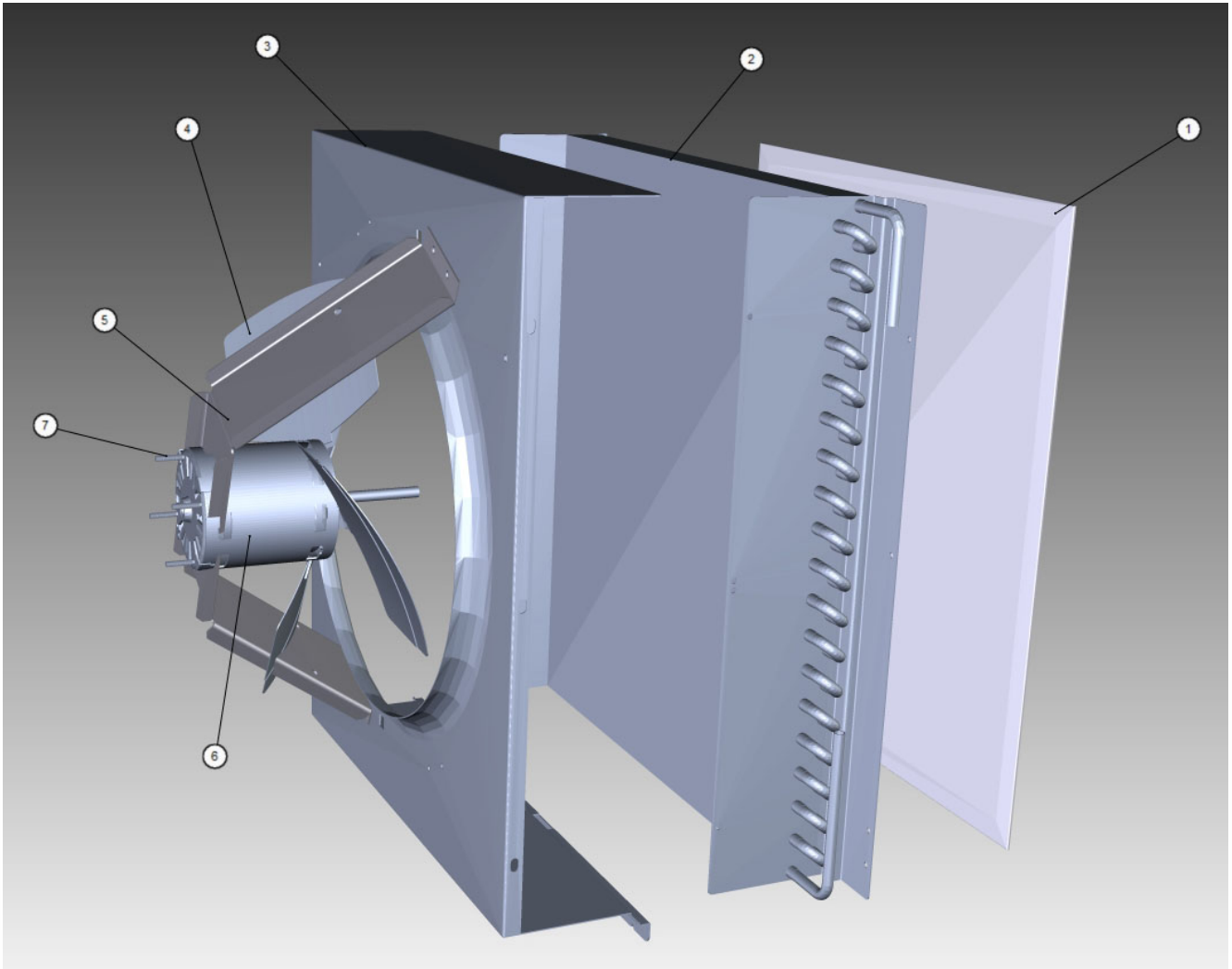


# KT0400

## KT0400 Refrigeration Compartment - Air-cooled Components



KT0400 Refrigeration Compartment - Air-cooled Components

KT0400 Air-cooled

**Manitowoc**

# KT0400

## KT0400 Refrigeration Compartment - Air-cooled Components

#	PART #	DESCRIPTION	QTY	Note
1	3005939	Air Filter - 16.8" x 12.81" - 60 Hz		[1]
1a	3005569	Air Filter - 14.29" x 16.94" - 50 Hz		[2]
2	000008832	Air Condenser		[3]
2a	000008850	Air Condenser		[4]
3	000010963	Fan Shroud		
4	2416203	Fan Blade		
5	000010977	Fan Motor Bracket		
6		Fan Motor		
6a	2412929	Fan Motor - 115V/60 Hz/1 Ph		[5]
6b	2412939	Fan Motor - 208-230V/50-60 Hz		[6]
7		Fan Motor Mounting		
7a	5033589	Screw		
7b	000000936	Mounting - NutMounting -		
8	5202069	Screw - #10-24 x 0.5" HEX		
9	000013531	Fan Cycling Control - 335-275 psig		

### PART NOTES:

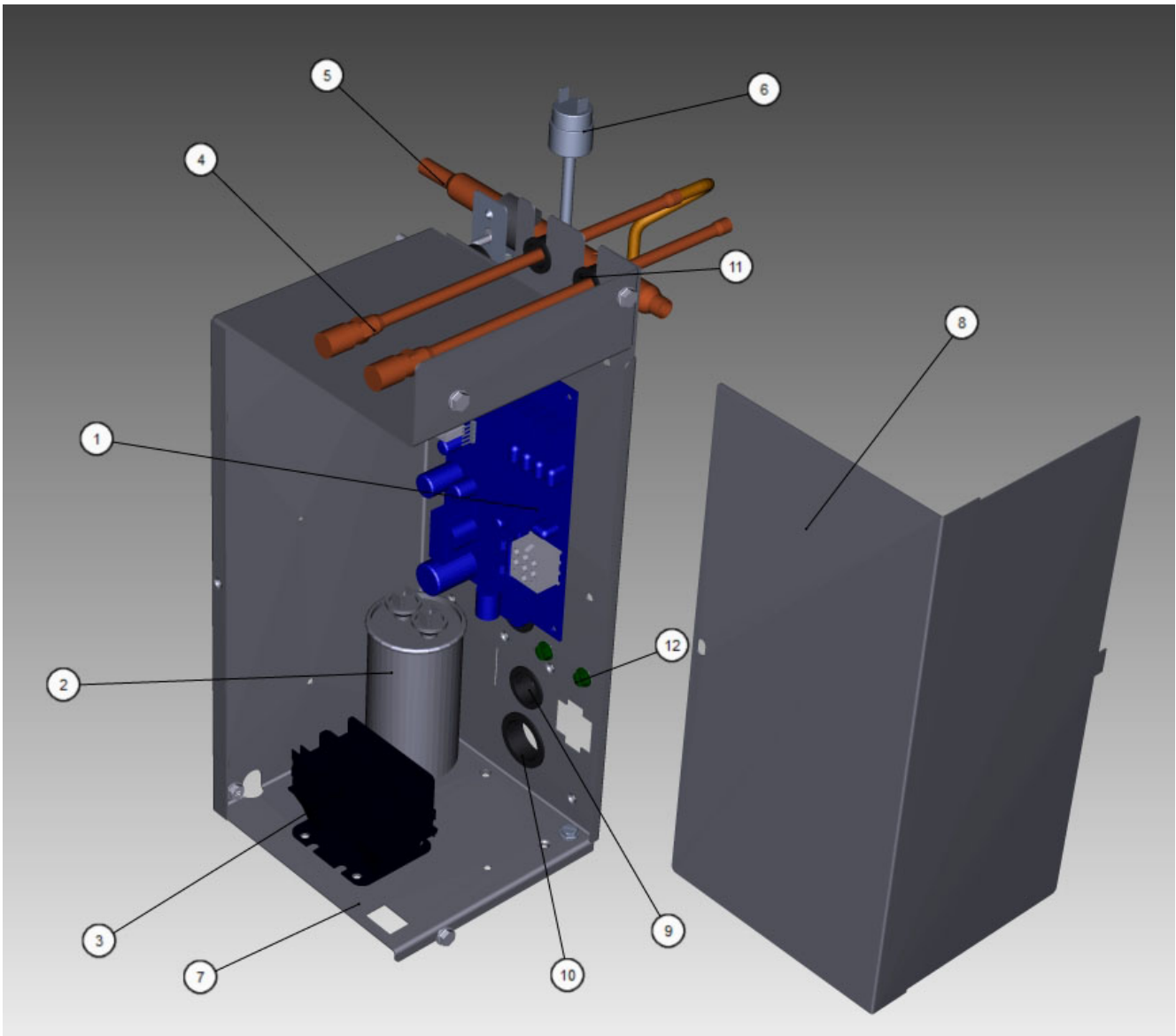
- [1] - 60 Hz Models
- [2] - 50 Hz Models
- [3] - 60 Hz
- [4] - 50 Hz
- [5] - Includes Nuts
- [6] - Includes Nuts.

---

KT0400 Refrigeration Compartment - Air-cooled Components

# KT0400

## KT0400 Control Box



KT0400 Control Box

KT0400 Control Box

**Manitowoc**

# KT0400

## KT0400 Control Box

#	PART #	DESCRIPTION	QTY	Note
1	000015302	Control Board Assembly		[1]
1a	000015010	Fuse - 3.15A		
1b	4302253	Control Board Mounting Supports		
2		Run Capacitor - See Note for Usage		
2a	000010708	Run Capacitor - 115-230V/50-60 Hz/1 Ph		[2]
2b	000011640	Run Capacitor - 230V/50-60 Hz/1 Ph		[3]
2c	000010715	Run Capacitor - 230V/50-60 Hz/1 Ph		[4]
2d	000010711	Bracket - Run Capacitor		
3		Contactors		
3a	2006589	Contactors - 115V/60 Hz/1 Ph		
3b	2006599	Contactors - 230V/50-60 Hz/1 Ph		
4	8373263	Access Valve - 7.25" L		
4a	7626843	Valve Cores		
4b	000012264	Refrigeration Service Valve Assembly - 0.3125"		
5	000011170	Manifold Strainer		
5a	6058571	Bracket - Access Valves/Manifold Strainer		
5b	000010699	Grommet - Manifold Strainer		
6	000013576	High Pressure Cut-out 450-600 psig		
7	000013819	Control Box		
9	000012138	Control Box Cover		
10	2501409	Bushing - 0.875"		
11	2500019	Bushing - 1.187"		
12	2502189	Bushing - 0.625"		
13	5202169	Screw - #10-24 x 0.5" Ground		
14	2007939	Toggle Switch		
16	000013531	Fan Cycling Control - 335-275 psig		
15		Wiring Harness		
15a	000013969	Control Box Wiring Harness - 115V/60 Hz/1 Ph		
15b	000013971	Control Box Wiring Harness - 230V/60 Hz/1 Ph		
15c	000013970	Control Box Wiring Harness - 230V/50 Hz/1 Ph		
15d	000011182	Wiring Harness - Compressor - Samsung		
15e	000010724	Wiring Harness - Toggle Switch		
15f	000010511	Wiring Harness - Float Switch to Control Box		
15g	000007185	Wiring Harness - Compressor Compartment - Air-cooled		
15h	000007177	Wiring Harness - Compressor Compartment - Water-cooled		
16	2006143	Terminal Block - 50 Hz - 3 Pole		[5]
17	000014323	PTCR - 12A		
17a	8505013	PTCR Mounting Bracket		
17b	5004129	Screw - #6 x 0.5"		
18	000011143	Overload Protector - 230V/60 Hz/1 Ph		

### PART NOTES:

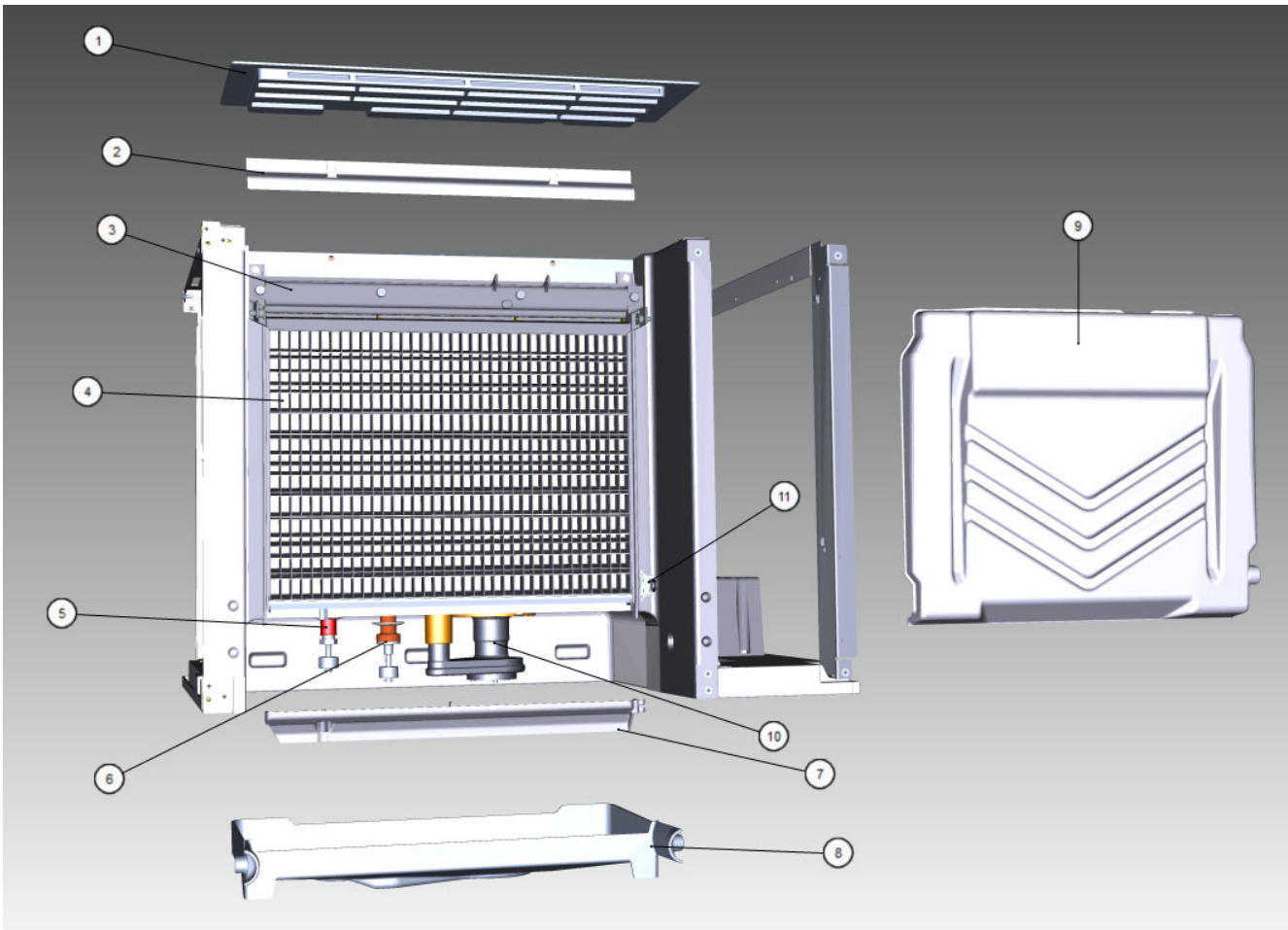
- [1] - Includes board and instructions.
- [2] - 115V/60 Hz
- [3] - 230V/50 Hz Models
- [4] - 230V/60 Hz Models
- [5] - 50 Hz Only

---

## KT0400 Control Box

# KT0400

## KT0400 Evap Comp



KT0400 Evap Comp

KT0400 Evap Comp

# KT0400

## KT0400 Evap Comp

#	PART #	DESCRIPTION	QTY	Note
1	00009055	Foodzone Seal Panel - 30"		[1]
2	4008469	Evaporator Top Filler Panel		[2]
2a	5202099	Screw - #10-24 x 0.5" PHIL		
3	7602789	Water Distribution Tube - 22"		
3a	5004799	Thumbscrew SS - #8-32 x 0.375"		
3b	5004629	O-Ring - 0.125" ID		
4		Evaporator Assembly		
4a	7602879	Evaporator - Dice Cube		
4b	7602889	Evaporator - Half Dice Cube		
4c	5004619	Screw - #12-16 x 0.687"		
5	000012651	Ice Thickness Float		
5a	000010630	Bracket - Ice Thickness Float		
6	000012649	Harvest Float		
6a	000010818	Bracket - Harvest Float		
7	7602779	Water Diverter - 22" Models		
7a	5305123	Thumbscrew SS - #8-32 x 0.44"		
8	000010828	Water Trough - 30"		
9	4011189	Water Curtain		
10		Water Pump - See Note for Usage		
10a	8251129	Water Pump - 115V/60 Hz		[3]
10b	2008939	Water Pump - 230V/60 Hz		[4]
10b	8252109	Water Pump - 230V/50-60 Hz		[5]
10c	000010244	Water Pump Mount		
10d	5004659	Water Pump Base O-Ring - 4.00" ID		
10e	5004679	Water Pump Outlet O-Ring - 0.875" ID		
11	000010510	Magnetic Bin Switch		
12	7602799	Evaporator Top Frame Assembly - 22"		[6]
13	4010463	Evaporator Bottom Frame Assembly		
13a	5429139	Hex Nut - #8-32 Brass		

### PART NOTES:

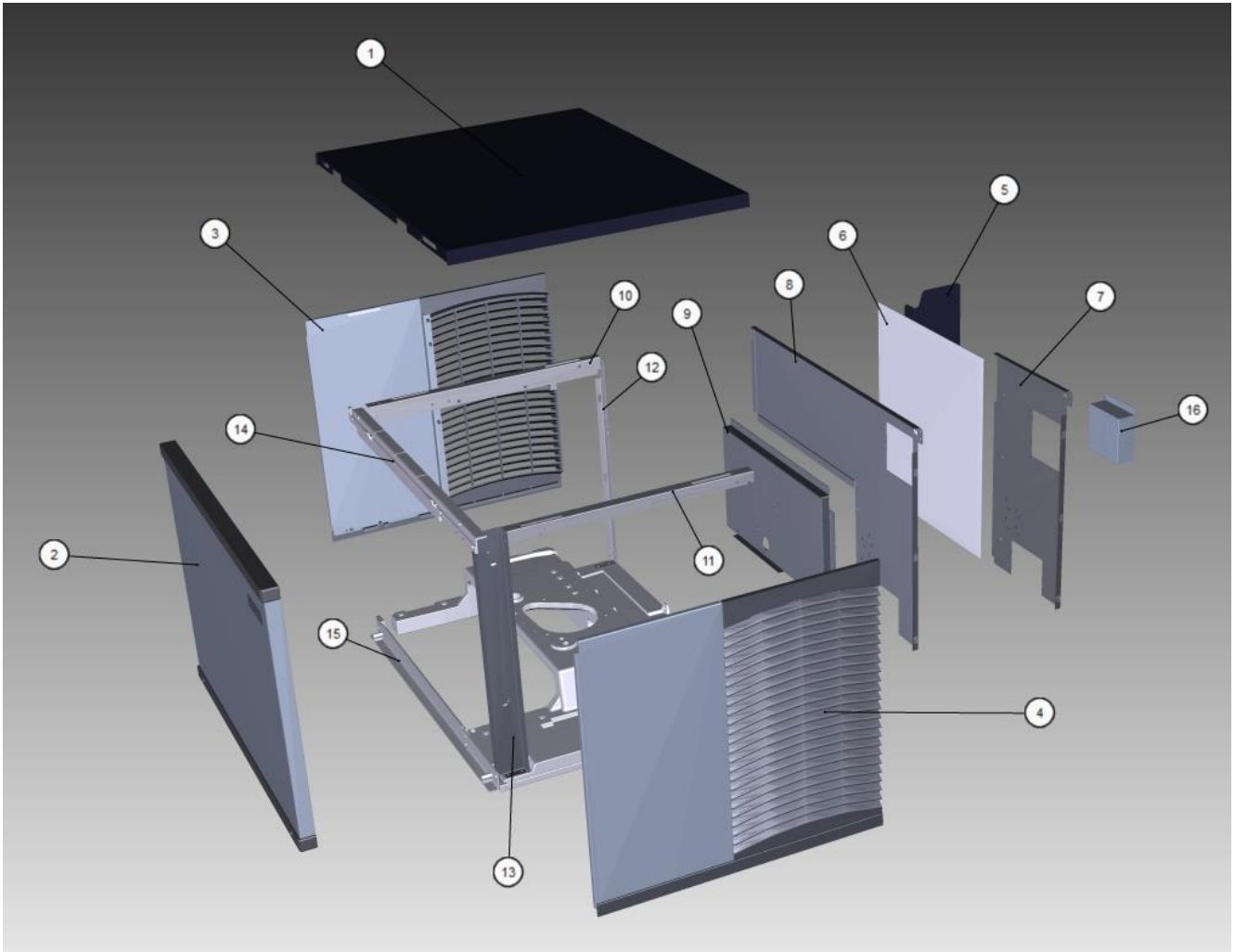
- [1] - Snaps into Place
- [2] - Includes Cover and Instructions
- [3] - Includes o-rings.
- [4] - Includes O-Rings
- [5] - Includes o-rings.  
230V/50 Hz
- [6] - Includes top frame disks and hex nuts.

---

KT0400 Evap Comp

# KT0400

## KT0400 Panels



KT0400 Panels

KT0400 Panels

**Manitowoc**

# KT0400

## KT0400 Panels

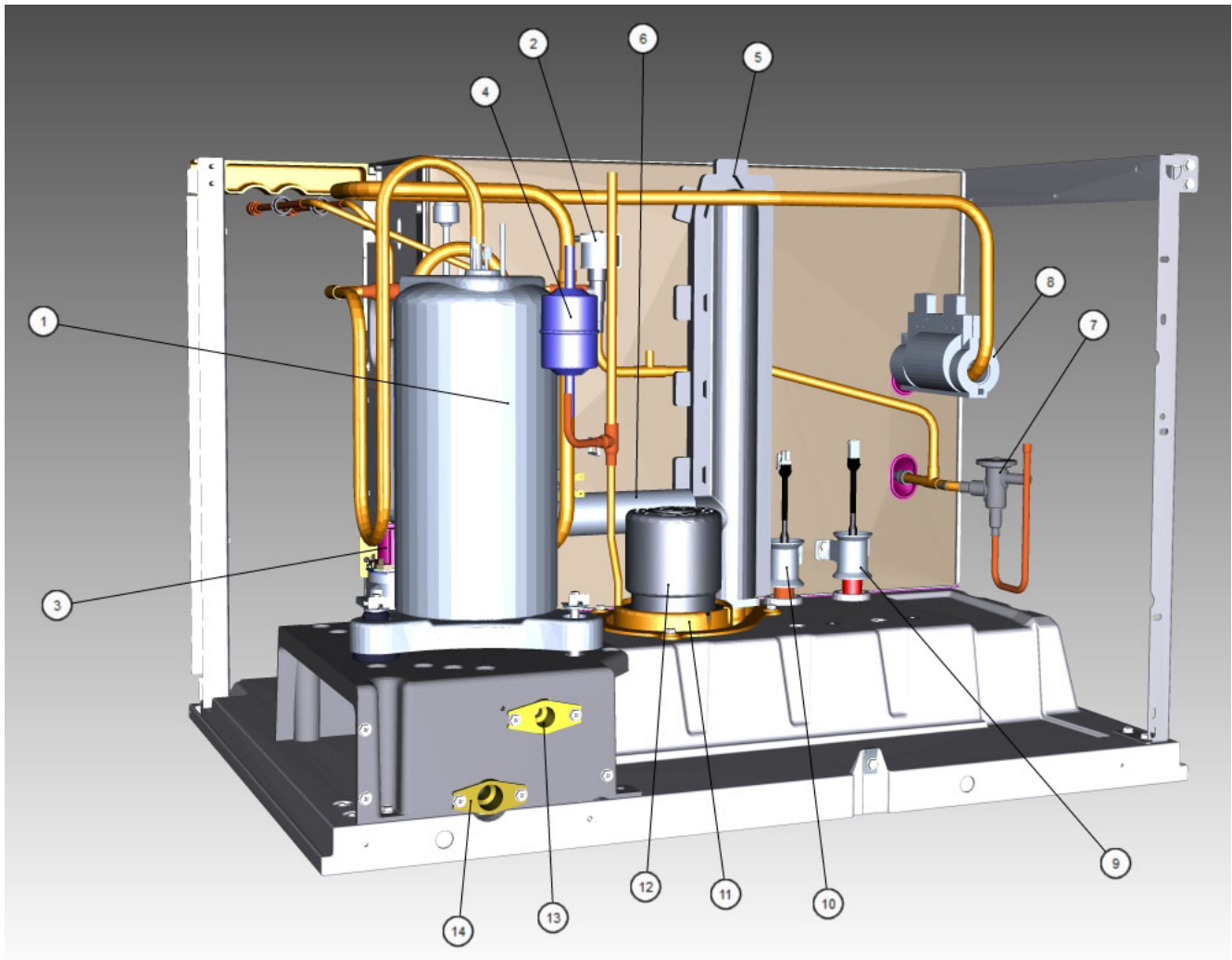
#	PART #	DESCRIPTION	QTY	Note
1	000010523	Top Cover		
2	000012139	Front Panel		
2a	000010600	Door - Drip Lip		
2b	000010293	Front Panel Mounting Brackets		
2c	000008023	Screw - #8-32 x 0.875"		
3	000011272	Left Side Panel		[1]
4	000011271	Right Side Panel		[2]
5	000007314	Air Baffle Assembly		
6		Air Filter - See Notes for Usage		
6a	3005939	Air Filter - 16.8" x 12.81"		[3]
6b	3005569	Air Filter - 14.29" x 16.94"		[4]
7		Back Panels - See Notes for Usage		
7a	000011084	Back Panel - Air-cooled		[3]
7b	000012033	Back Panel - Air-cooled		[4]
8	000011092	Back Panel - Water-cooled and Remote Air-cooled		
9	000010603	Back Coupling Panel - Water-cooled/Remote		
10	6068649	Left Top Channel		
11	000011032	Right Top Channel		
12	000011100	Left Corner Post		
13	000011326	Right Corner Post		
14	000010269	Front Top Support		
15	000010268	Bottom Door Frame		
15a	000001127	Tapping Plate - Panel Hinge Screws		
16	6067289	Rear Connection Box		
16a	6067299	Cover - Rear Connection Box		
17	000012225	Cartoning		
18	000012003	Bulkhead Gasket		

### PART NOTES:

- [1] - Includes panel louver, panel trim bottom, left side panel and dual lock-low profile fastener.
- [2] - Includes panel louver, panel trim bottom, right side panel and dual lock-low profile fastener.
- [3] - 60 Hz Models
- [4] - 50 Hz Models

# KT0400

## KT0400 Refrigeration Compartment - Common Components



KT0400 Refrigeration Compartment - Common Components

KT0400 Refrigeration Compartment

**Manitowoc**

# KT0400

## KT0400 Refrigeration Compartment - Common Components

#	PART #	DESCRIPTION	QTY	Note
1		Compressor		
1a	000010315	Compressor - Samsung - 115V/60 Hz/1 Ph		
1b	000011145	Overload Protector - 115V/60 Hz/1 Ph		
1c	000010464	Compressor - Samsung - 230V/50 Hz/1 Ph		
1d	000010316	Compressor - Samsung - 208-230V/60 Hz/1 Ph		
1e	000011143	Overload Protector - 230V/60 Hz/1 Ph		
2		Harvest Valves		
2aa		Harvest Valve - Danfoss		[1]
2ab	000007027	Solenoid Valve 0.375" x 0.375" Including 115V/60 Hz Electrical Coil		[2]
2ac	000005156	Solenoid Valve Coil Only - 115V/60 Hz		
2ad	000007026	Solenoid Valve 0.375" x 0.375" Including 208-230V/50-60 Hz Electrical Coil		[2]
2ae	000005157	Solenoid Valve Coil Only - 230V/50-60 Hz		
2b		Harvest Valve - Sanhua		[3]
2ba	000017684	Solenoid Valve 0.375" x 0.375" Including 115V/60 Hz Electrical Coil		
2bb	000016625	Solenoid Valve Coil Only - 115V/60 Hz		
2bc	000017686	Solenoid Valve 0.375" x 0.375" Including 208-230V/50-60 Hz Electrical Coil		
2bd	000016626	Solenoid Valve Coil Only - 230V/50-60 Hz		
3		Water Dump Valve		
3a	000014062	Water Dump Valve - 115V/60 Hz		
3b	000014063	Water Dump Valve - 208-230V/50-60 Hz		
3c	6058459	Mounting Bracket - Water Dump Valve		
3d	4420383	Clear Tubing - 0.625" ID		
4	000015361	Drier with Access Port - 0.25"		
5,6	000015402	Insulated Tube		
7a	000012224	Expansion Valve - Danfoss		[4]
7aa	000012443	Valve Insulation Boot - Body - Danfoss		
7b	000017688	Expansion Valve - Sporlan - USE UP		[5]
7ba	000016441	Valve Insulation Boot - Body - Sporlan		
8	000002719	Valve Insulation Boot - Bulb - Danfoss		
9	000012651	Ice Thickness Float		
9a	000010630	Bracket - Ice Thickness Float		
10	000012649	Harvest Float		
10a	000010818	Bracket - Harvest Float		
11	000010244	Water Pump Mount		
12		Water Pump		
12a	8251129	Water Pump - 115V/60 Hz		[6]
12b	8252109	Water Pump - 230V/50-60 Hz		[6]
12c	2008939	Water Pump - 230V/60 Hz		[7]
13	8706093	Female Wing Adapter - Brass - 0.375"		[8]
14	000005423	Female Wing Adapter - 0.5"		
15		Water Inlet Valve		
15a	000009120	Water Inlet Valve - 115V/60 Hz/1 Ph		[9]
15b	4420291	Tygon Tube - 0.25" OD		
15c	4010439	Tubing - Water Inlet Valve		

---

## KT0400 Refrigeration Compartment - Common Components

# KT0400

## KT0400 Refrigeration Compartment - Common Components

#	PART #	DESCRIPTION	QTY	Note
16	5650609	Snap Clamp - 1.0" ID		
17	5650709	Snap Clamp - 0.8" x 0.9" ID		
18	000001382	Vinyl Tubing 0.625" ID		
18a	6038831	Insulation - 0.88" ID x 0.25" W x 13.5" L		
19	1360961	Male Connector - 0.375"		
20	5650529	Clamp - Expansion Valve Bulb		
21	3000833	Strap - Expansion Valve Bulb - 0.375"		
22	5202069	Screw - #10-24 x 0.5" HEX		
23	000008346	Compressor Base		
24	000011505	Terminal Cover		
24a	000011506	Terminal Cover Gasket		
24b	000010854	Terminal Cover Nut		

### PART NOTES:

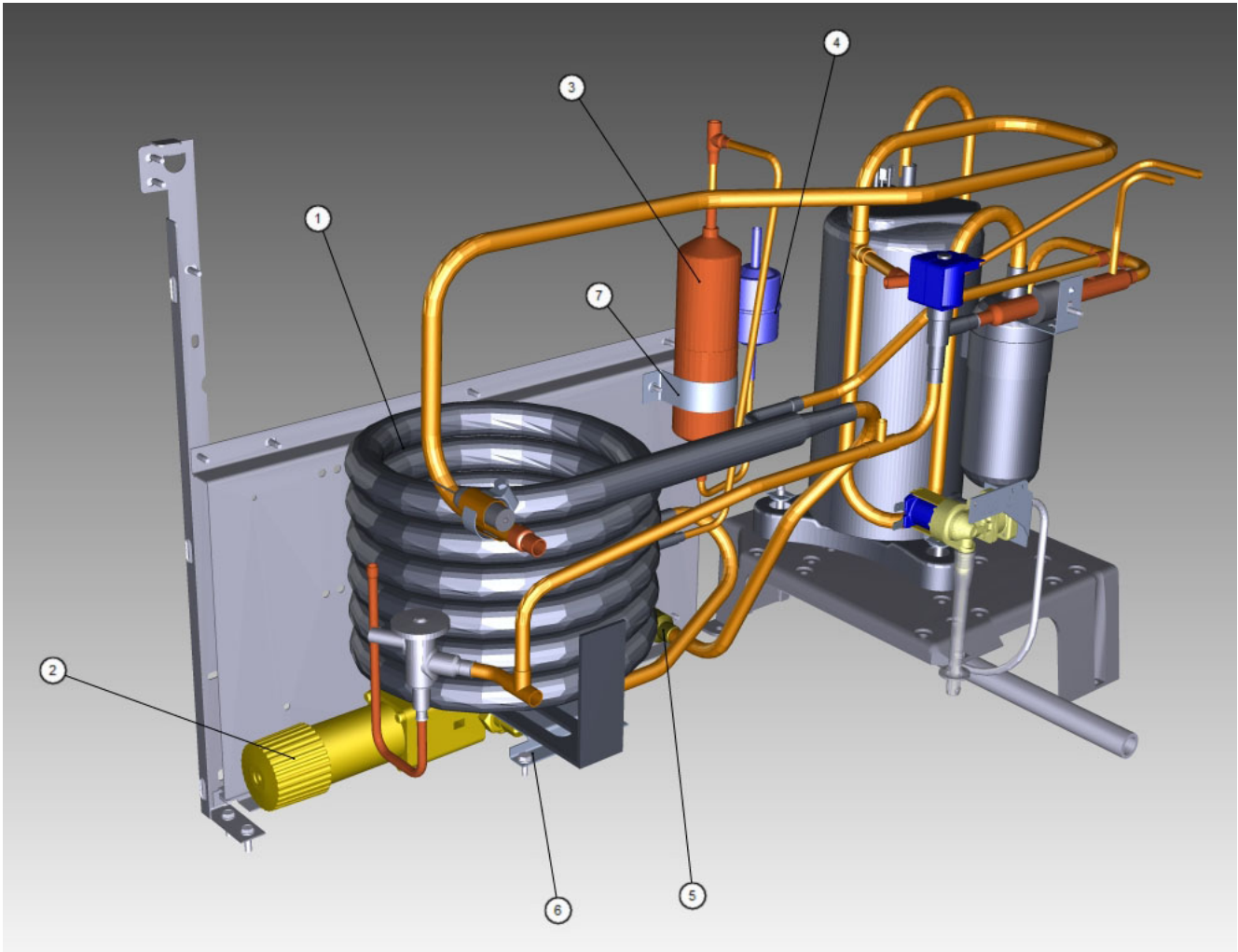
- [1] - Replace Danfoss Valves with Danfoss Valves.
- [2] - Without Screen
- [3] - Replace Sanhua Valves with Sanhua Valves.
- [4] - Replace Danfoss and/or Sporlan Expansion Valves with Danfoss Expansion Valves.
- [5] - No Longer Available  
Replace Sporlan Expansion Valves with Danfoss Expansion Valves.
- [6] - Includes o-rings.
- [7] - Includes O-Rings
- [8] - Brass  
  
If replacing a nylon fitting you must order 1360961
- [9] - 0.5 gpm  
  
Includes water valve inlet, bracket, screws, adapter and locking clip.

---

KT0400 Refrigeration Compartment - Common Components

# KT0400

## KT0400 Refrigeration Compartment - Water-cooled Components



KT0400 Refrigeration Compartment - Water-cooled Components

KT0400 Water-cooled

**Manitowoc**

# KT0400

## KT0400 Refrigeration Compartment - Water-cooled Components

#	PART #	DESCRIPTION	QTY	Note
1	00000045	Water-cooled Condenser		
2	000013475	Water Regulating Valve - 0.375"		
3	000008892	Receiver		
4	8930259	Drier without Access Port - 0.25"		
5	8706083	Female Wing Adapter - Brass - 0.5"		
6	000010604	Mounting Base - Water Condenser or Receiver Condenser Mounting		
7	6000541	Receiver Strap		
8	5002249	Elbow - 0.5" MF x 0.375" MPT		
9	5202069	Screw - #10-24 x 0.5" HEX		
10	5573419	Washer		
11	5003883	Flare Nut - 0.5"		

---

KT0400 Refrigeration Compartment - Water-cooled Components