



HOSHIZAKI

Parts List

Steelheart Series
Refrigerated Kitchen Equipment

Models

PR46B(-D2)

PR60B(-D2)(-D4)

PR67B(-D2)(-D4)

PR93B(-D2)(-D4)(-D6)



hoshizakiamerica.com

Number: 71441
Issued: 5-25-2022
Revised: 1-9-2026

CONTENTS

Auxiliary Codes.....	3
Note About Ordering Parts	4
A. Main Assembly	5
PR46B(-D2)	5
PR60B(-D2)(-D4)	6
PR67B(-D2)(-D4)	7
PR93B(-D2)(-D4)(-D6)	8
B. Refrigeration Circuit.....	12
C. Door-Right Hinged.....	14
D. Door-Left Hinged	16
E. Drawer Assembly	17
F. Accessories & Labels.....	18

Auxiliary Codes

PR46B

L-5 July 2021
M-5 May 2022
N-6 April 2023
P-5 January 2024
Q-5 January 2025
Q-6 July 2025
Q-8 December 2025
R-5 January 2026

PR46B-D2

M-5 May 2022
N-6 March 2023
P-5 January 2024
Q-5 January 2025
Q-6 August 2025
Q-7 November 2025
R-5 January 2026

PR60B

L-5 July 2021
M-5 June 2022
N-5 February 2023
N-6 March 2023
P-5 January 2024
Q-5 February 2025
Q-6 July 2025
Q-7 November 2025
R-5 January 2026

PR60B-D2

P-5 April 2024
Q-5 January 2025
Q-6 July 2025

PR60B-D4

M-5 July 2022
N-6 March 2023
P-5 February 2024
Q-5 January 2025
Q-6 July 2025
Q-7 November 2025

PR67B

L-5 July 2021
N-5 July 2023
P-5 February 2024
Q-5 January 2025
Q-6 July 2025

PR67B-D2

M-5 August 2022
N-5 March 2023
P-5 January 2024
Q-5 January 2025
Q-6 October 2025

PR67B-D4

M-5 August 2022
N-5 March 2023
P-5 March 2024
Q-5 January 2025
Q-6 September 2025
Q-7 November 2025

PR93B

L-5 December 2021
N-5 April 2023
P-5 July 2024
Q-5 February 2025
Q-6 July 2025
Q-7 November 2025

PR93B-D2

P-5 May 2025

PR93B-D4

P-5 March 2024
Q-5 March 2025
Q-6 September 2025

PR93B-D6

P-5 May 2024

***M-5 Auxiliary Code Change for PR46B and PR60B**

PR46B - M50053H to M50072H
PR60B - M50008H to M50019H

Cabinet Control Module - 4A7053G01
Cabinet Thermistor - 4A4864-02
Retainer Clips - 4A5502-01
Terminal Plug - 4A6229-01

***P-5 Auxiliary Code Change**

PR46B - P50144K and later
PR46B-D2 - P50106K and later
PR60B - P50134K and later
PR60B-D2 - P50005K and later
PR67B-D2 - P50011K and later
PR67B-D4 - P50036K and later

Cabinet Control Module - 4A7999-01
Cabinet Thermistor - 4A7084-01

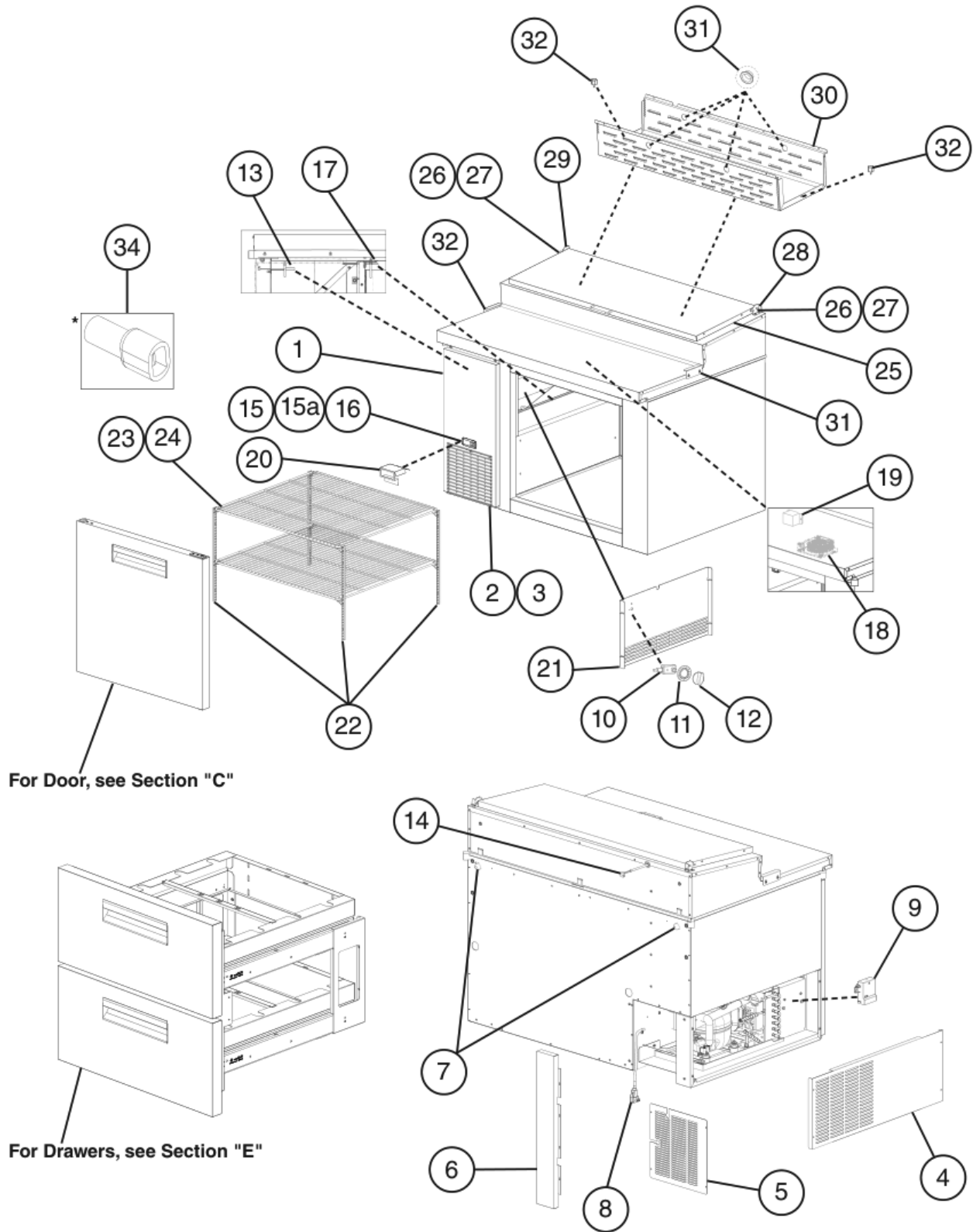
Auxiliary Code Breakdown

The auxiliary code is the first two characters in the serial number. The first character indicates the year. Years progress or regress in alphabetical order. The series runs from "A" through "V" and the letters "I" and "O" are skipped. The second character indicates significant part changes within a year. Base is "5" and this number advances for each change. In cases where there is a letter in parentheses, this designates the month. This is the last character in the serial number. The series runs from "(A)" through "(M)" and the letter "(I)" is skipped. This designation is only included when identifying a parts change within an auxiliary code.

Note About Ordering Parts

Most assemblies cannot be ordered as complete units; parts in the assemblies generally must be ordered separately.

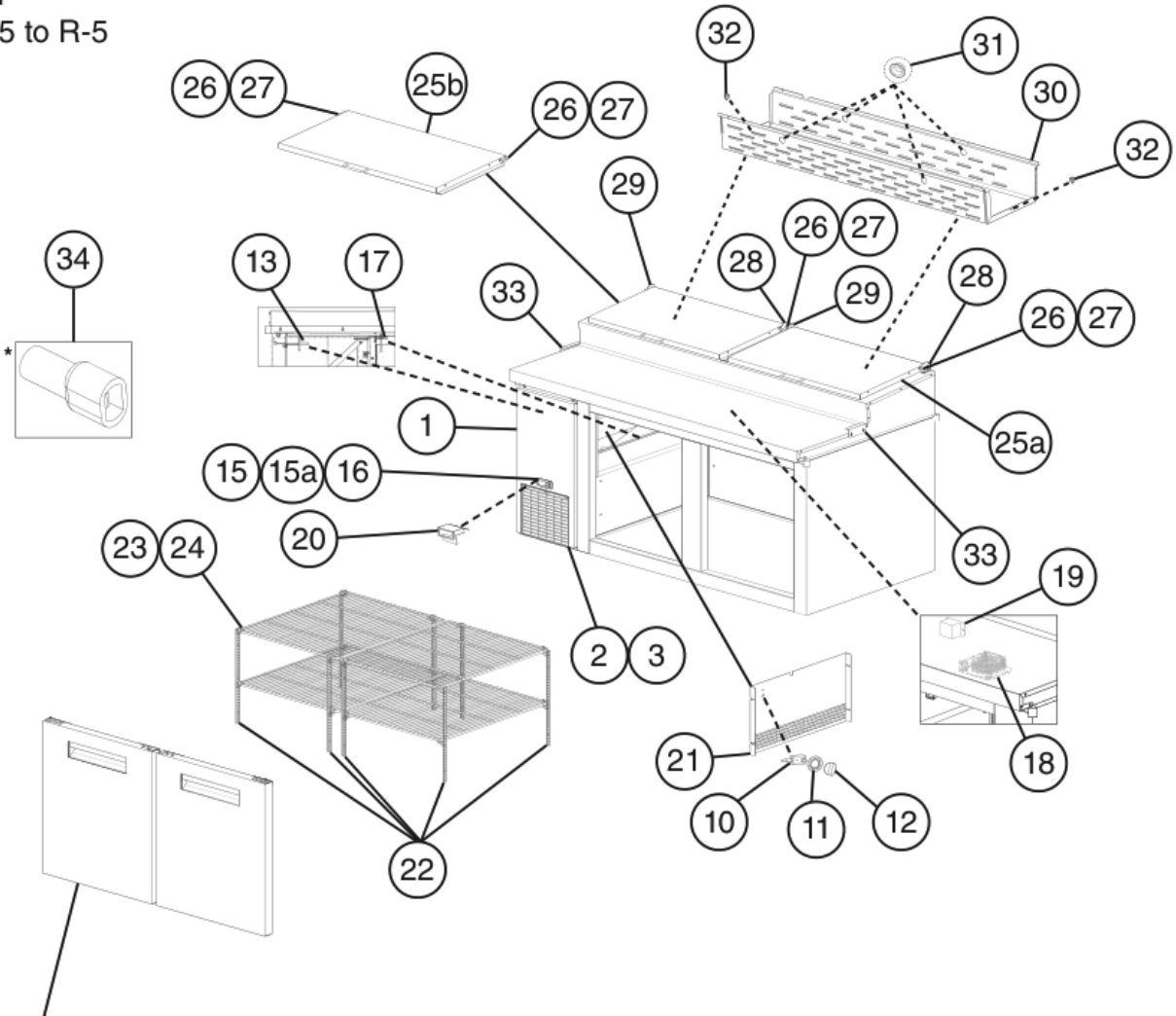
A. Main Assembly
PR46B(-D2)
1/4
 L-5 to R-5



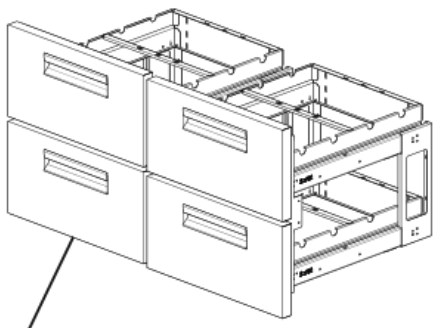
A. Main Assembly
PR60B(-D2)(-D4)

2/4

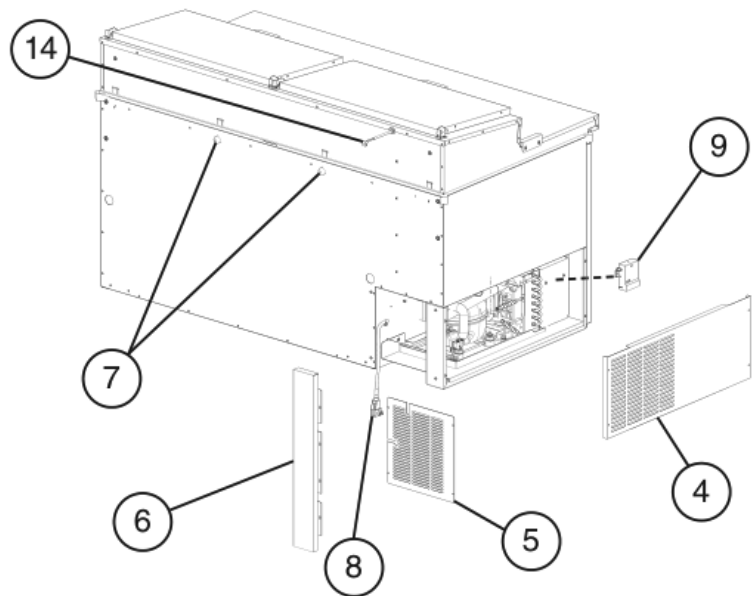
L-5 to R-5



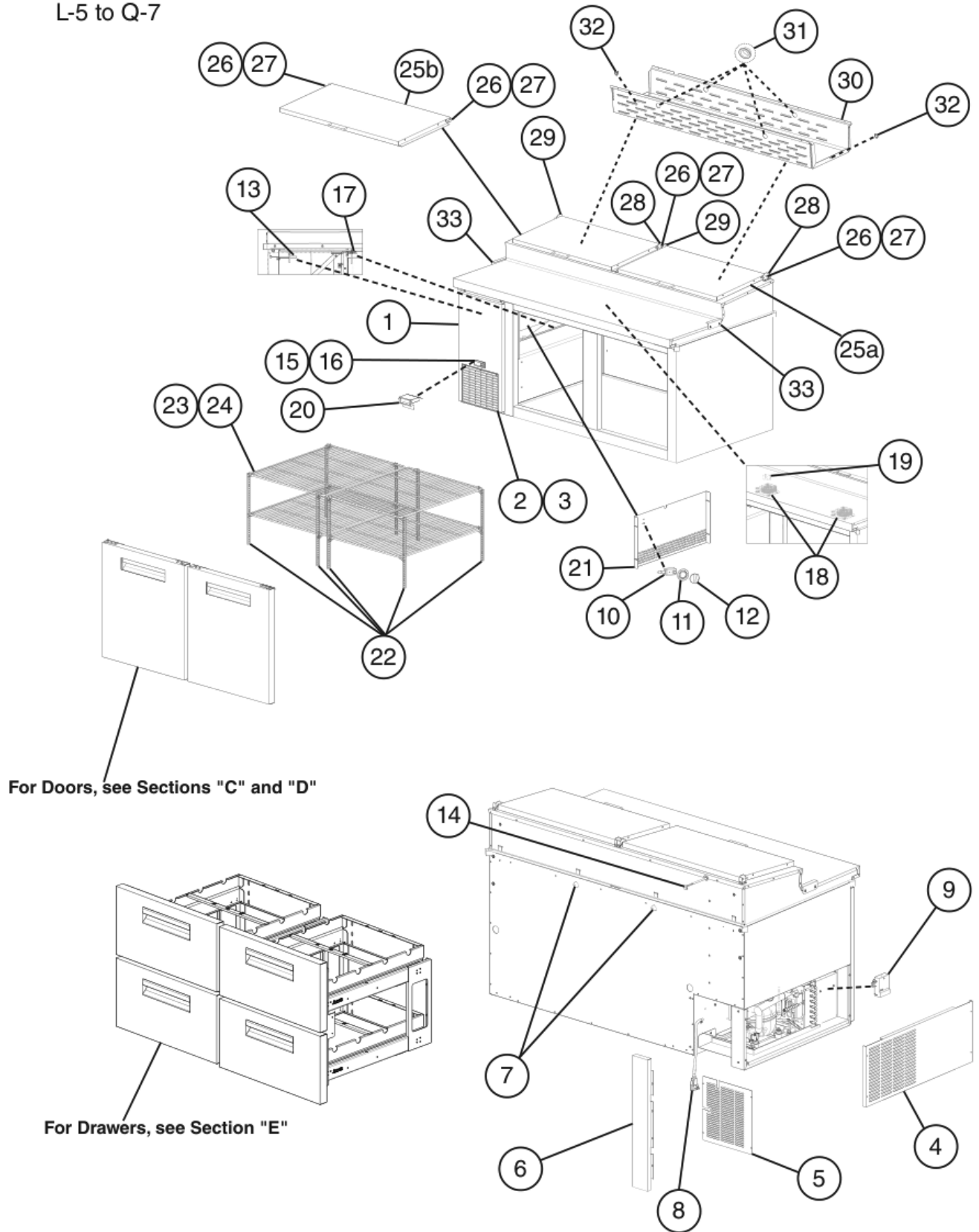
For Doors, see Sections "C" and "D"



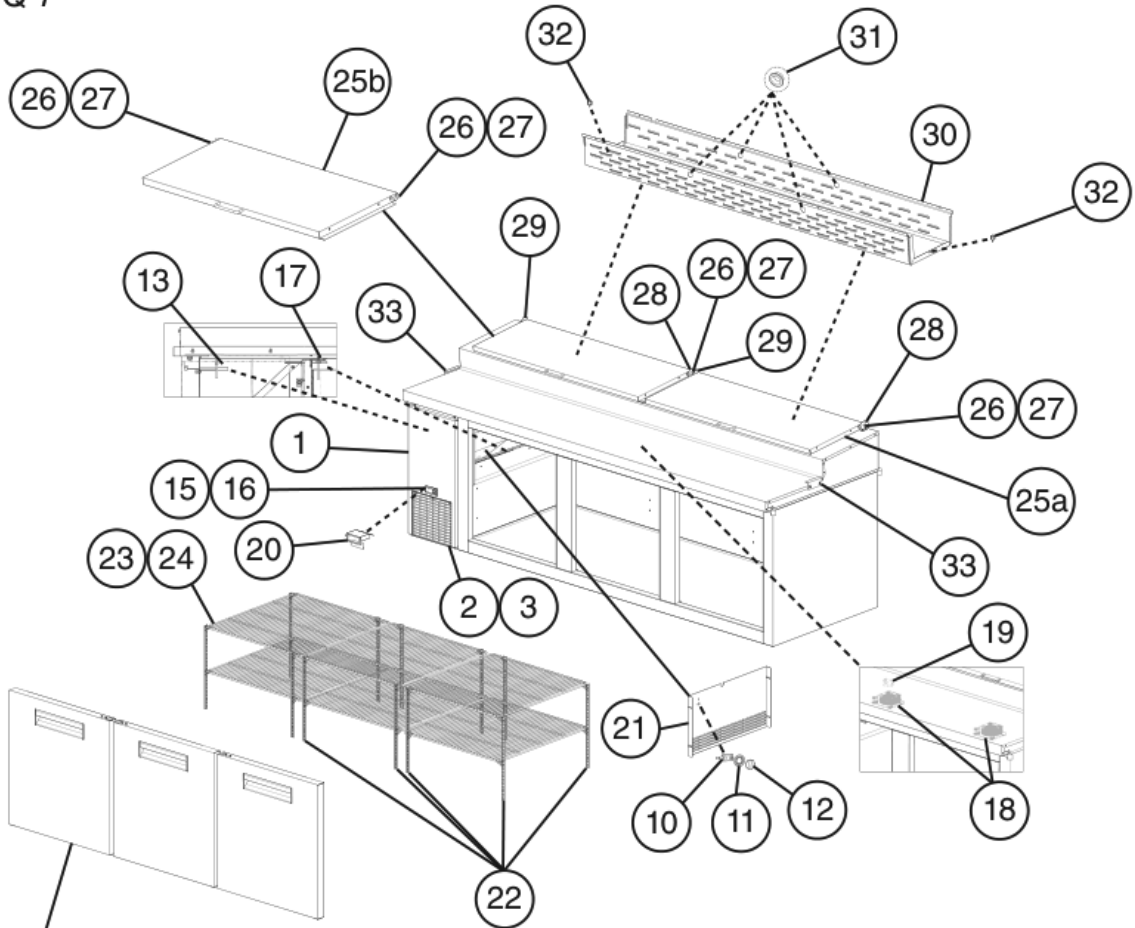
For Drawers, see Section "E"



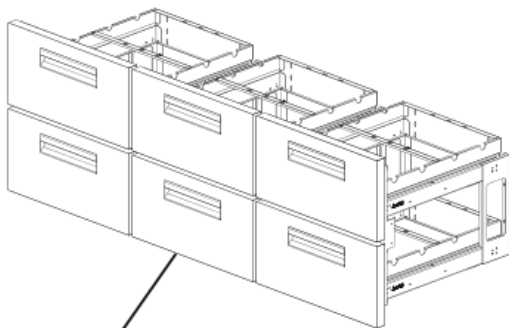
A. Main Assembly
PR67B(-D2)(-D4)
3/4
 L-5 to Q-7



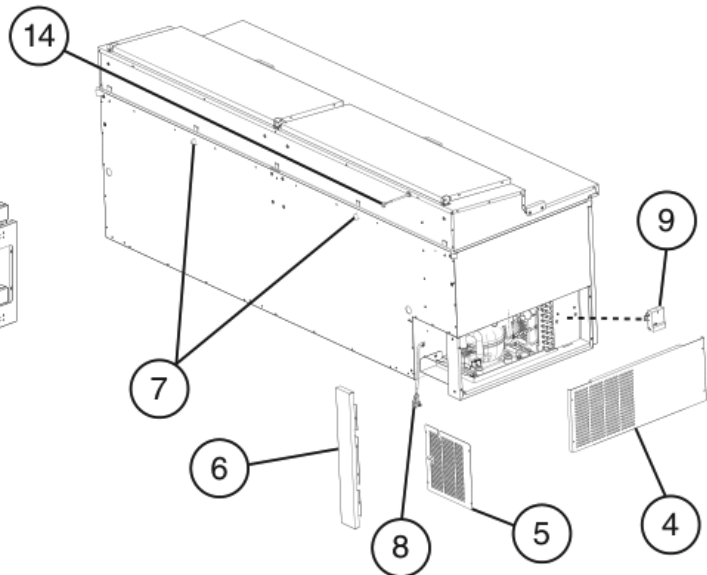
A. Main Assembly
PR93B(-D2)(-D4)(-D6)
4/4
 L-5, Q-7



For Doors, see Sections "C" and "D"



For Drawers, see Section "E"



Title: A. Main Assembly Models: PR46B(-D2), PR60B(-D2)(-D4), PR67B(-D2)(-D4), PR93B(-D2)(-D4)(-D6)										
Index No.	Description	Material or Model Number	Part Number	Required Number						
				L-5 to M-5 (C)	M-5 (D) to P-5	P-5 to Q-6	Q-7	R-5		
1	Front Panel (includes items 2 and 3)		3B1381G01	1	1	1	1	1		
2	Louver		103344-07	1	1	1	1	1		
3	Air Filter		208840G03	1	1	1	1	1		
4	Left Side Panel		2A9985-01	1	1	1	1	1		
5	Rear Louver Panel		3B0980-01	1	1	1	1	1		
6	Rear Cover		3B0983-01	1	1	1	1	1		
7	Bumper		3A6696-01	2	2	2	2	2		
8	Wire Harness (includes power supply cord)		3B0725-01	1	1	1	1	1		
9	Rail Control Module		4A7063G01	1	1	1	1	1		
10	Rail Temperature Control		4A5952-01	1	1	1	1	1		
11	Rail Temperature Control Dial Plate		4A7064-01	1	1	1	1	1		
12	Rail Temperature Control Knob		4A5950-01	1	1	1	1	1		
13	Rail Thermistor		4A4864-02	1	1	1	1	1		
14	Rail Light Sensor		4A7044-01	1	1	1	1	1		
15	Cabinet Control Module (includes items 15a and 16)		4A7053G01	1	-					
			4A7178-01		*1	-				
			4A7758G01			*1	1	-		
			4A7999-01					1		
15a	Retainer Clip		4A5502-01	2	2*	-				
			4A7085-01		2*	2	2	2		
16	Control Module Gasket		4A7127-01	1	1	1	1	1		
17	Cabinet Thermistor		4A4864-02	1	1*					
			4A7084-01		1*	1	1	1		
18	Cabinet Fan	PR46B(-D2)	4A7041-01	1	1	1	1	1		
		PR60B(-D2)(-D4) PR67B(-D2)(-D4)	4A6192-01	1	1	1	1	1		
		PR93B(-D2)(-D4)(-D6)		2	2	2	2	2		
19	Cabinet Fan Relay		4A7047-01	1	1	1	1	1		
20	Deflector		3B1541-01	1	1	1	1	1		
21	Evaporator Shroud		3B1382G01	1	1	1	-			
			3B2494G01				1	1		
22	Pilaster	PR46B PR60B-D2 PR67B-D2 PR93B-D4	4A5583-01	4	4	4	4	4		
		PR60B PR67B PR93B-D2		8	8	8	8	8		
		PR93B		12	12	12	12	12		

*See page 4: "Cabinet Control Module, Cabinet Thermistor, Retainer Clips, and Terminal Plug Change"

Title: A. Main Assembly Models: PR46B(-D2), PR60B(-D2)(-D4), PR67B(-D2)(-D4), PR93B(-D2)(-D4)(-D6)										
Index No.	Description	Material or Model Number	Part Number	Required Number						
				L-5 to M-5 (C)	M-5 (D) to P-5	P-5 to Q-6	Q-7	R-5		
23	Shelf	PR46B	3A2830-13	2	2	2	2	2		
		PR60B	3A2830-21	4	4	4	4	4		
		PR60B-D2		2	2	2	2	2		
		PR67B-D2	3A2830-12	2	2	2	2	2		
		PR93B-D4								
		PR67B		4	4	4	4	4		
		PR93B-D2								
		PR93B		6	6	6	6	6		
24	Shelf Clip	PR46B	4A5418-01	8	8	8	8	8		
		PR60B-D2								
		PR67B-D2								
		PR93B-D4								
		PR60B		16	16	16	16	16		
		PR67B								
		PR93B-D2								
		PR93B		24	24	24	24	24		
25	Rail Cover (includes items 26 and 27)	PR46B(-D2)	3B1386G01	1	1	1	1	1		
25a	Right Rail Cover (includes half of items 26 and 27)	PR60B(-D2)(-D4)	2B0027A01	1	1	1	1	1		
		PR67B(-D2)(-D4)	2A9578A01	1	1	1	1	1		
		PR93B(-D2)(-D4)(-D6)	2A9575A01	1	1	1	1	1		
25b	Left Rail Cover (includes half of items 26 and 27)	PR60B(-D2)(-D4)	3B1387G01	1	1	1	1	1		
		PR67B(-D2)(-D4)	3B1388G01	1	1	1	1	1		
		PR93B(-D2)(-D4)(-D6)	3B1389G01	1	1	1	1	1		
26	Pivot Pin	PR46B(-D2)	4A4768-01	4	4	4	4	4		
		PR60B(-D2)(-D4)		8	8	8	8	8		
		PR67B(-D2)(-D4)								
		PR93B(-D2)(-D4)(-D6)								
		PR46B(-D2)	4A4769-01	4	4	4	4	4		
27	Pivot Bolt	PR60B(-D2)(-D4)		8	8	8	8	8		
		PR67B(-D2)(-D4)								
		PR93B(-D2)(-D4)(-D6)								
28	Right Rail Cover Bracket	PR46B(-D2)	3B1432-02	1	1	1	1	1		
		PR60B(-D2)(-D4)		2	2	2	2	2		
		PR67B(-D2)(-D4)								
		PR93B(-D2)(-D4)(-D6)								
		PR46B(-D2)	3B1432-01	1	1	1	1	1		
29	Left Rail Cover Bracket	PR60B(-D2)(-D4)		2	2	2	2	2		
		PR67B(-D2)(-D4)								
		PR93B(-D2)(-D4)(-D6)								
30	Rail Duct	PR46B(-D2)	1A6515-01	1	1	1	1	1		
		PR60B(-D2)(-D4)	1A7082-01	1	1	1	1	1		
		PR67B(-D2)(-D4)	1A6517-01	1	1	1	1	1		
		PR93B(-D2)(-D4)(-D6)	1A6518-01	1	1	1	1	1		
31	Rail Duct Bushing		420470-12	4	4	4	4	4		
32	Thumbscrew		415949G08	2	2	2	2	2		

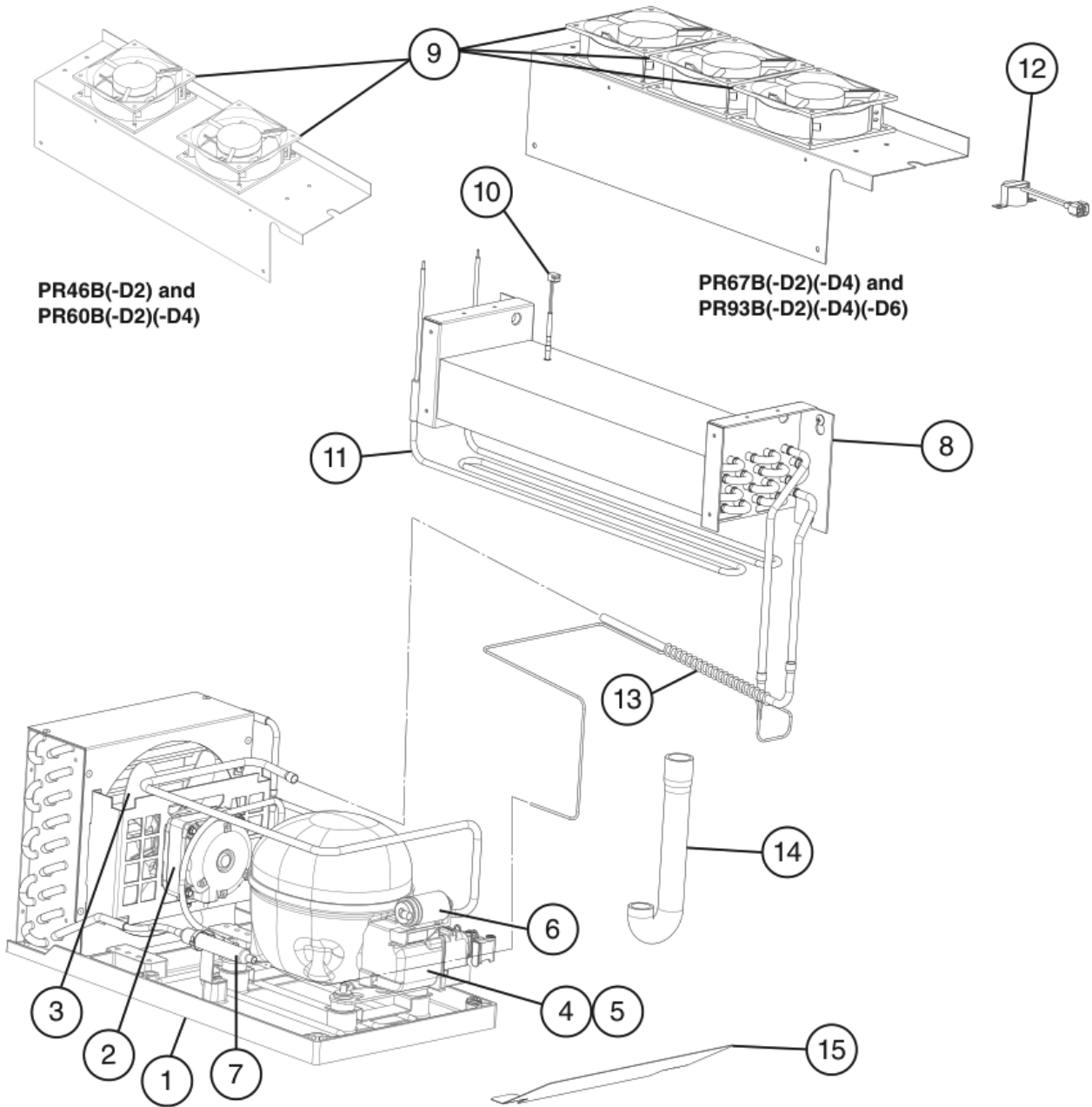
*See page 4: "Cabinet Control Module, Cabinet Thermistor, Retainer Clips, and Terminal Plug Change"

Title: A. Main Assembly Models: PR46B(-D2), PR60B(-D2)(-D4), PR67B(-D2)(-D4), PR93B(-D2)(-D4)(-D6)										
Index No.	Description	Material or Model Number	Part Number	Required Number						
				L-5 to M-5 (C)	M-5 (D) to P-5	P-5 to Q-6	Q-7	R-5		
33	Cutting Board Bracket	PR60B(-D2)(-D4)	3A4890-01	2	2	2	2	2		
		PR46B(-D2)	3A4890-01	2	2	2	2	2		
		PR67B(-D2)(-D4) PR93B(-D2)(-D4)(-D6)								
34	Terminal Plug	*PR46B and PR60B	4A6229-01	1	*1	1	1	1		

*See page 4: "Cabinet Control Module, Cabinet Thermistor, Retainer Clips, and Terminal Plug Change"

B. Refrigeration Circuit

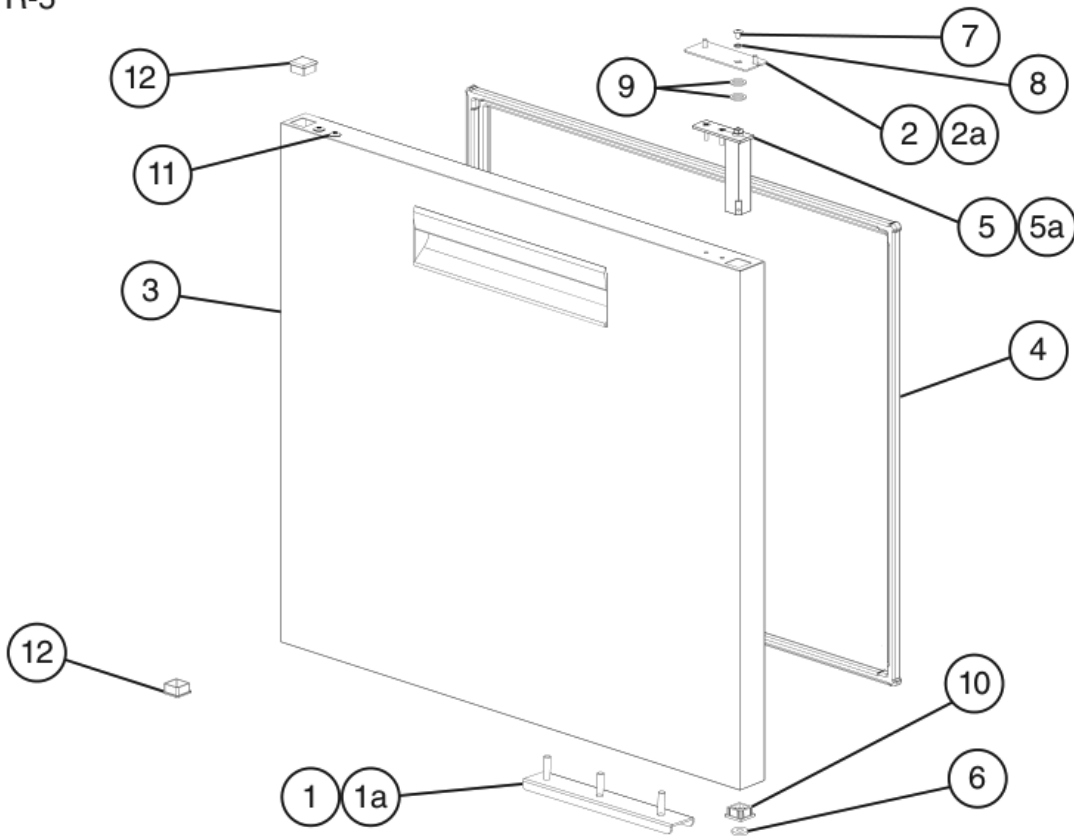
PR46B(-D2), PR60B(-D2)(-D4), PR67B(-D2)(-D4), PR93B(-D2)(-D4)(-D6)
L-5 to R-5



For compressor or condenser replacement, order item 1.

Title: B. Refrigeration Circuit		Models: PR46B(-D2), PR60B(-D2)(-D4), PR67B(-D2)(-D4), PR93B(-D2)(-D4)(-D6)												
Index No.	Description	Material or Model Number	Part Number	L-5 to R-5	Required Number									
1	Condensing Unit (includes compressor, condenser, and items 2 through 7; compressor and condenser are not sold individually)	PR46B(-D2), PR60B(-D2)(-D4)	3B0964-01	1										
		PR67B(-D2)(-D4),	3B0992-01	1										
		PR93B(-D2)(-D4)(-D6)	3B1600-01	1										
2	Condenser Fan Motor	PR46B(-D2), PR60B(-D2)(-D4)	3A6798-01	1										
		PR67B(-D2)(-D4),	4A7104-01	1										
		PR93B(-D2)(-D4)(-D6)	4A7413-01	1										
3	Condenser Fan Blade	PR46B(-D2) PR60B(-D2)(-D4) PR67B(-D2)(-D4)	3A6799-01	1										
		PR93B(-D2)(-D4)(-D6)	3B1694-01	1										
4	Compressor External Protector	PR46B(-D2) PR60B(-D2)(-D4) PR67B(-D2)(-D4)	3B0897-01	1										
		PR93B(-D2)(-D4)(-D6)	3B1695-01	1										
5	Start Relay		3A9476-01	1										
6	Run Capacitor	20MFD 250VAC	3B0898-01	1										
7	Drier		4A5576-01	1										
8	Evaporator		2B0101-01	1										
9	Evaporator Fan Motor	PR46B(-D2), PR60B(-D2)(-D4)	4A6192-01	2										
		PR67B(-D2)(-D4), PR93B(-D2)(-D4)(-D6)		3										
10	Defrost Thermistor		4A4865-02	1										
11	Defrost Heater		3B0457-01	1										
12	Defrost Safety Thermostat		4A6194-01	1										
13	Heat Exchanger	PR46B(-D2), PR60B(-D2)(-D4)	3B1027G01	1										
		PR67B(-D2)(-D4), PR93B(-D2)(-D4)(-D6)	3B1039G01	1										
14	Drain Hose		3B0477-01	1										
15	Drip Ramp		3B0835-01	1										

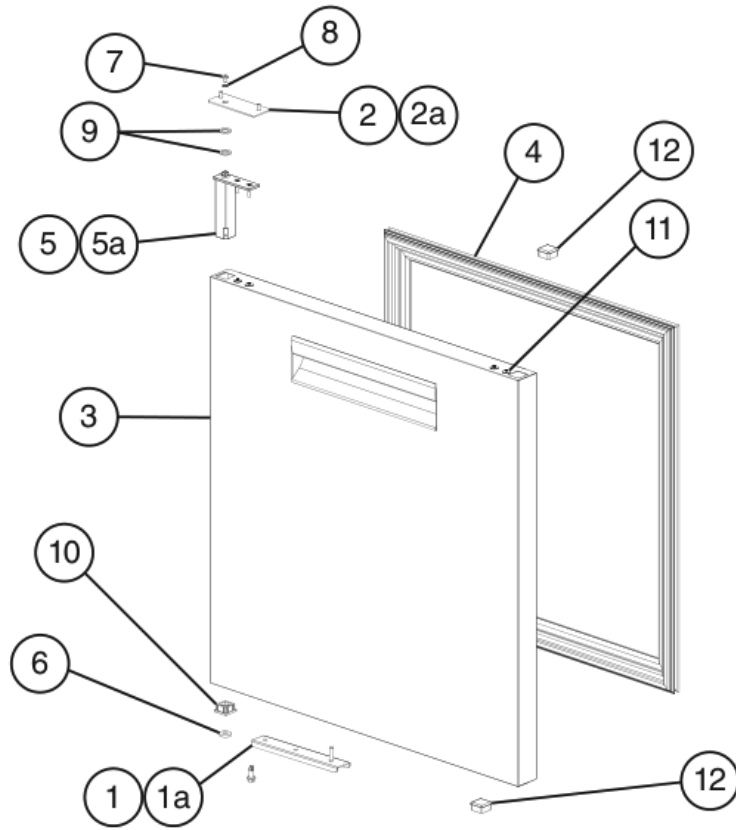
C. Door-Right Hinged
PR46B, PR60B(-D2), PR67B(-D2), PR93B(-D2)(-D4)
 L-5 to R-5



Title: C. Door-Right Hinged Models: PR46B, PR60B(-D2), PR67B(-D2), PR93B(-D2)(-D4)				Required Number Per Section						
Index No.	Description	Material or Model Number	Part Number	L-5 to R-5						
1	Lower Hinge Bracket	PR46B PR60B(-D2) PR67B(-D2) PR93B(-D2)(-D4)	3A6681G01	1						
1a	Hex Head Tapping Bolt	PR46B PR60B(-D2) PR67B(-D2) PR93B(-D2)(-D4)	4A5213-01	2						
2	Upper Hinge Bracket	PR46B PR60B(-D2) PR67B(-D2) PR93B(-D2)(-D4)	3A6810-01	1						
2a	Truss Head Screw	PR46B PR60B(-D2) PR67B(-D2) PR93B(-D2)(-D4)	7C32-0512	2						

Title: C. Door-Right Hinged Models: PR46B, PR60B(-D2), PR67B(-D2), PR93B(-D2)(-D4)												
Index No.	Description	Material or Model Number	Part Number	L-5 to R-5	Required Number Per Section							
3	Door Assembly (includes items 4 through 12)	PR46B	2A9409G04	1								
		PR60B(-D2)	2A9409G06	1								
		PR67B(-D2)	2A9409G01	1								
		PR93B(-D2)(-D4)										
4	Gasket	PR46B	2A6996-12	1								
		PR60B(-D2)	2A6996-11	1								
		PR67B(-D2)	2A6996-10	1								
		PR93B(-D2)(-D4)										
5	Hinge Spring Cartridge (includes items 6 through 10)	PR46B PR60B(-D2) PR67B(-D2) PR93B(-D2)(-D4)	3A9206-01	1								
5a	Countersunk Screw	PR46B PR60B(-D2) PR67B(-D2) PR93B(-D2)(-D4)	7C42-0520	2								
6	Thrust Washer	PR46B PR60B(-D2) PR67B(-D2) PR93B(-D2)(-D4)	4A5234-01	1								
7	Screw	PR46B PR60B(-D2) PR67B(-D2) PR93B(-D2)(-D4)	4A5230-01	1								
8	Lock Washer	PR46B PR60B(-D2) PR67B(-D2) PR93B(-D2)(-D4)	4A5231-01	1								
9	Thrust Washer	PR46B PR60B(-D2) PR67B(-D2) PR93B(-D2)(-D4)	4A5233-01	2								
10	Bearing	PR46B PR60B(-D2) PR67B(-D2) PR93B(-D2)(-D4)	4A5232-01	1								
11	Truss Head Screw (filler screws)	PR46B PR60B(-D2) PR67B(-D2) PR93B(-D2)(-D4)	7C32-0510	2								
12	End Cap	PR46B PR60B(-D2) PR67B(-D2) PR93B(-D2)(-D4)	4A5432-01	2								

D. Door-Left Hinged
PR60B, PR67B, PR93B
 L-5 to R-5

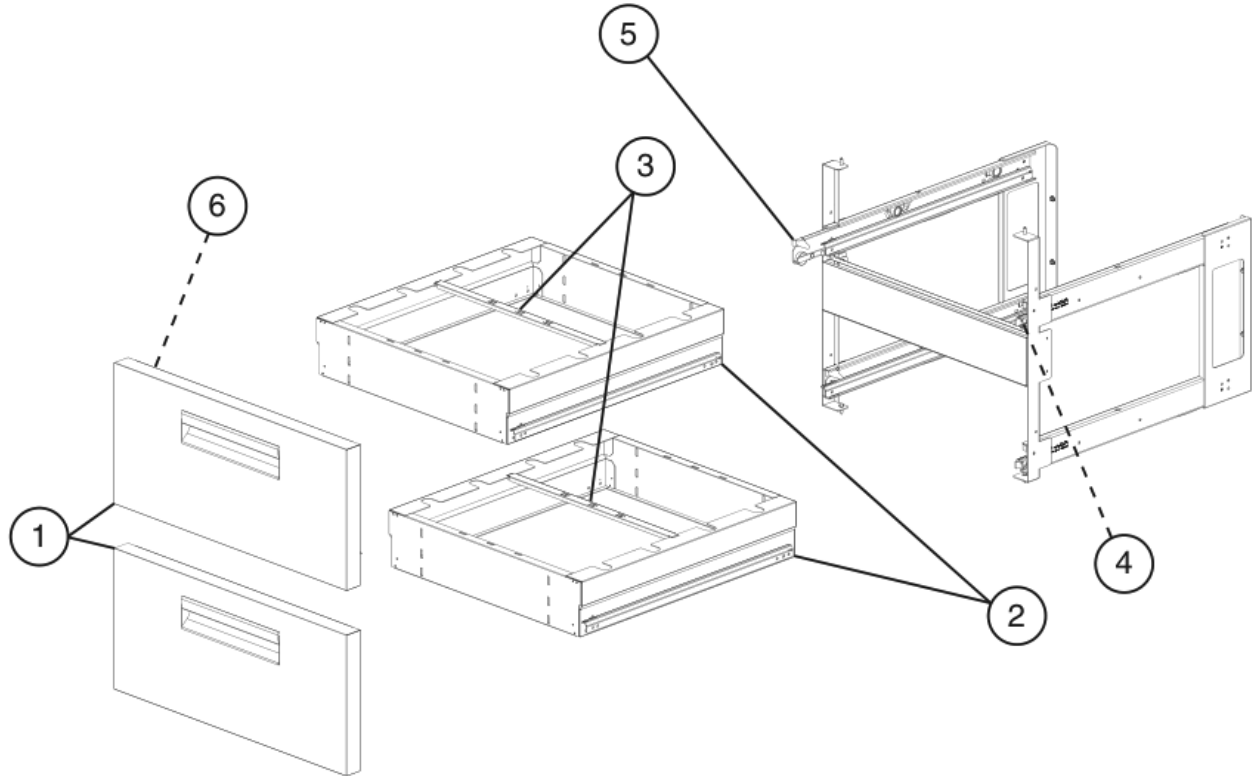


Title: D. Door-Left Hinged Models: PR60B, PR67B, PR93B				Required Number Per Section											
Index No.	Description	Material or Model Number	Part Number	L-5 to R-5											
1	Lower Hinge Bracket		3A6681G01	1											
1a	Hex Head Tapping Bolt		4A5213-01	2											
2	Upper Hinge Bracket		3A6810-01	1											
2a	Truss Head Screw		7C32-0512	2											
3	Door Assembly (includes items 4 through 12)	PR60B	2A9411G01	1											
		PR67B	2A9411G05	1											
		PR93B													
4	Gasket	PR60B	2A6996-11	1											
		PR67B PR93B	2A6996-10	1											
5	Hinge Spring Cartridge (includes items 6 through 10)		3A9206-01	1											
5a	Countersunk Screw		7C42-0520	2											
6	Thrust Washer		4A5234-01	1											
7	Screw		4A5230-01	1											
8	Lock Washer		4A5231-01	1											
9	Thrust Washer		4A5233-01	2											
10	Bearing		4A5232-01	1											
11	Truss Head Screw (filler screws)		7C32-0510	2											
12	End Cap		4A5432-01	2											

E. Drawer Assembly

PR46B-D2, PR60B(-D2)(-D4), PR67B-D2(-D4), PR93B-D2(-D4)(-D6)

L-5 to R-5

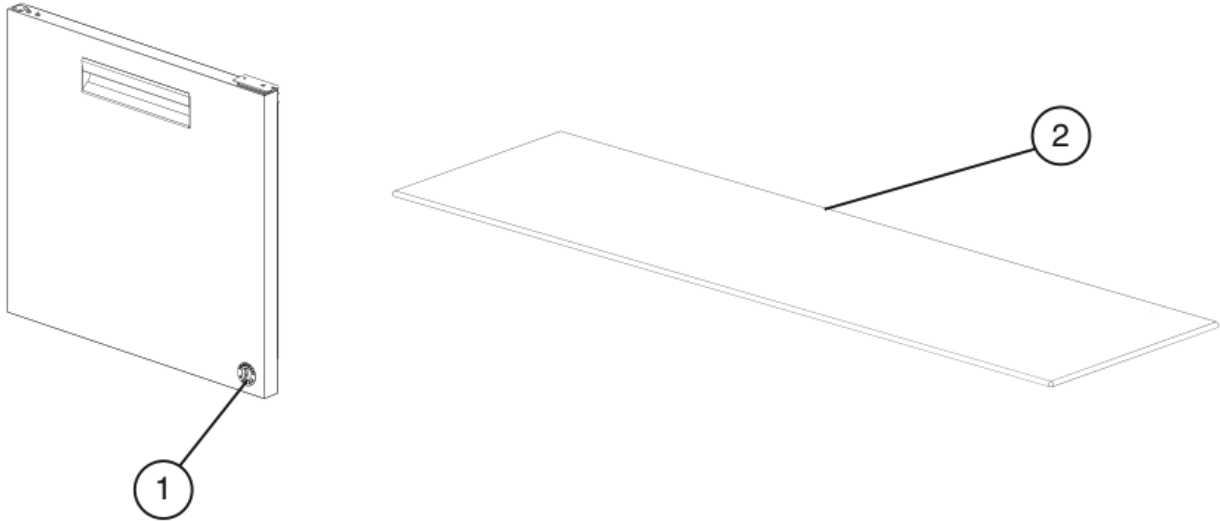


Title: E. Drawer Assembly Models: PR46B-D2, PR60B(-D2)(-D4), PR67B-D2(-D4), PR93B-D2(-D4)(-D6)																				
Index No.	Description	Material or Model Number	Part Number	Required Number Per Section																
				L-5 to R-5																
1	Drawer Face (includes item 6)	PR46B-D2	2A9760G01	2																
		PR60B-D2(-D4)	2A9759G01	2																
		PR67B-D2(-D4)	2A9736G01	2																
		PR93B-D2(-D4)(-D6)																		
2	Drawer Box	PR46B-D2	2A7236G01	1																
		PR60B-D2(-D4)	2B0060G01	1																
		PR67B-D2(-D4)	2A7319G01	1																
		PR93B-D2(-D4)(-D6)																		
3	Drawer Divider	PR46B-D2	3B0029-02	1																
		PR60B-D2(-D4)	2B0061-01	1																
		PR67B-D2(-D4)	3B0029-02	1																
		PR93B-D2(-D4)(-D6)																		
4	Right Side Roller		4A5674-02	1																
5	Left Side Roller		4A5674-05	1																
6	Drawer Gasket	PR46B-D2	2A5192-16	1																
		PR60B-D2(-D4)	2A5192-17	1																
		PR67B-D2(-D4)	2A5192-15	1																
		PR93B-D2(-D4)(-D6)																		

F. Accessories & Labels

PR46B(-D2), PR60B(-D2)(-D4), PR67B(-D2)(-D4), PR93B(-D2)(-D4)(-D6)

L-5 to R-5



Title: F. Accessories & Labels Models: PR46B(-D2), PR60B(-D2)(-D4), PR67B(-D2)(-D4), PR93B(-D2)(-D4)(-D6)																			
Index No.	Description	Material or Model Number	Part Number	Required Number															
				L-5 to R-5															
1	Penguin Label		475552L01	1															
2	Cutting Board	PR46B(-D2)	3A4894-18	1															
		PR60B(-D2)(-D4)	3A4894-21	1															
		PR67B(-D2)(-D4)	3A4894-17	1															
		PR93B(-D2)(-D4)(-D6)	3A4894-16	1															
3	6" Caster Kit (includes 2 of items 4 and 5)	HS-5036	4A5435A01	1															
4	6" Non-Locking Caster	PR46B(-D2) PR93B(-D2)(-D4)(-D6)	4A5428-01	3															
		PR60B(-D2)(-D4) PR67B(-D2)(-D4)		2															
5	6" Locking Caster	PR46B(-D2) PR93B(-D2)(-D4)(-D6)	4A5428-02	3															
		PR60B(-D2)(-D4) PR67B(-D2)(-D4)		2															
6	1/3 Size Pan, 4" Depth	PR46B(-D2)	1000000351	6															
		PR60B(-D2)(-D4)		8															
		PR67B(-D2)(-D4)		9															
		PR93B(-D2)(-D4)(-D6)		12															
7	Pan Divider	PR46B(-D2)	3A4934-03	7															
		PR60B(-D2)(-D4)		9															
		PR67B(-D2)(-D4)		10															
		PR93B(-D2)(-D4)(-D6)		13															