



# HOSHIZAKI

## Parts List

Steelheart Series  
Refrigerated Kitchen Equipment

### Models

PT1A-FG-FG

PT1A-FS-FS

PT1A-HS-HS

PT2A-FG-FG

PT2A-FS-FS

PT2A-HS-HS



[hoshizakiamerica.com](http://hoshizakiamerica.com)

Number: 71430  
Issued: 11-18-2019  
Revised: 8-13-2020

## CONTENTS

Auxiliary Codes.....	3
Note About Ordering Parts .....	3
A. Main Assembly .....	4
PT1A-XX-XX .....	4
PT2A-XX-XX .....	6
B. Refrigeration Circuit.....	8
C. Door-Full Glass.....	10
Right Hinged .....	10
Left Hinged .....	11
D. Door-Full Solid .....	13
Right Hinged .....	13
Left Hinged .....	14
E. Door-Half Solid .....	16
Right Hinged .....	16
Left Hinged .....	17
F. Accessories & Labels .....	19

## **Auxiliary Codes**

### **PT1A-FG-FG**

J-5 March 2019

### **PT1A-FS-FS**

J-5 December 2019

### **PT1A-HS-HS**

J-5 December 2019

### **PT2A-FG-FG**

J-5 July 2019

### **PT2A-FS-FS**

J-5 July 2019

### **PT2A-HS-HS**

J-5 April 2019

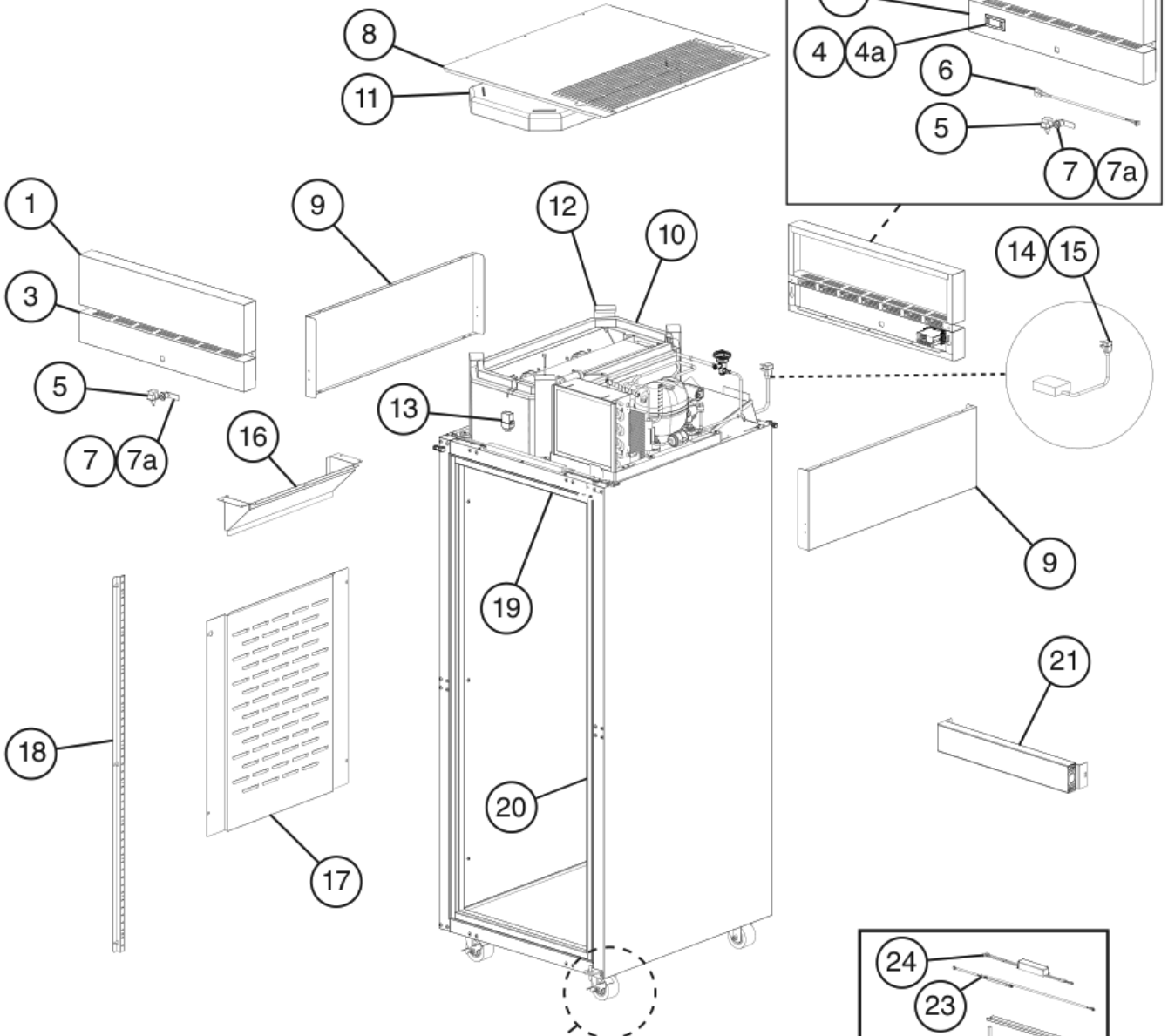
## **Auxiliary Code Breakdown**

The auxiliary code is the first two characters in the serial number. The first character indicates the year. Years progress or regress in alphabetical order. The series runs from "A" through "V" and the letters "I" and "O" are skipped. The second character indicates significant part changes within a year. Base is "5" and this number advances for each change. In cases where there is a letter in parentheses, this designates the month. This is the last character in the serial number. The series runs from "(A)" through "(M)" and the letter "(I)" is skipped. This designation is only included when identifying a parts change within an auxiliary code.

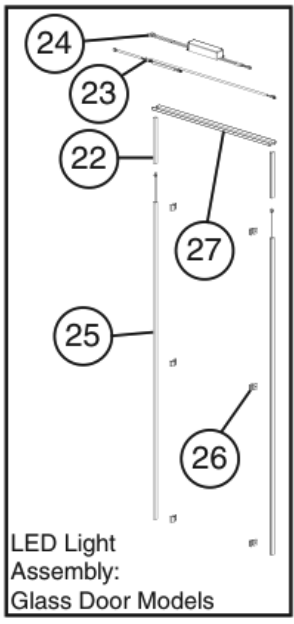
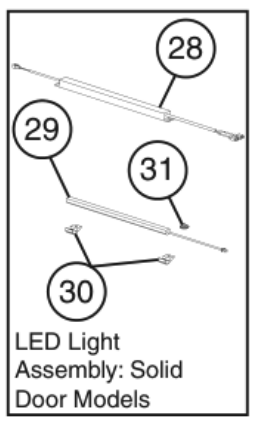
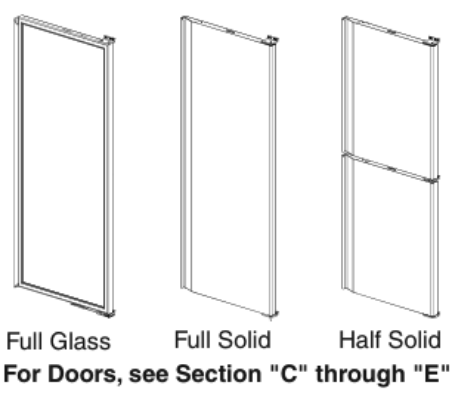
## **Note About Ordering Parts**

Most assemblies cannot be ordered as complete units; parts in the assemblies generally must be ordered separately.

**A. Main Assembly**  
**PT1A-XX-XX**  
 J-5

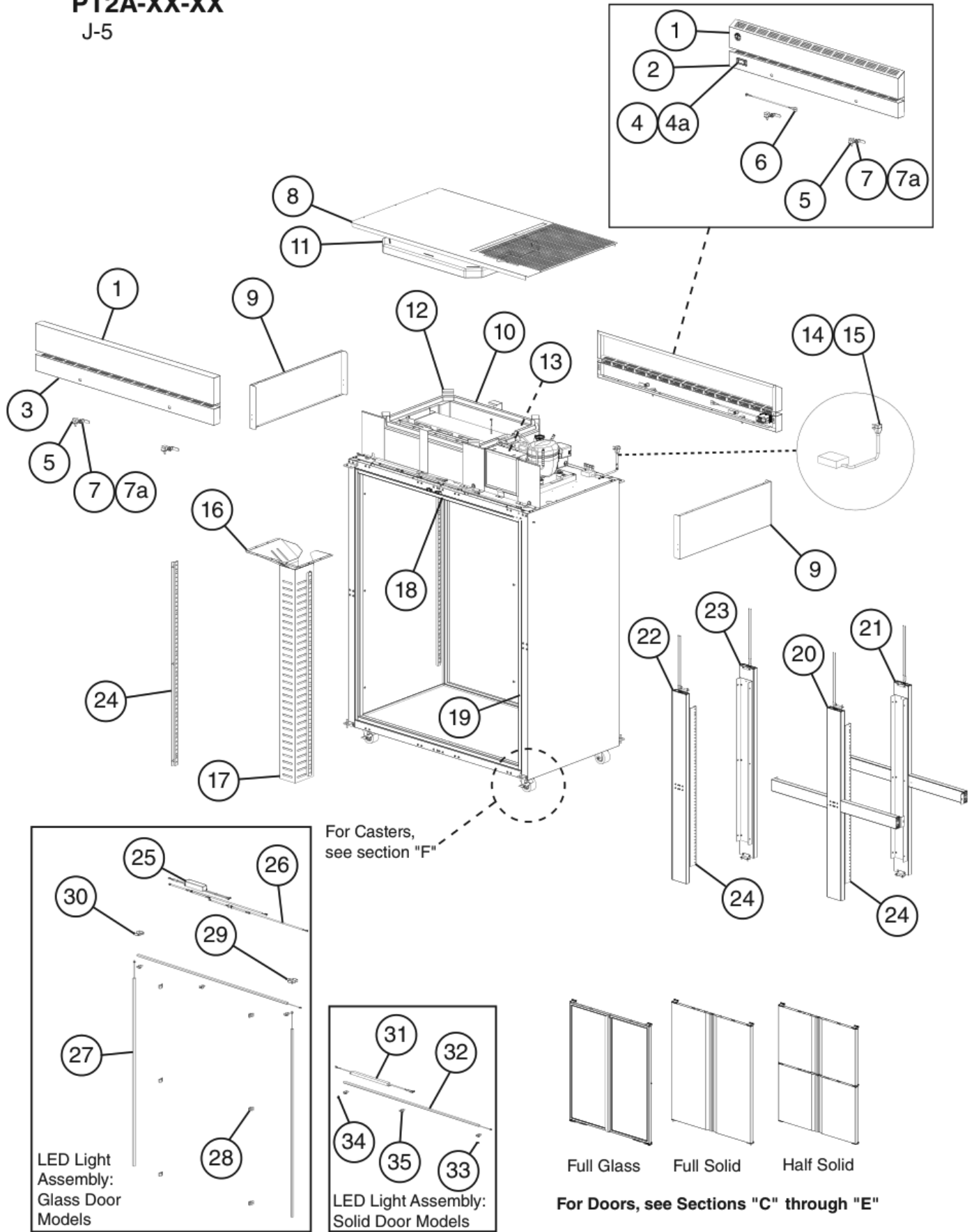


For Casters, see section "F"



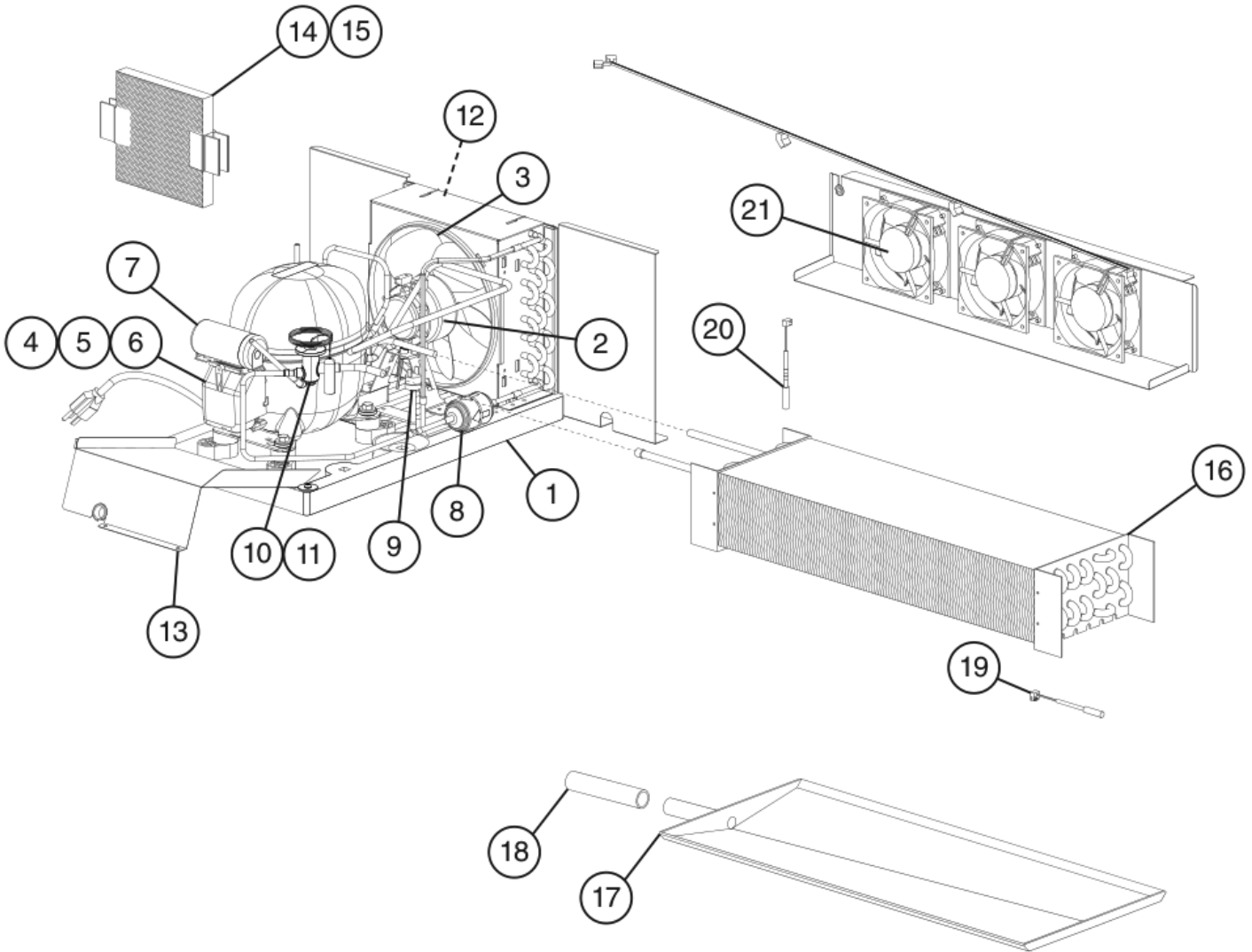
Title: A. Main Assembly Model: PT1A-XX-XX											
Index No.	Description	Material or Model Number	Part Number	Required Number							
				J-5							
1	Upper Panel		3A9604G01	1							
			2A8616-01	1							
2	Lower Control Panel		2A8615-02	1							
3	Lower Panel		2A8615-03	1							
4	Control Module	Solid	4A6195G01	1							
		Glass	4A6626G01	1							
4a	Control Module Mounting Clip		4A5502-01	2							
5	Door Switch		3A1826-01	2							
6	Door Switch Wire Harness		4A6203-01	1							
7	Lock (includes item 7a)		4A4924-01	2							
7a	Key (includes 2 keys)		4A5453-01	2							
8	Top Louver		2A8254-01	1							
9	Side Panel		2A8252-01	2							
10	Evaporator Case		1A4781-01	1							
11	Evaporator Cover		1A4782-01	1							
12	Evaporator Case Latch		3A9802-01	4							
13	Pressure Relief Valve		4A5694-01	1							
14	Power Supply Cord/ Wire Harness		3A9838-01	1							
15	Connector Cap		4A6229-01	4							
16	Air Distribution Top		1A3951-01	1							
17	Air Distribution Panel		1A4930-01	1							
18	Pilaster		3A0145-01	4							
19	Horizontal Thermal Breaker Cover	561 mm	2A8795-01	4							
20	Vertical Thermal Breaker Cover	1552 mm	2A8796-01	4							
21	Horizontal Mullion	PT1A-HS-HS	2A8664A01	2							
22	LED Lens (wire sleeve)	PT1A-FG-FG	3A9861-01	2							
23	LED Y Harness		4A6080-01	1							
24	LED Driver		3A9820-01	1							
25	LED Lamp		3A9868-01	2							
26	LED Clip		4A5906-01	6							
27	LED Bracket		2A8826-01	1							
28	LED Driver		PT1A-FS-FS, PT1A-HS-HS	3A9867-01	1						
29	LED Lamp	3A9788-01		1							
30	LED Clip	4A5906-01		2							
31	LED Bushing	425307-02		1							

**A. Main Assembly**  
**PT2A-XX-XX**  
 J-5



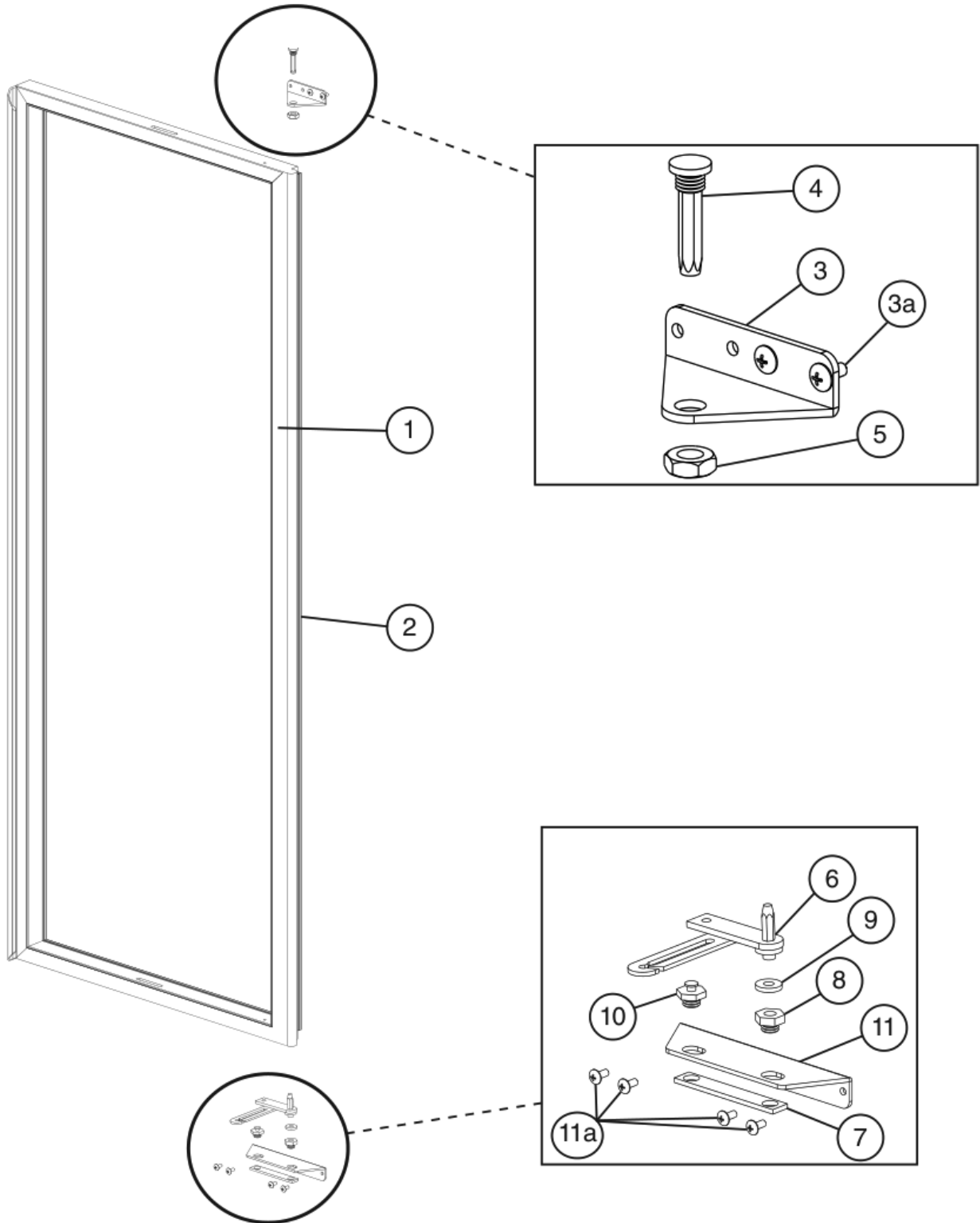
Title: A. Main Assembly Model: PT2A-XX-XX											
Index No.	Description	Material or Model Number	Part Number	Required Number							
				J-5							
1	Upper Panel		3B0334G01	1							
			2A8584-01	1							
2	Lower Control Panel		2A8583-02	1							
3	Lower Panel		2A8583-03	1							
4	Control Module	Solid	4A6195G01	1							
		Glass	4A6626G01	1							
4a	Control Module Mounting Clip		4A5502-01	2							
5	Door Switch		3A1826-01	4							
6	Door Switch Wire Harness		4A6203-01	1							
7	Lock (includes item 7a)		4A4924-01	4							
7a	Key (includes 2 keys)		4A5453-01	4							
8	Top Louver		2A8725-01	1							
9	Side Panel		2A8252-01	2							
10	Evaporator Case		1A4829-01	1							
11	Evaporator Cover		1A4828-01	1							
12	Evaporator Case Latch		3A9802-01	6							
13	Pressure Relief Valve		4A5694-01	1							
14	Power Supply Cord/ Wire Harness		3A9838-01	1							
15	Connector Cap		4A6229-01	4							
16	Air Distribution Top		1A5536-01	1							
17	Air Distribution Channel		1A5534-01	1							
18	Horizontal Thermal Breaker Cover	1260 mm	2A8795-02	4							
19	Vertical Thermal Breaker Cover	1552 mm	2A8796-01	4							
20	Front Cross Mullion (Includes 2 Mullion Pilasters)	PT2A-HS-HS	2A8746A01	1							
21	Rear Cross Mullion		2A9081A01	1							
22	Front Vertical Mullion (Includes 2 Mullion Pilasters)	PT2A-FG-FG, PT2A-FS-FS	2A8734A01	1							
23	Rear Vertical Mullion		2A9073A01	1							
24	Pilaster		3A0145-01	6							
	Mullion Pilaster		2A8735-01	2							
25	LED Driver	PT2A-FG-FG	3A9820-01	1							
26	LED Y Harness		4A6080-01	2							
27	LED Lamp		3A9868-01	3							
28	LED Clip		4A5906-01	9							
29	LED Bracket (Right)		3B0243-01	1							
30	LED Bracket (Left)		3B0243-02	1							
31	LED Driver	PT2A-FS-FS, PT2A-HS-HS	3A9867-01	1							
32	LED Lamp		3A9868-01	1							
33	Bushing		425307-02	1							
34	Hole Plug		4A0586-10	1							
35	LED Clip		4A5906-01	3							

**B. Refrigeration Circuit**  
**PT\_A-XX-XX**  
J-5

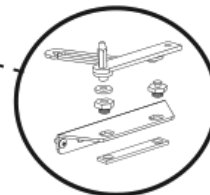
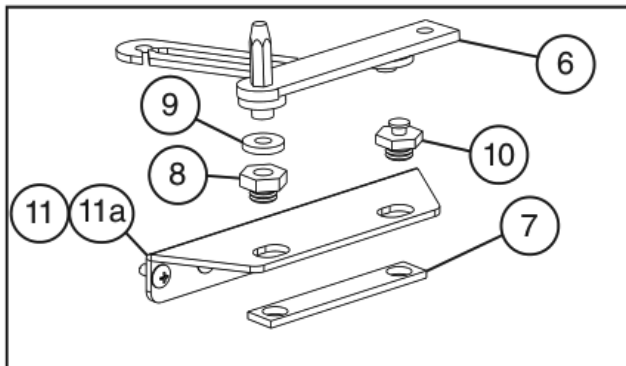
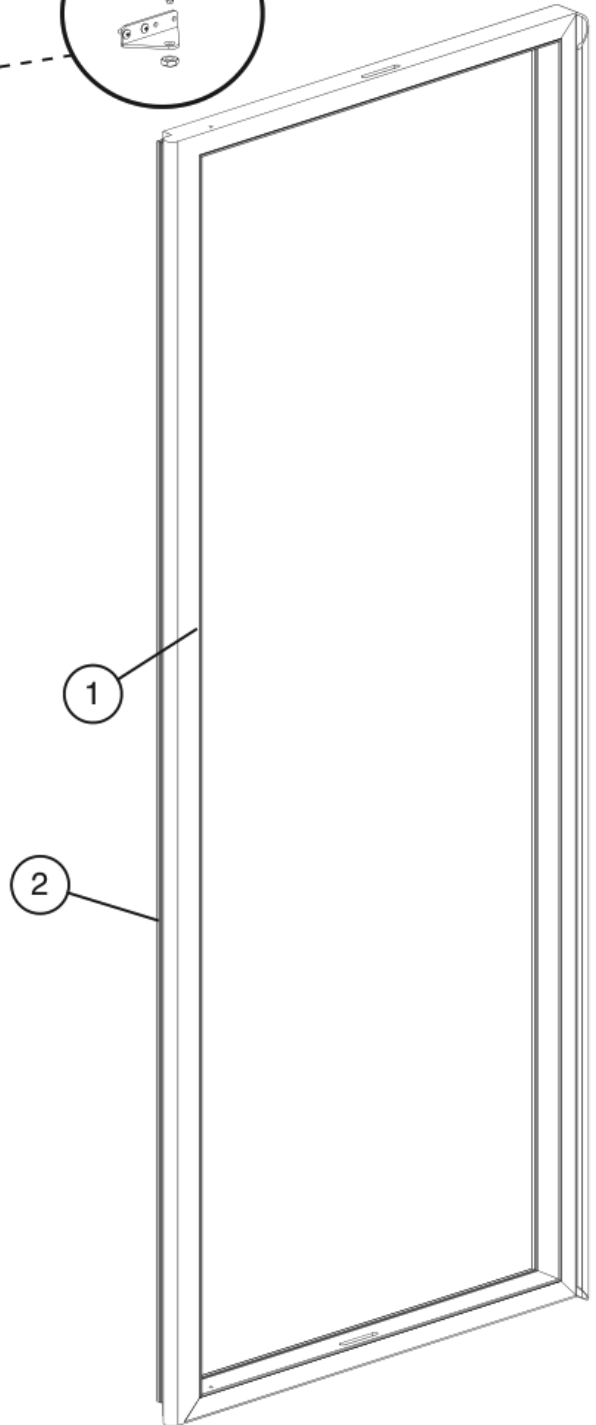
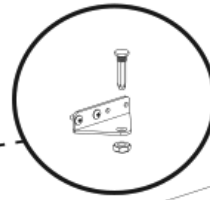
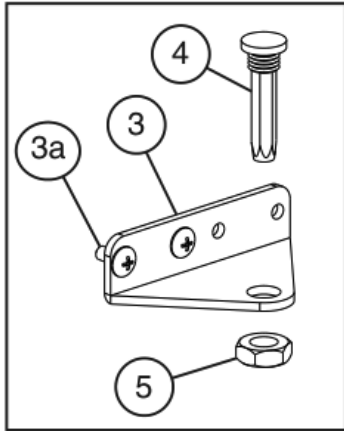


Title: B. Refrigeration Circuit Model: PT_A-XX-XX											
Index No.	Description	Material or Model Number	Part Number	Required Number							
				J-5							
1	Condensing Unit (includes compressor, condenser, and items 2 through 8, compressor and condenser are not sold individually)	PT1A-XX-XX	2A8791-01	1							
		PT2A-XX-XX	2A8793-01	1							
2	Condenser Fan Motor		4A6376-01	1							
3	Condenser Fan Blade		4A6377-01	1							
4	Compressor External Protector	PT1A-XX-XX	4A6387-01	1							
		PT2A-XX-XX	4A6388-01	1							
5	Start Relay	PT1A-XX-XX	4A6383-01	1							
		PT2A-XX-XX	4A6384-01	1							
6	Condensing Unit Power Supply Cord		4A6501-01	1							
7	Start Capacitor	PT1A-XX-XX	4A6378-01	1							
		PT2A-XX-XX	4A6379-01	1							
8	Drier		4A1113-01	1							
9	High-Pressure Switch		4A6039-01	1							
10	Thermostatic Expansion Valve	PT1A-XX-XX	4A6184-01	1							
		PT2A-XX-XX	4A6206-01	1							
11	Thermostatic Expansion Valve Cover		4A6201-01	1							
12	Air Filter		4A6189-01	1							
13	Deflector	PT1A-XX-XX	2A9004-01	1							
14	Wick		4A6188-01	1							
15	Wick Retainer		4A6164-01	2							
16	Evaporator	PT1A-XX-XX	2A8783-01	1							
		PT2A-XX-XX	2A8631-01	1							
17	Evaporator Drain Pan	PT1A-XX-XX	1A4805-01	1							
		PT2A-XX-XX	1A4827-01	1							
18	Drain Hose	75 mm	7716-2025	1							
19	Cabinet Thermistor		4A4864-02	1							
20	Defrost Thermistor		4A4865-02	1							
21	Evaporator Fan Motor	PT1A-XX-XX	4A6192-01	2							
		PT2A-XX-XX		3							

**C. Door-Full Glass  
Right Hinged  
1/2  
J-5**

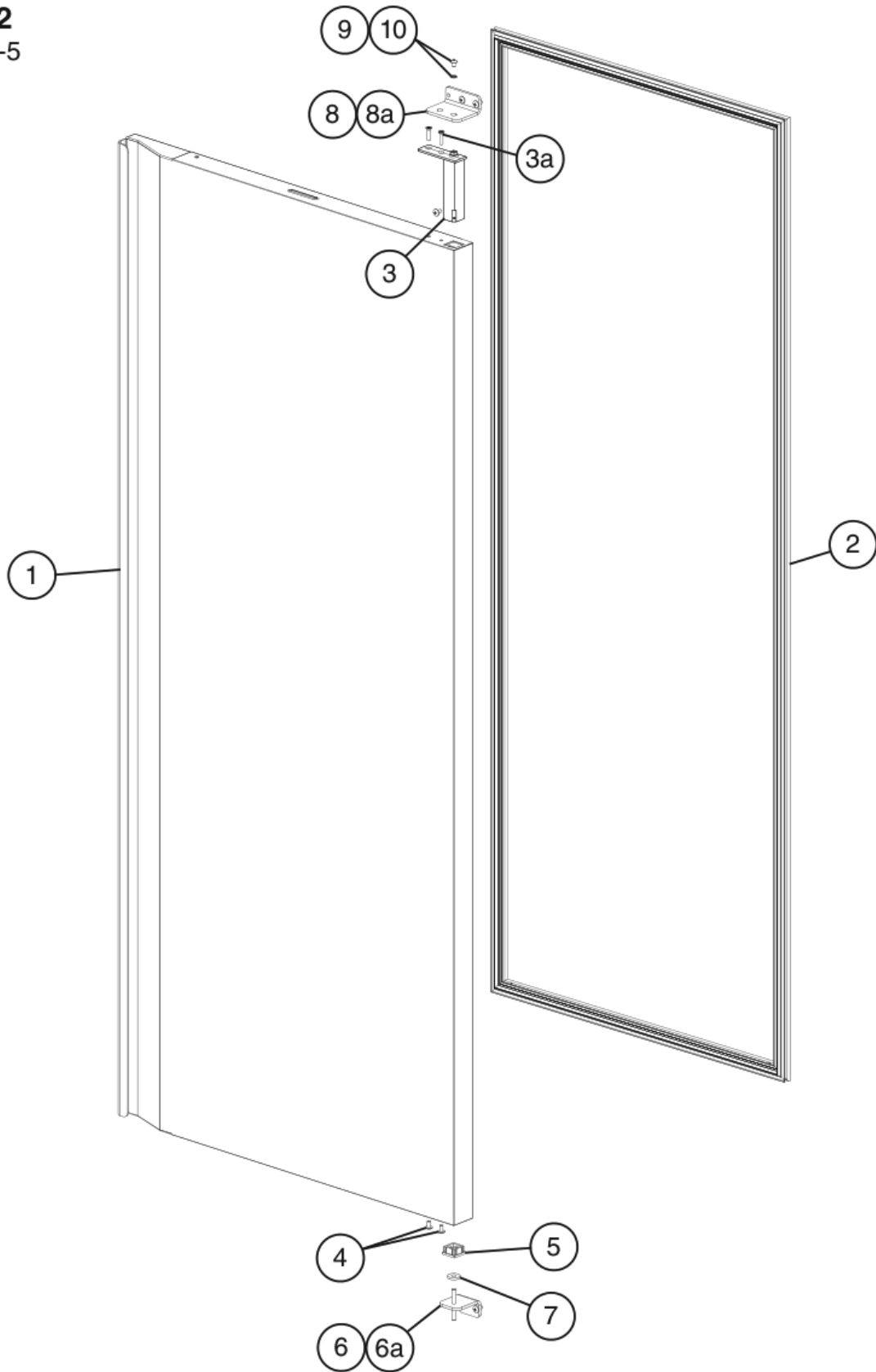


**C. Door-Full Glass  
Left Hinged  
2/2  
J-5**



Title: C. Door-Full Glass Model: Full Glass												
Index No.	Description	Material or Model Number	Part Number	Required Number								
				J-5								
1	Right Glass Door	PT1A-FG-FG	2A7834-03	1								
		PT2A-FG-FG	2A7834-04	1								
	Left Glass Door	PT2A-FG-FG	2A7834-02	1								
2	Gasket		3A8864-01	1								
3	Upper Hinge Bracket		3A9162-01	1								
3a	Truss Head Screw	5x12, SS	7C32-0512	2								
4	Tension Rod (hinge pin)		3A7946-04	1								
5	Lock Nut		3A7946-05	1								
6	Lower Hinge Arm		3A7946-01	1								
7	Backer Plate		3A7946-08	1								
8	Bottom Hinge Bushing		3A7946-09	1								
9	Nylon Washer		3A7946-10	1								
10	Slide Pin		3A7946-11	1								
11	Lower Hinge Bracket		3A9161-01	1								
11a	Truss Head Screw	5x12, SS	7C32-0512	4								

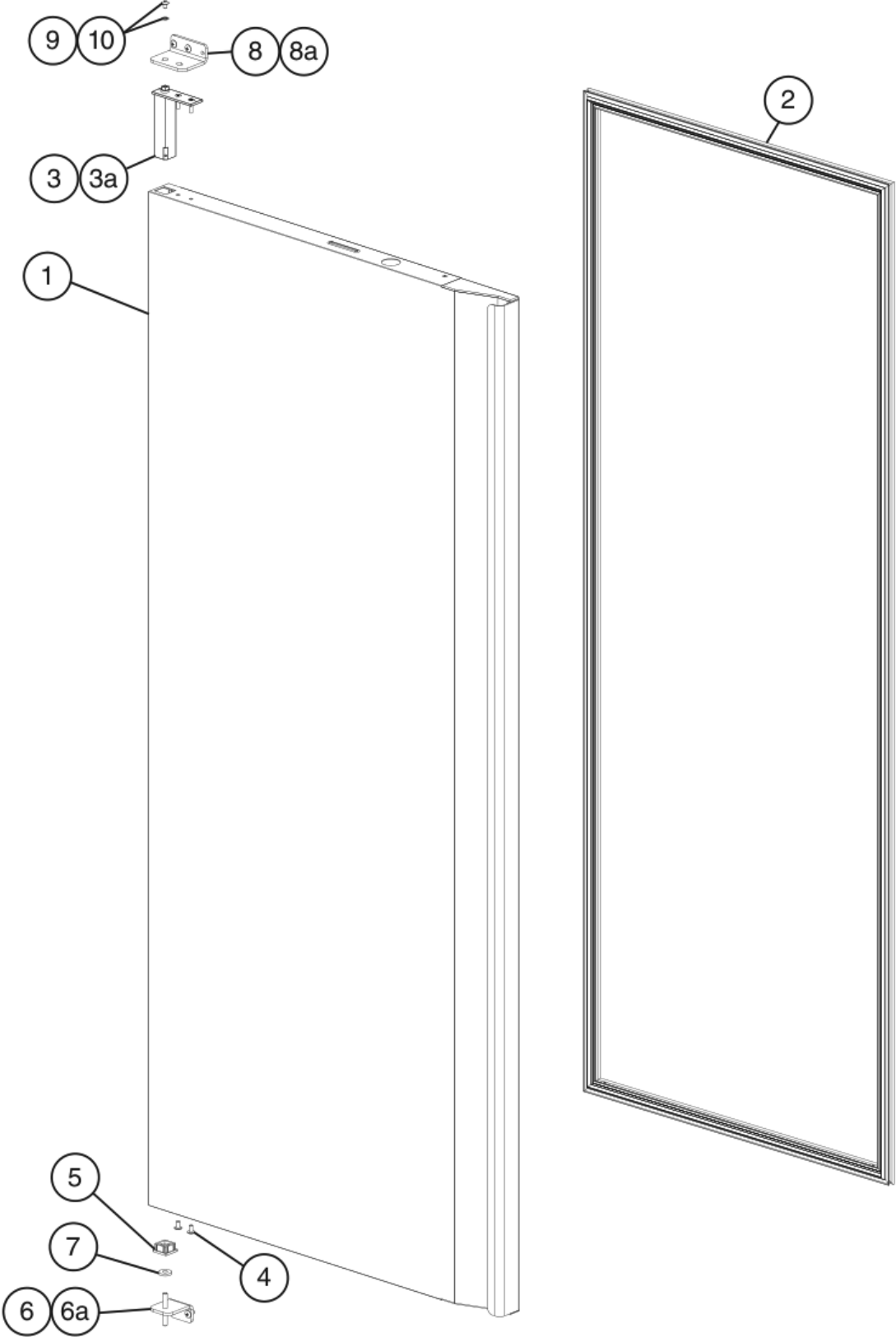
**D. Door-Full Solid  
Right Hinged  
1/2  
J-5**



**D. Door-Full Solid  
Left Hinged**

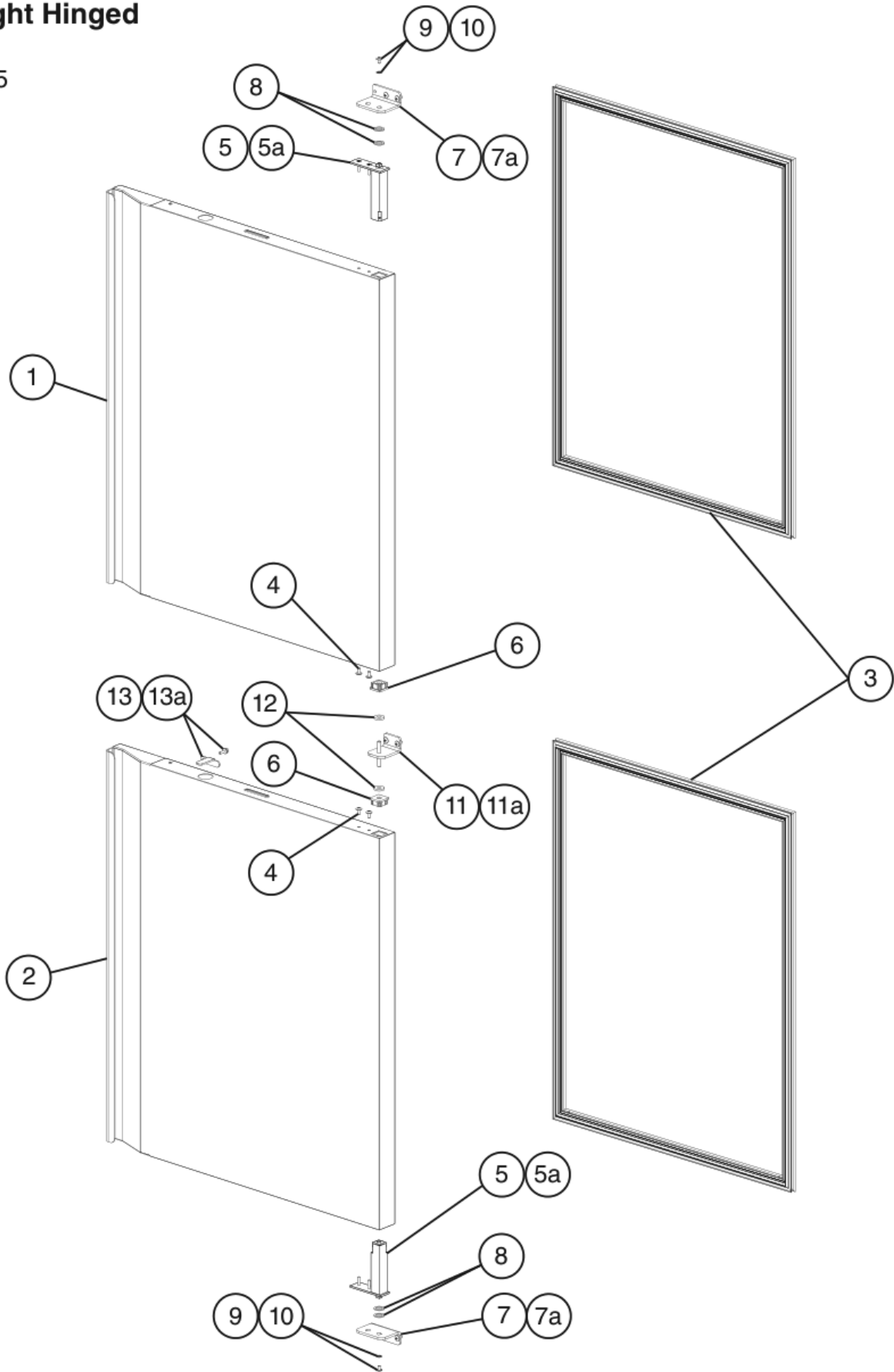
**2/2**

J-5

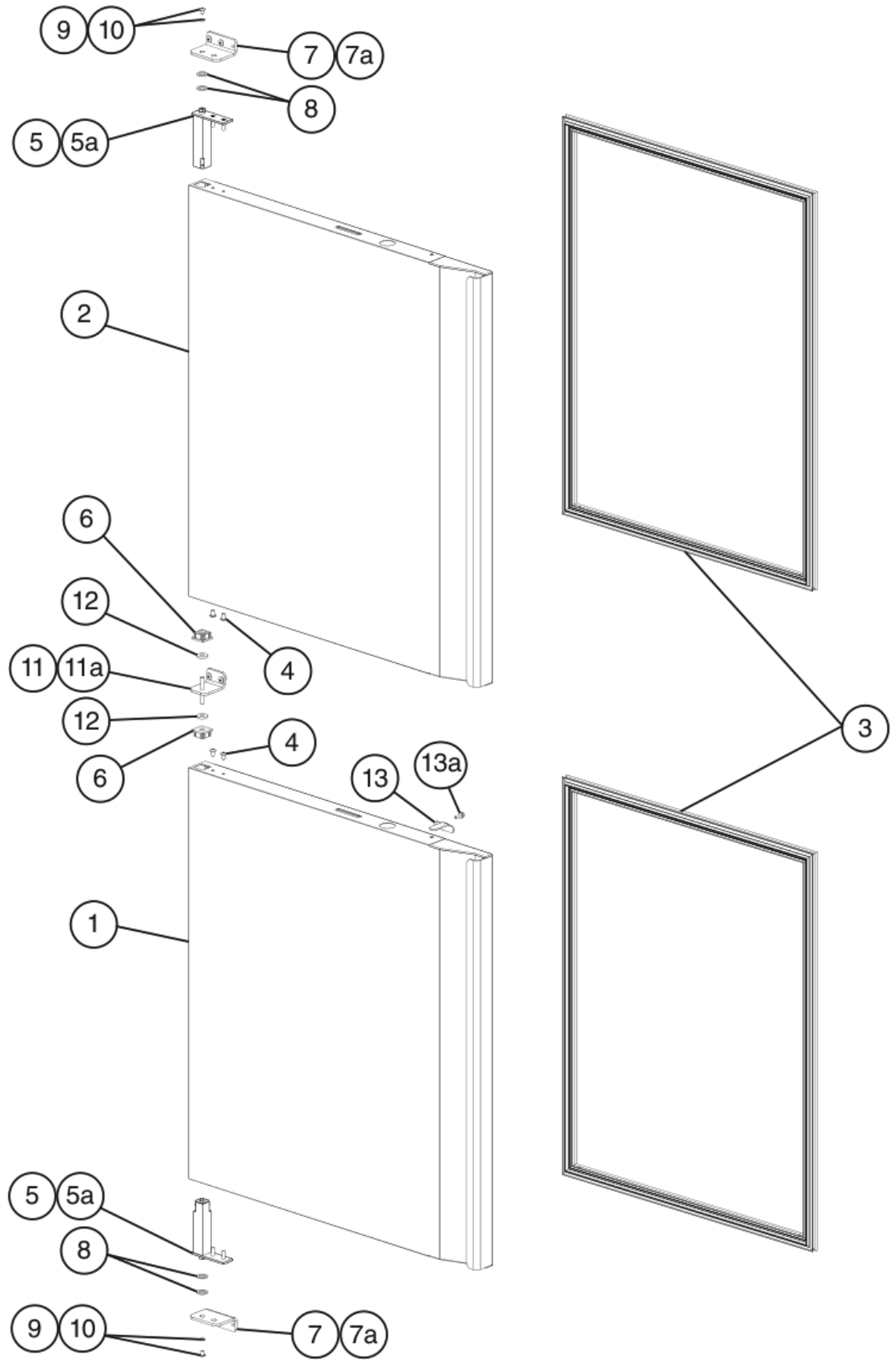


Title: D. Door-Full Solid Model: Full Solid												
Index No.	Description	Material or Model Number	Part Number	Required Number								
				J-5								
1	Right Door Assembly (includes items 2 through 5)		<a href="#">2A7814G01</a>	1								
	Left Door Assembly (includes items 2 through 5)		<a href="#">2A7817G01</a>	1								
2	Gasket		<a href="#">2A5192-07</a>	1								
3	Spring Cartridge		<a href="#">3A9206-01</a>	1								
3a	Spring Cartridge Screw	5x20, SS	<a href="#">7C42-0520</a>	2								
4	Truss Head Screw (Filler Screw)	5x10, SS	<a href="#">7C32-0510</a>	2								
5	Nylon Bearing		<a href="#">4A5232-01</a>	1								
6	Lower Hinge Bracket		<a href="#">3A9767G01</a>	1								
6a	Truss Head Screw	5x12, SS	<a href="#">7C32-0512</a>	2								
7	Thrust Washer		<a href="#">4A5234-01</a>	1								
8	Upper Hinge Bracket		<a href="#">3A9689-01</a>	1								
8a	Truss Head Screw	5x12, SS	<a href="#">7C32-0512</a>	2								
9	Upper Hinge Bracket Washer		<a href="#">4A5231-01</a>	1								
10	Upper Hinge Bracket Screw		<a href="#">4A5230-01</a>	1								

**E. Door-Half Solid  
Right Hinged  
1/2  
J-5**



**E. Door-Half Solid  
Left Hinged  
2/2**  
J-5

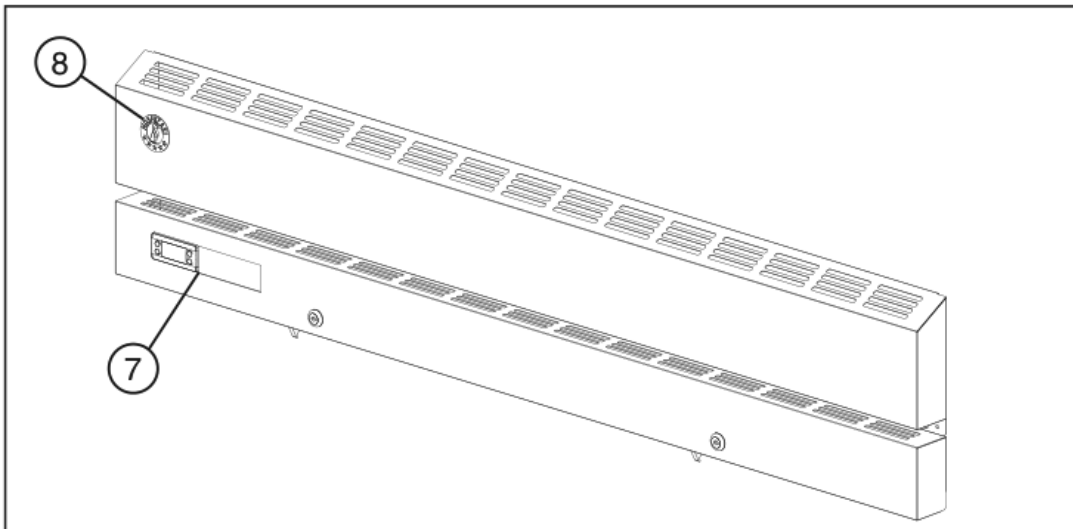
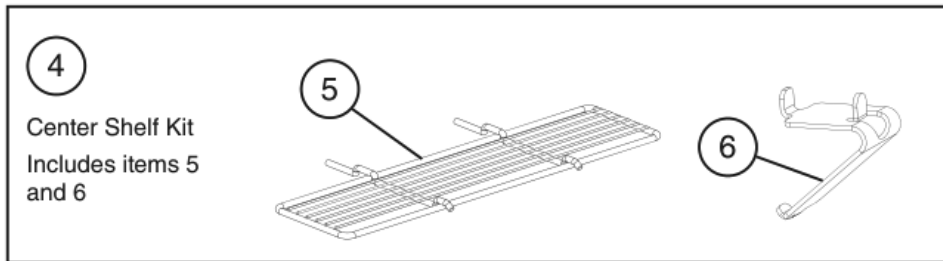
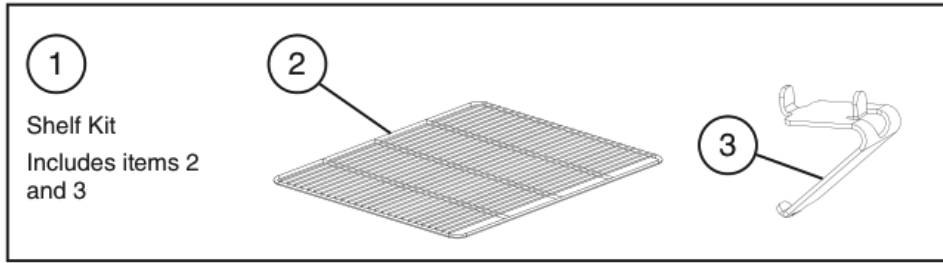


Title: E. Door-Half Solid Model: Half Solid												
Index No.	Description	Material or Model Number	Part Number	Required Number								
				J-5								
1	Upper Right/Lower Left Door Assembly (includes half the quantity of items 3 through 6)		<a href="#">2A7837G01</a>	1								
2	Lower Right/Upper Left Door Assembly (includes half the quantity of items 3 through 6)		<a href="#">2A7838G01</a>	1								
3	Gasket		<a href="#">2A5192-22</a>	2								
4	Truss Head Screw (Filler Screw)	5x10, SS	<a href="#">7C32-0510</a>	4								
5	Spring Cartridge		<a href="#">3A9206-01</a>	2								
5a	Spring Cartridge Screw	5x20, SS	<a href="#">7C42-0520</a>	4								
6	Nylon Bearing		<a href="#">4A5232-01</a>	2								
7	Upper/Lower Hinge Bracket		<a href="#">3A9689-01</a>	2								
7a	Truss Head Screw	5x12, SS	<a href="#">7C32-0512</a>	4								
8	Thrust Washer		<a href="#">4A5233-01</a>	4								
9	Lock Washer		<a href="#">4A5231-01</a>	2								
10	Screw		<a href="#">4A5230-01</a>	2								
11	Middle Hinge Bracket		<a href="#">3A9767G01</a>	1								
11a	Truss Head Screw	5x12, SS	<a href="#">7C42-0512</a>	2								
12	Thrust Washer		<a href="#">4A5234-01</a>	2								
13	Half-Door Lock		<a href="#">4A5249-01</a>	1								
13a	Bolt		<a href="#">449879-08</a>	1								

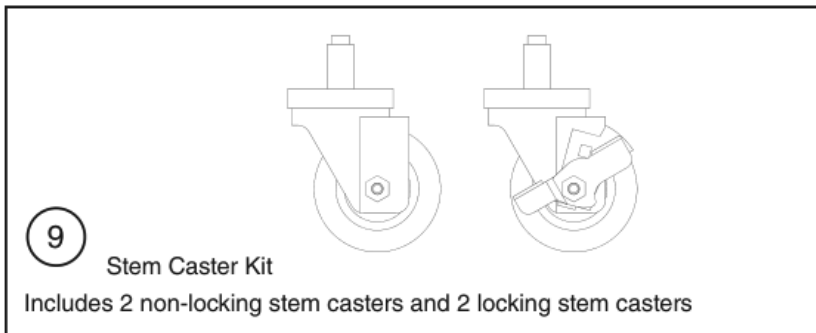
## F. Accessories & Labels

PT\_A-XX-XX

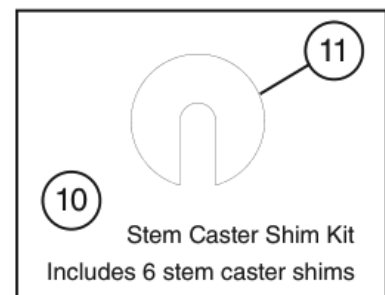
J-5



**Stem Caster**



**Stem Caster Shim**



Title: F. Accessories & Labels Model: PT_A-XX-XX												
Index No.	Description	Material or Model Number	Part Number	Required Number								
				J-5								
1	Shelf Kit (3 Pack) (includes items 2 and 3)	PT1A-XX-XX	3A4447A01 (HS-3550)	1								
	Shelf Kit (3 Pack) (one kit includes half of items 2 and 3)	PT2A-XX-XX		2								
2	Shelf	PT1A-XX-XX	3A2515-01 (HS-3551)	3								
		PT2A-XX-XX		6								
3	Shelf Clip	PT1A-XX-XX	428957-01	12								
		PT2A-XX-XX		24								
4	Center Shelf Kit (3 Pack) (includes items 5 and 6)	PT2A-XX-XX	3A4451A01 (HS-3510)	1								
5	Center Shelf	PT2A-XX-XX	2A1579-01 (HS-3509)	3								
6	Shelf Clip	PT2A-XX-XX	428957-01	3								
7	Hoshizaki Label		3B0043-01	1								
8	Penguin Label		475552L02	1								
Stem Caster												
9	4-inch Stem Caster Pack (includes 1 locking caster and 1 non-locking caster)		4A1347-03	2								
10	Stem Caster Shim Kit (includes item 13)		HS-3590	1								
11	Stem Caster Shim		4A3658-01	6								