



# HOSHIZAKI

## Parts List

Steelheart Series  
Refrigerated Kitchen Equipment

### Models

R1A, F1A

R2A, F2A

R3A, F3A

Full Glass (FG), Full Solid (FS)

Half Glass(HG), Half Solid (HS)



[hoshizakiamerica.com](http://hoshizakiamerica.com)

Number: 71422  
Issued: 1-15-2019  
Revised: 6-10-2021

## CONTENTS

Auxiliary Codes.....	3
Note About Ordering Parts .....	8
A. Main Assembly .....	9
_1A-FG/FGCL/FGCR/FS/FSJ/FSL/FSLJ/HG/HS/HSL .....	9
_2A-FG/FS/HG/HS .....	12
_3A-FG/FGCL/FGCR/FS/FSCCL/FSCR/HG/HS.....	15
B. Refrigeration Circuit.....	18
_1A-FG/FGCL/FGCR/FS/FSJ/FSL/FSLJ/HG/HS/HSL	
_2A-FG/FS/HG/HS	
_3A-FG/FGCL/FGCR/FS/FSCCL/FSCR/HG/HS.....	18
C. Door-Full Glass.....	22
Right Hinged .....	22
Left Hinged.....	23
D. Door-Full Solid .....	25
Right Hinged .....	25
Left Hinged.....	26
E. Door-Half Glass .....	28
Right Hinged .....	28
Left Hinged.....	29
F. Door-Half Solid .....	31
Right Hinged .....	31
Left Hinged.....	32
G. Accessories & Labels.....	34
_1A-FG/FGCL/FGCR/FS/FSJ/FSL/FSLJ/HG/HS/HSL,	
_2A-FG/FS/HG/HS, _3A-FG/FGCL/FGCR/FS/FSCCL/FSCR/HG/HS .....	34

## Auxiliary Codes

### R1A-FG

H-5 December 2018  
J-5 January 2019  
J-6 June 2019  
J-7 July 2019  
K-5 January 2020  
K-6 October 2020  
L-5 January 2021

### R1A-FGCL

H-5 December 2018  
J-5 January 2019  
J-6 June 2019  
J-7 July 2019  
K-5 January 2020  
K-6 October 2020

### R1A-FGCR

J-5 January 2019  
J-6 June 2019  
J-7 July 2019  
K-5 July 2020  
K-6 October 2020  
L-5 January 2021

### R1A-FS

H-5 December 2018  
J-5 January 2019  
J-6 June 2019  
J-7 July 2019  
K-5 January 2020  
K-6 October 2020  
L-5 January 2021

### R1A-FSJ

J-5 March 2019  
J-6 June 2020  
J-7 July 2019  
L-5 January 2021

### R1A-FSL

H-5 December 2018  
J-5 January 2019  
J-6 June 2019  
J-7 July 2019  
K-5 February 2020  
K-6 October 2020  
L-5 January 2021

### R1A-FSLJ

J-5 March 2019  
J-7 August 2019  
K-5 August 2020  
L-5 January 2021

### R1A-HG

J-5 January 2019  
J-7 September 2019  
J-8 October 2019  
K-5 July 2020  
K-6 October 2020  
L-5 April 2021

### R1A-HS

H-5 November 2018  
J-5 April 2019  
J-6 June 2019  
J-7 August 2019  
K-5 February 2020  
K-6 October 2020  
L-5 January 2021

### R1A-HSL

H-5 December 2018  
J-5 February 2019  
J-6 June 2019  
K-5 February 2020  
J-7 July 2019  
K-5 February 2020  
L-5 January 2021

**Auxillary Code  
(Continued)**

**F1A-FG**

J-5 February 2019  
K-5 January 2020  
L-5 January 2021

**F1A-FS**

H-5 December 2018  
J-5 January 2019  
J-6 June 2019  
J-7 July 2019  
K-5 January 2020  
L-5 January 2021

**F1A-FSL**

H-5 December 2018  
J-5 January 2019  
J-6 June 2019  
J-7 July 2019  
K-5 January 2020  
L-5 January 2021

**F1A-HG**

J-5 January 2019  
J-7 November 2019  
K-5 October 2020  
L-5 April 2021

**F1A-HS**

H-5 November 2018  
J-5 February 2019  
J-6 June 2019  
J-7 July 2019  
K-5 February 2020  
L-5 January 2021

**F1A-HSL**

H-5 December 2018  
J-5 March 2019  
J-6 June 2019  
J-7 July 2019  
K-5 March 2020  
L-5 January 2021

**Auxillary Code  
(Continued)**

**R2A-FG**

H-5 December 2018  
J-5 January 2019  
J-6 April 2019  
J-8 July 2019  
J-9 November 2019  
K-5 March 2020  
L-5 January 2021

**R2A-FS**

H-5 December 2018  
J-5 January 2019  
J-6 June 2019  
J-7 July 2019  
J-8 November 2019  
K-5 January 2020  
L-5 January 2021

**R2A-HG**

J-5 January 2019  
J-6 May 2019  
J-7 September 2019  
K-5 March 2020  
L-5 March 2021

**R2A-HS**

H-5 November 2018  
J-5 February 2019  
J-6 June 2019  
J-7 September 2019  
K-5 March 2020  
L-5 January 2021

**Auxillary Code  
(Continued)**

**F2A-FG**

J-6 May 2019  
K-5 May 2020  
L-5 April 2021

**F2A-FS**

H-5 December 2018  
J-5 January 2019  
J-6 June 2019  
J-7 July 2019  
J-8 November 2019  
K-5 January 2020  
K-6 May 2020  
K-7 July 2020  
K-6 July 2020  
L-5 January 2021

**F2A-HG**

J-5 January 2019  
J-6 May 2019  
L-5 January 2021

**F2A-HS**

H-5 November 2018  
J-5 January 2019  
J-6 June 2019  
J-7 August 2019  
K-5 March 2020  
K-6 October 2020  
L-5 April 2021

**Auxillary Code  
(Continued)**

**R3A-FG**

J-5 March 2019  
J-6 June 2019  
J-7 July 2019  
J-8 November 2019  
K-5 February 2020  
K-6 November 2020  
L-5 February 2021

**R3A-FS**

J-5 January 2019  
J-6 June 2019  
J-7 July 2019  
J-8 November 2019  
K-5 January 2020  
K-6 October 2020  
L-5 January 2021

**R3A-FSCL**

J-5 January 2019

**R3A-FSCR**

J-5 March 2019

**R3A-HG**

J-5 July 2019  
K-5 August 2020  
L-5 March 2021

**R3A-HS**

H-5 December 2018  
J-5 January 2019  
J-6 June 2019  
L-5 May 2021

**F3A-FS**

J-5 March 2019  
J-6 June 2019  
J-7 July 2019  
J-8 November 2019  
K-5 January 2020  
L-5 January 2021

**F3A-HS**

H-5 December 2018  
J-5 May 2019  
J-7 August 2019  
K-5 March 2020

**\*Freezer Serial Numbers reworked to include TXV Heater (4A6197-01)**

F2A-FG	J60001E J60003E-J60012E	F2A-HG	J50001A-J5003A J60004E-J60006E
F2A-FS	J70959G-J70965G J70968G J70970G-J70976G J70979G J70981G J71120H-J71123H J71125H-J71173H J71176H J71235H J71271H-J71281H J71290J J71292J-J71338J J71340J-J71354J J71378K-J71379K J71382K-J71432K J71434K to K62991L	F2A-HS	J70007J-J70009J J70053H J70057H J70061H J70065K-J70076K

**Auxiliary Code Breakdown**

The auxiliary code is the first two characters in the serial number. The first character indicates the year. Years progress or regress in alphabetical order. The series runs from "A" through "V" and the letters "I" and "O" are skipped. The second character indicates significant part changes within a year. Base is "5" and this number advances for each change. In cases where there is a letter in parentheses, this designates the month. This is the last character in the serial number. The series runs from "(A)" through "(M)" and the letter "(I)" is skipped. This designation is only included when identifying a parts change within an auxiliary code.

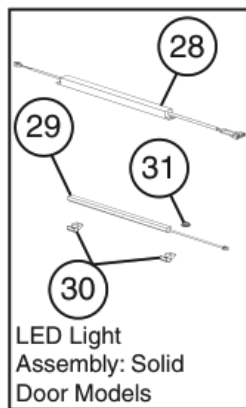
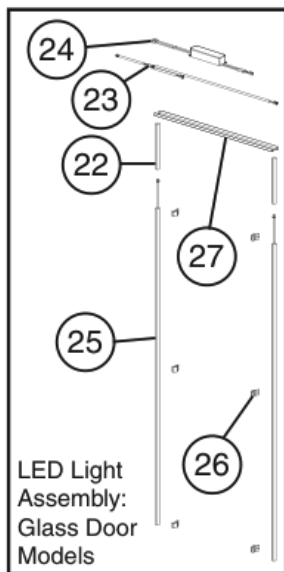
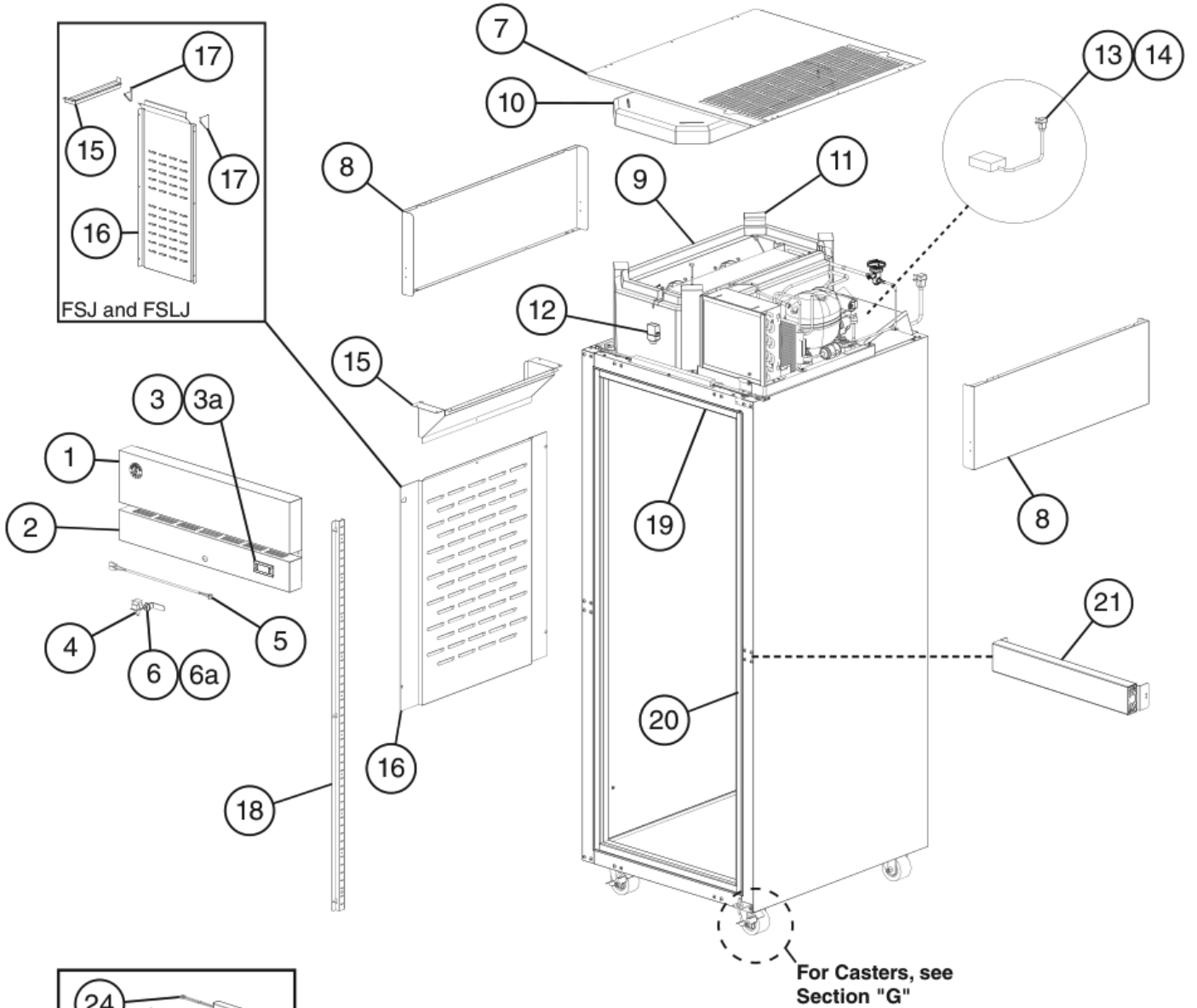
**Note About Ordering Parts**

Most assemblies cannot be ordered as complete units; parts in the assemblies generally must be ordered separately.

# A. Main Assembly

**\_1A-FG/FGCL/FGCR/FS/FSJ/FSL/FSLJ/HG/HS/HSL**

H-5 to L-5

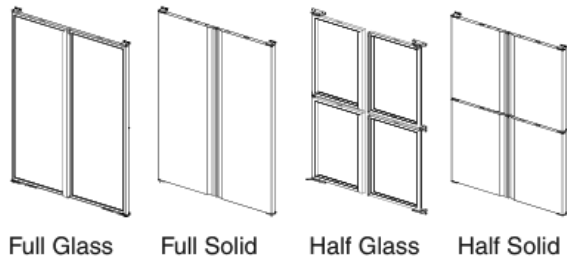
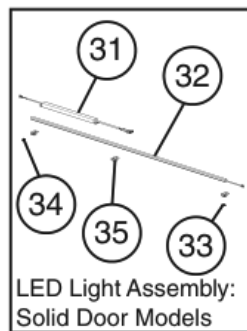
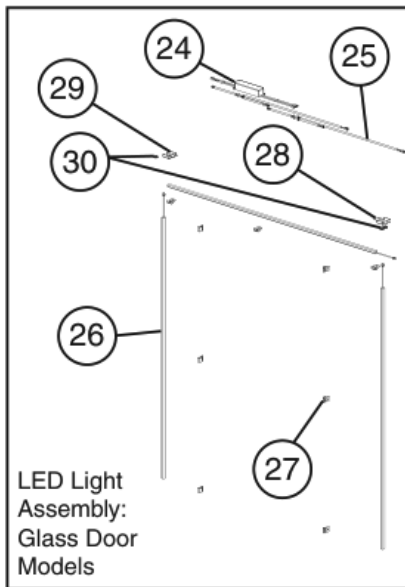
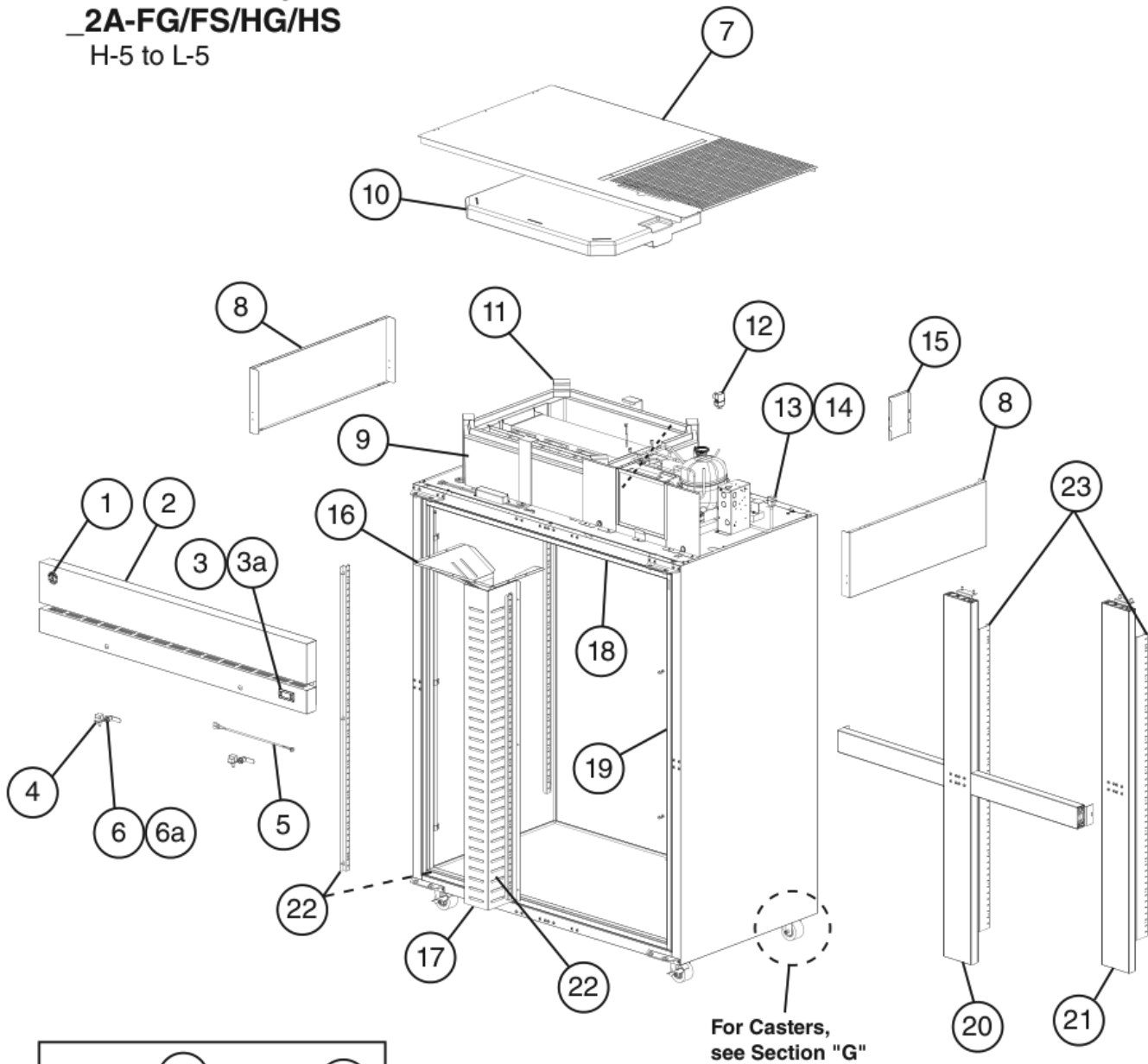


For Doors, see Section "C" through "F"

Title: A. Main Assembly Model: _1A-FG/FGCL/FGCR/FS/FSJ/FSL/FSLJ/HG/HS/HSL											
Index No.	Description	Material or Model Number	Part Number	Required Number							
				H-5 to J-5	J-6 to L-5						
1	Front Panel	_1A-XXXX	3A9604G01	1	1						
2	Control Panel	_1A-XXXX Except -HG Models	2A8615-01	1	1						
		-HG	2A8651-01	1	1						
3	Control Module	R1A-FS/FSJ/ FSL/FSLJ/HS/ HSL	4A6195G01	1	1						
		R1A-FG/FGCL/ FGCR/HG	4A6626G01	1	1						
		F1A-FS/FSL/ HS/HSL	4A6196G01	1	1						
		F1A-FG/HG	4A6627G01	1	1						
3a	Control Module Mounting Clip		4A5502-01	2	2						
4	Door Switch		3A1826-01	1	1						
5	Door Switch Wire Harness		4A6203-01	1	1						
6	Lock (includes 2 of item 6a)		4A4924-01	1	1						
6a	Key		4A5453-01	1	1						
7	Top Louver		2A8254-01	1	1						
8	Side Panel		2A8252-01	2	2						
9	Evaporator Case		1A4781-01	1	1						
10	Evaporator Cover		1A4782-01	1	1						
11	Evaporator Case Latch		3A9802-01	4	4						
12	Pressure Relief Valve		4A5694-01		1						
13	Power Supply Cord/ Wire Harness		3A9838-01	1	1						
14	Connector Cap	R1A-XXXX	4A6229-01	4	4						
15	Air Distribution Top	_1A-XXXX Except -FSJ, -FSLJ	1A3951-01	1	1						
		-FSJ, -FSLJ	2A9236-01	1	1						
16	Air Distribution Panel	_1A-XXXX Except -FSJ, -FSLJ	1A4930-01	1	1						
		-FSJ, -FSLJ	1A5710-01	1	1						
17	Air Distribution Cap	-FSJ, -FSLJ (Right)	2A9237-01	1	1						
		-FSJ, -FSLJ (Left)	2A9238-01	1	1						
18	Pilaster		3A0145-01	4	4						
19	Horizontal Thermal Breaker Cover	561 mm	2A9350-01	2	2						
20	Vertical Thermal Breaker Cover	1552 mm	2A9349-01	2	2						
21	Horizontal Mullion	R1A-HS/HG/ HSL	2A8664A01	1	1						
		F1A-HS/HG/ HSL	2A8824A01	1	1						

Title: A. Main Assembly Model: _1A-FG/FGCL/FGCR/FS/FSJ/FSL/FSLJ/HG/HS/HSL												
Index No.	Description	Material or Model Number	Part Number	Required Number								
				H-5 to J-5	J-6 to L-5							
22	LED Lens (wire sleeve)	<b>-FG, -FGCL, -FGCR, -HG</b>	3A9861-01	2	2							
23	LED Y Harness		4A6080-01	1	1							
24	LED Driver		3A9820-01	1	1							
25	LED Lamp		3A9868-01	2	2							
26	LED Clip		4A5906-01	6	6							
27	LED Bracket		2A8826-01	1	1							
28	LED Driver	<b>-FS, -FSJ, -FSL, -FSLJ, -HS, -HSL</b>	3A9867-01	1	1							
29	LED Lamp		3A9788-01	1	1							
30	LED Clip		4A5906-01	2	2							
31	LED Bushing		425307-02	1	1							

**A. Main Assembly**  
**2A-FG/FS/HG/HS**  
 H-5 to L-5



For Doors, see Sections "C" through "F"

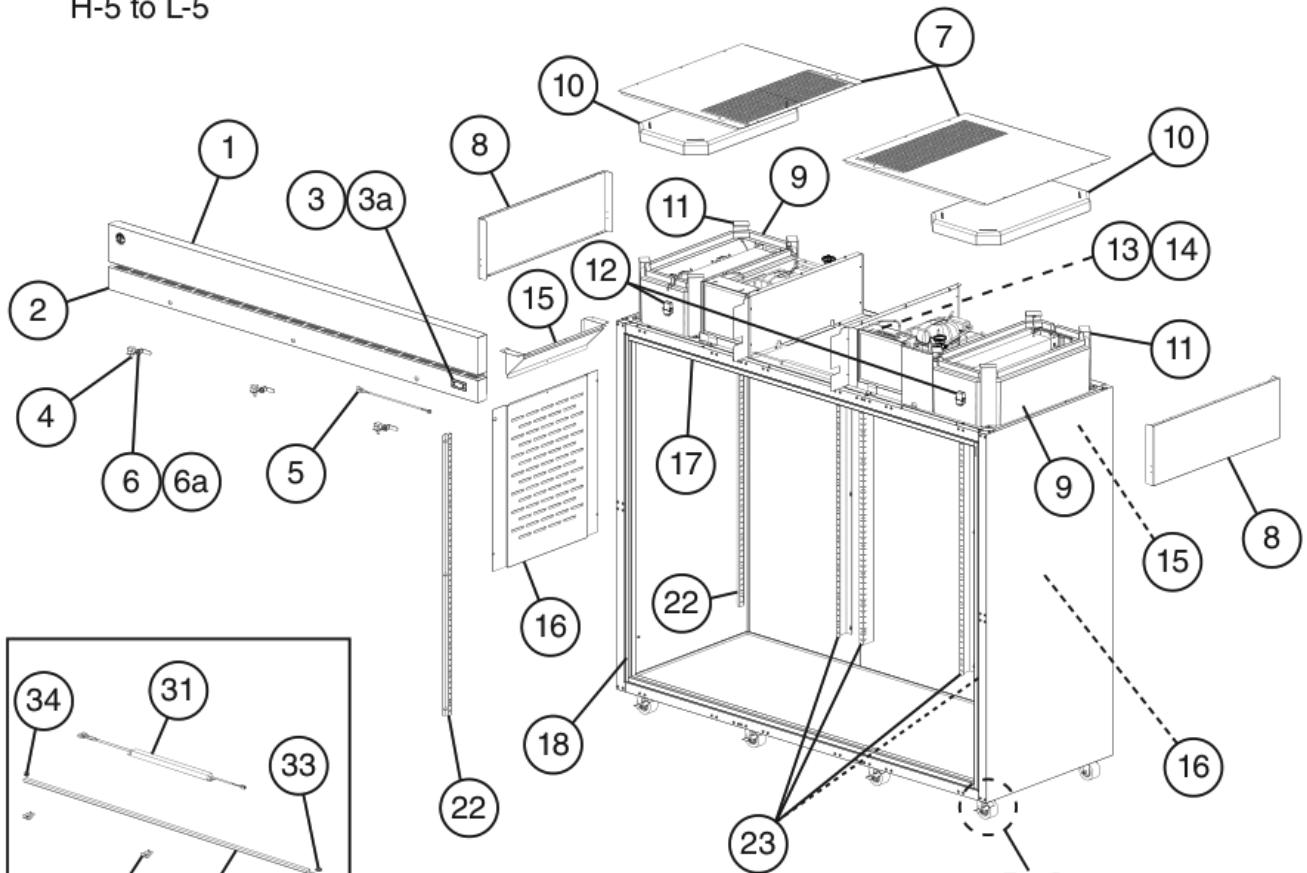
Title: A. Main Assembly Model: _2A-FG/FS/HG/HS/HS										
Index No.	Description	Material or Model Number	Part Number	Required Number						
				H-5 to J-5 (C)	J-5 (D) to J-5 (E)	J-6 to L-5				
1	Front Panel	_2A-XXXX	3A9740G01	1	1	1				
2	Control Panel	_2A-XXXX Except -HG Models	2A8583-01	1	1	1				
		_2A-HG	2A8726-01	1	1	1				
3	Control Module	R2A-FS/HS	4A6195G01	1	1	1				
		R2A-FG/HG	4A6626G01	1	1	1				
		F2A-FS/HS	4A6196G01	1	1	1				
		F2A-FG/HG	4A6627G01	1	1	1				
3a	Control Module Mounting Clip		4A5502-01	2	2	2				
4	Door Switch		3A1826-01	2	2	2				
5	Door Switch Wire Harness		4A6203-01	1	1	1				
6	Lock (includes 2 of item 6a)		4A4924-01	2	2	2				
6a	Key		4A5453-01	2	2	2				
7	Top Louver		2A8725-01	1	1	1				
8	Side Panel		2A8252-01	2	2	2				
9	Evaporator Case		1A4829-01	1	1	1				
10	Evaporator Cover		1A4828-01	1	1	1				
11	Evaporator Case Latch		3A9802-01	6	6	6				
12	Pressure Relief Valve		4A5694-01			1				
13	Power Supply Cord/ Wire Harness		3A9838-01	1	1	1				
14	Connector Cap	R2A-XXXX	4A6229-01	4	4	4				
15	Control Box Cover	F2A-XXXX	3B0037-01	1	1	1				
16	Air Distribution Top		1A3950-03	1	1	1				
17	Air Distribution Channel		1A5035-01	1	1	1				
18	Horizontal Thermal Breaker Cover	1260 mm	2A9350-02	2	2	2				
19	Vertical Thermal Breaker Cover	1552 mm	2A9349-01	2	2	2				
20	Cross Mullion (Includes 2 Mullion Pilasters)	R2A-HS/HG	2A8746A01	1	1	1				
		F2A-HS/HG	2A8836A01	1	1	1				
21	Vertical Mullion (Includes 2 Mullion Pilasters)	R2A-FS/FG	2A8734A01	1	1	1				
		F2A-FS/FG	2A8835A01	1	1	1				
22	Pilaster	_2A-XXXX	3A0145-01	6	6	6				
23	Mullion Pilaster		2A9426-01	2	2	2				
24	LED Driver	_2A-FG/HG	3A9820-01	1	1	1				
25	LED Y Harness		4A6080-01	2	2	2				
26	LED Lamp		3A9868-01	3	3	3				
27	LED Clip		4A5906-01	9	9	9				
28	LED Bracket (Right)		3B0243-01	1	1	1				
29	LED Bracket (Left)		3B0243-02	1	1	1				
30	Bushing		425307-02	2	-					

Title: A. Main Assembly    Model: _2A-FG/FS/HG/HS/HS											
Index No.	Description	Material or Model Number	Part Number	Required Number							
				H-5 to J-5 (C)	J-5 (D) to J-5 (E)	J-6 to L-5					
31	LED Driver	<b>_2A-FS/HS</b>	3A9867-01	1	1	1					
32	LED Lamp		3A9868-01	1	1	1					
33	Bushing		425307-02	1	1	1					
34	Hole Plug		4A0586-10	1	1	1					
35	LED Clip		4A5906-01	3	3	3					

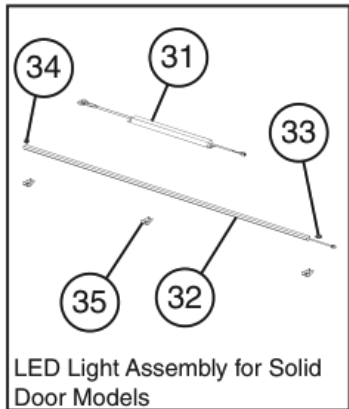
# A. Main Assembly

**3A-FG/FGCL/FGCR/FS/FSCL/FSCR/HG/HS**

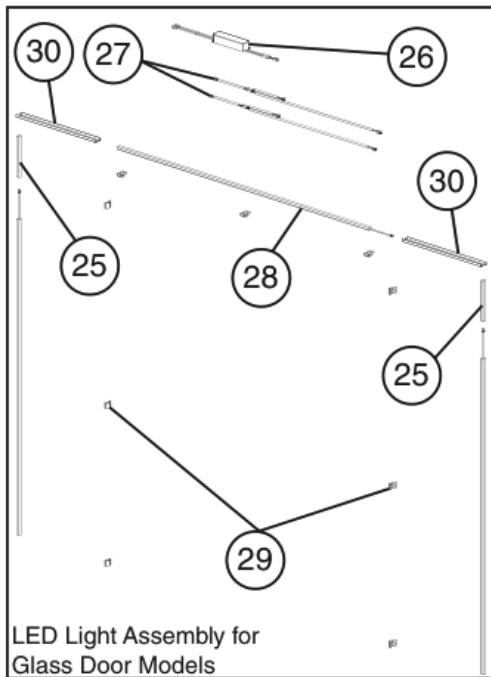
H-5 to L-5



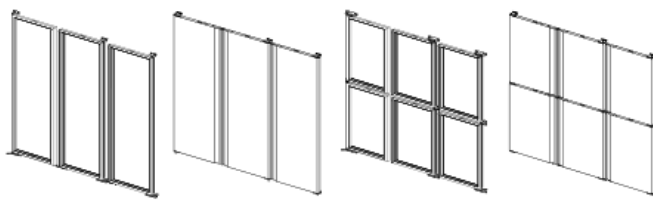
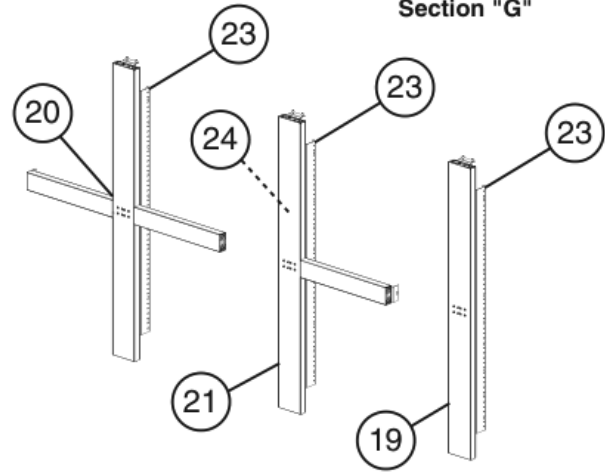
For Casters, see Section "G"



LED Light Assembly for Solid Door Models



LED Light Assembly for Glass Door Models



Full Glass    Full Solid    Half Glass    Half Solid

For Doors, see Sections "C" through "F"

Title: A. Main Assembly Model: _3A-FG/FGCL/FGCR/FS/FSCL/FSCR/HG/HS										
Index No.	Description	Material or Model Number	Part Number	Required Number						
				H-5 J-5	J-6 to L-5					
1	Front Panel		3A9914G01	1	1					
2	Control Panel	R3A-XXXX Except R3A-HG	1A5164-01	1	1					
		R3A-HG	1A5259-01	1	1					
3	Control Module	R3A-FS/FSCL/ FSCR/HS	4A6195G01	1	1					
		R3A-FG/FGCL/ FGCR/HG	4A6626G01	1	1					
		F3A-HS/FS	4A6196G01	1	1					
3a	Control Module Mounting Clip		4A5502-01	2	2					
4	Door Switch		3A1826-01	3	3					
5	Door Switch Harness		4A6203-01	1	1					
6	Lock (includes 2 of item 6a)		4A4924-01	3	3					
6a	Key		4A5453-01	3	3					
7	Top Louver	Left	2A8254-01	1	1					
		Right	2A8963-01	1	1					
8	Side Panel		2A8252-01	2	2					
9	Evaporator Case		1A4781-01	2	2					
10	Evaporator Cover		1A4782-01	2	2					
11	Evaporator Case Latch		3A9802-01	8	8					
12	Pressure Relief Valve		4A5694-01		2					
13	Power Supply Cord	R3A-XXXX	4A0520-01	1	1					
		F3A-XXXX	4A6500-01	1	1					
14	Control Box Cover		2A9098-01	1	1					
15	Air Distribution Top		1A3951-01	2	2					
16	Air Distribution Panel		1A4930-01	2	2					
17	Horizontal Thermal Breaker Cover	1958 mm	2A9350-03	2	2					
18	Vertical Thermal Breaker Cover	1552 mm	2A9349-01	2	2					
19	Vertical Mullion (Includes 2 Pilaster)	R3A-XXXX Except -HG/HS Models	2A8734A01	2	2					
		F3A-FS	2A8835A01	2	2					
20	Cross Mullion (Includes 2 Pilaster)	R3A-HG/HS	2A8892A01	1	1					
		F3A-HS	2A8893A01	1	1					
21	Tee Mullion (Includes 2 Pilaster)	R3A-HG/HS	2A8747A01	1	1					
		F3A-HS	2A8837A01	1	1					
22	Pilaster	_3A-XXXX	3A0145-01	4	4					
23	Mullion Pilaster	_3A-XXXX Except -HG/HS Models	2A9426-01	8	8					
		-HG/HS		7	7					
24	Tee Mullion Pilaster	-HG/HS	2A9427-01	1	1					

Title: A. Main Assembly Model: _3A-FG/FGCL/FGCR/FS/FSCS/FSCR/HG/HS											
Index No.	Description	Material or Model Number	Part Number	Required Number							
				H-5 J-5	J-6 to L-5						
25	LED Lens	<b>3A-FG/FGCL/ FGCR/HG</b>	3A9861-01	2	2						
26	LED Driver		3A9820-01	1	1						
27	LED Y Harness		4A6080-01	2	2						
28	LED Lamp		3A9868-01	3	3						
29	LED Clip		4A5906-01	9	9						
30	LED Bracket		2A8894-01	2	2						
31	LED Driver	<b>3A-FS/FSCS/ FSCR/HS</b>	3A9867-01	1	1						
32	LED Lamp		3A9868-01	1	1						
33	Bushing		425307-02	1	1						
34	Hole Plug		4A0586-10	1	1						
35	LED Clip		4A5906-01	3	3						

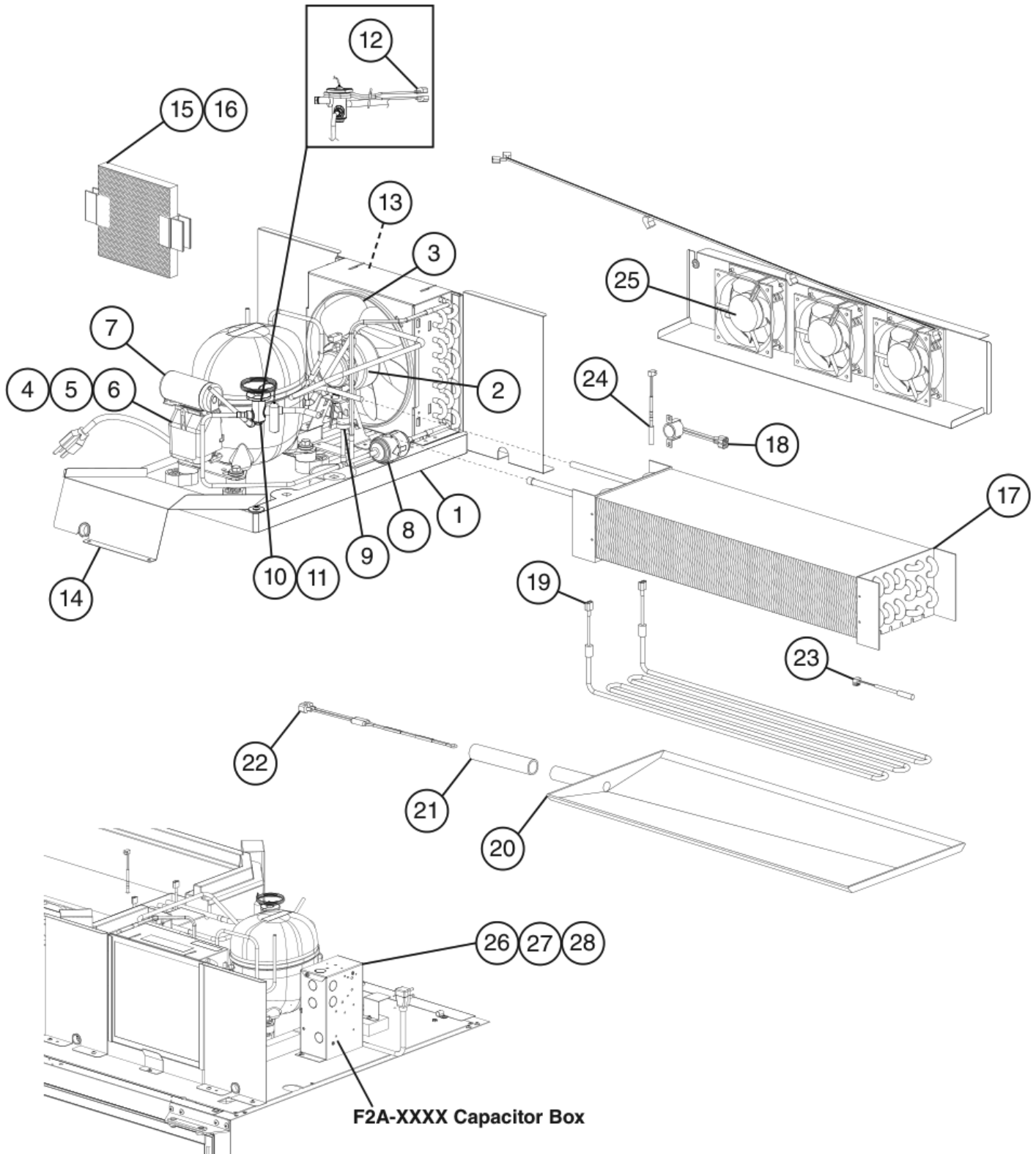
## B. Refrigeration Circuit

1A-FG/FGCL/FGCR/FS/FSJ/FSL/FSLJ/HG/HS/HSL

2A-FG/FS/HG/HS

3A-FG/FGCL/FGCR/FS/FSCS/FSCR/HG/HS

H-5 to L-5



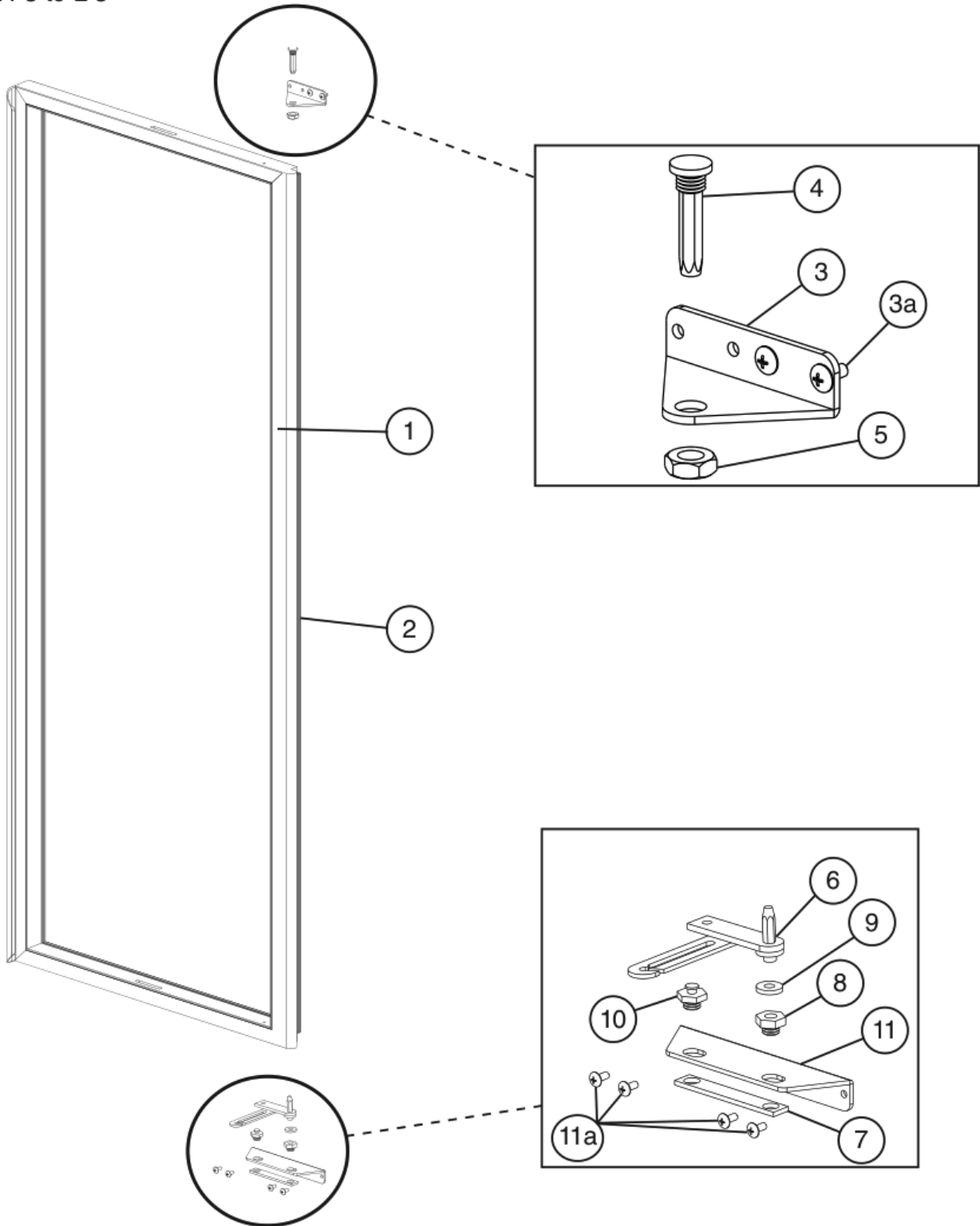
Title: B. Refrigeration Circuit Model: _1A-FG/FGCL/FGCR/FS/FSJ/FSL/FSLJ/HG/HS/HSL, 2A-FG/FS/HG/HS, _3A-FG/FGCL/FGCR/FS/FSCL/FSCR/HG/HS												
Index No.	Description	Material or Model Number	Part Number	Required Number								
				H-5	J-5	J-6	*J-7	*J-8	*J-9 to *K-6	L-5		
1	Condensing Unit (includes compressor, condenser, and items 2 through 8, compressor and condenser are not sold individually)	R1A-XXXX	2A8791-01	1	1	1	1	1	1	1	1	
		R3A-XXXX		2	2	2	2	2	2	2	2	
		F1A-XXXX	2A8792-01	1	1	1	1	1	1	1	1	
		F3A-XXXX		2	2	2	2	2	2	2	2	
		R2A-XXXX	2A8793-01	1	1	1	1	1	1	1	1	
	Condensing Unit (includes compressor, condenser, control box (start relay, start capacitor, and run capacitor) and items 2, 3, 6 through 8, compressor and condenser are not sold individually)	F2A-XXXX	2A8794-01	1	1	1	1	1	1	1		
2	Condenser Fan Motor	_1A-XXXX, _2A-XXXX	4A6376-01	1	1	1	1	1	1	1	1	
		_3A-XXXX		2	2	2	2	2	2	2	2	
3	Condenser Fan Blade	_1A-XXXX, _2A-XXXX	4A6377-01	1	1	1	1	1	1	1	1	
		_3A-XXXX		2	2	2	2	2	2	2	2	
4	Compressor External Protector	R1A-XXXX	4A6387-01	1	1	1	1	1	1	1	1	
		R3A-XXXX		2	2	2	2	2	2	2	2	
		R2A-XXXX	4A6388-01	1	1	1	1	1	1	1	1	
		F1A-XXXX	4A6389-01	1	1	1	1	1	1	1	1	
		F3A-XXXX		2	2	2	2	2	2	2	2	
5	Start Relay	R1A-XXXX	4A6383-01	1	1	1	1	1	1	1	1	
		R3A-XXXX		2	2	2	2	2	2	2	2	
		R2A-XXXX	4A6384-01	1	1	1	1	1	1	1	1	
		F1A-XXXX	4A6385-01	1	1	1	1	1	1	1	1	
		F3A-XXXX		2	2	2	2	2	2	2	2	
6	Condensing Unit Power Supply Cord	R1A-XXXX, R2A-XXXX	4A6501-01	1	1	1	1	1	1	1	1	
		R3A-XXXX		2	2	2	2	2	2	2	2	
		F1A-XXXX	4A6502-01	1	1	1	1	1	1	1	1	
		F3A-XXXX		2	2	2	2	2	2	2	2	
		F2A-XXXX	4A6503-01	1	1	1	1	1	1	1	1	
7	Start Capacitor	R1A-XXXX	4A6378-01	1	1	1	1	1	1	1	1	
		R3A-XXXX		2	2	2	2	2	2	2	2	
		R2A-XXXX	4A6379-01	1	1	1	1	1	1	1	1	
		F1A-XXXX	4A6380-01	1	1	1	1	1	1	1	1	
		F3A-XXXX		2	2	2	2	2	2	2	2	
8	Drier	_1A-XXXX, _2A-XXXX	4A1113-01	1	1	1	1	1	1	1	1	
		_3A-XXXX		2	2	2	2	2	2	2	2	
9	High-Pressure Switch	_1A-XXXX, _2A-XXXX	4A6039-01	1	1	1	1	1	1	1	1	
		_3A-XXXX		2	2	2	2	2	2	2	2	

**Title: B. Refrigeration Circuit Model: \_1A-FG/FGCL/FGCR/FS/FSJ/FSL/FSLJ/HG/HS/HSL, 2A-FG/FS/HG/HS, \_3A-FG/FGCL/FGCR/FS/FSL/FSCR/HG/HS**

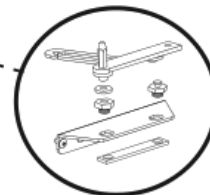
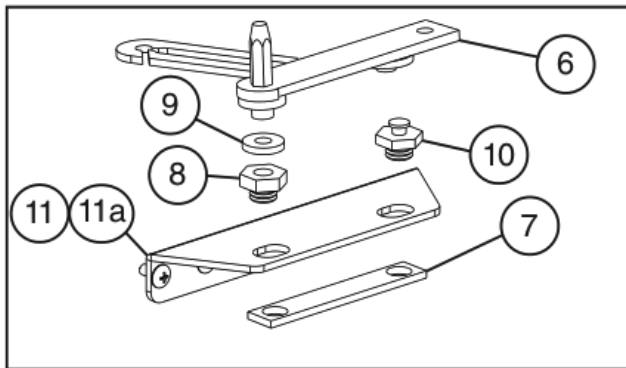
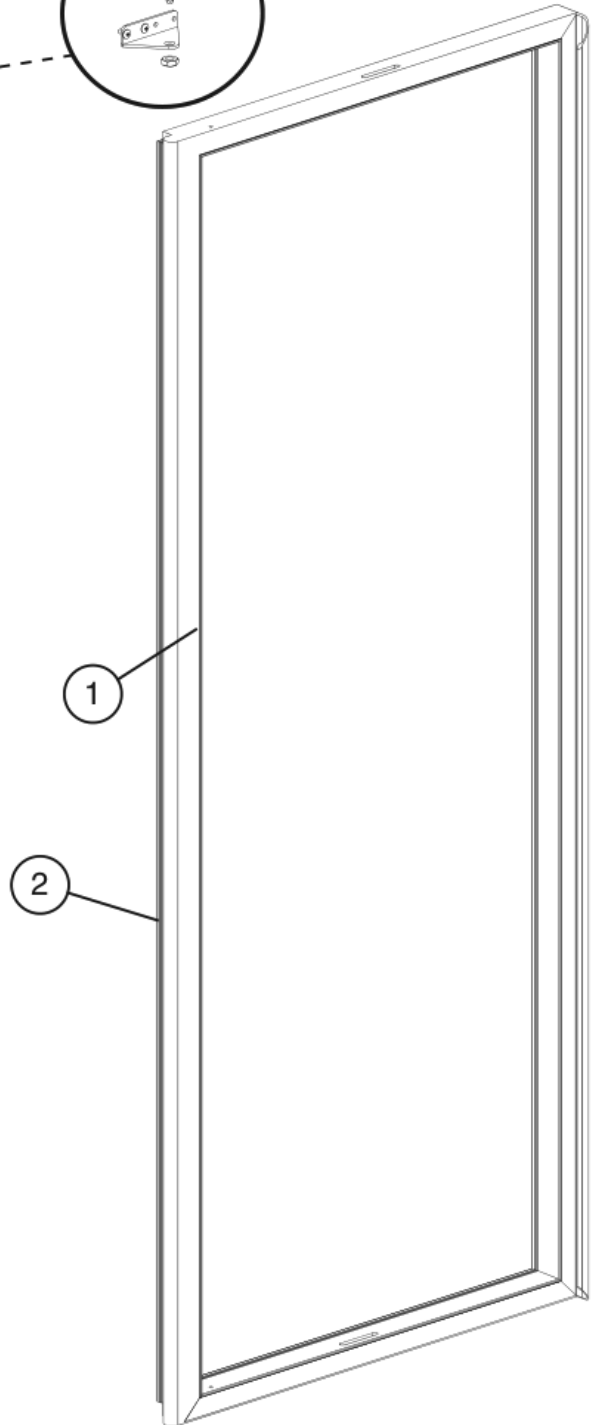
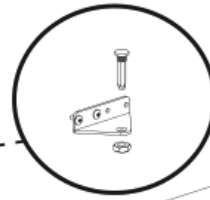
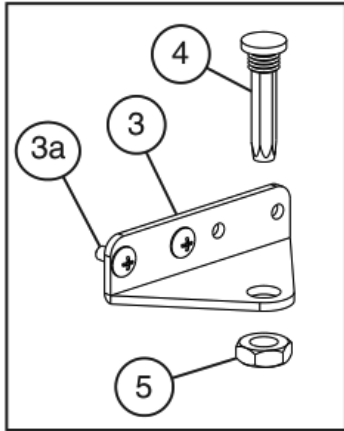
Index No.	Description	Material or Model Number	Part Number	Required Number										
				H-5	J-5	J-6	*J-7	*J-8	*J-9 to *K-6	*K-6 L-5				
10	Thermostatic Expansion Valve	R1A-XXXX	4A6869-01	1	1	1	1	1	1	1	1			
		R3A-XXXX		2	2	2	2	2	2	2	2			
		R2A-XXXX	4A6816-01	1	1	1	1	1	1	1	1	1		
		F1A-XXXX	4A6816-01	1	1	1	1	1	1	1	1	1		
		F3A-XXXX		2	2	2	2	2	2	2	2	2		
		F2A-XXXX	4A6826-01	1	1	1	1	1	1	1	1	1		
11	Thermostatic Expansion Valve Cover	_1A-XXXX, _2A-XXXX	4A6201-01	1	1	1	1	1	1	1	1			
		_3A-XXXX		2	2	2	2	2	2	2	2			
12	Thermostatic Expansion Valve Heater *For Freezers Aux. Code J-7 and earlier see page 6 "Freezer Serial Numbers reworked to include TXV Heater"	R2A-FG	4A6197-01			1	1	1	-					
		R2A-FS					1	-						
		R2A-HG			1	1	1	1	-					
		R2A-HS					1	1	-					
		F2A-FG				1	1	1	1	-				
		*F2A-FS					1	1	1	-				
		F2A-HG			1	1	1	1	1	-				
F2A-HS						1	1	1	-					
13	Air Filter	_1A-XXXX, _2A-XXXX	4A6189-01	1	1	1	1	1	1	1	1			
		_3A-XXXX		2	2	2	2	2	2	2	2			
14	Deflector	_1A-XXXX, _3A-XXXX	2A9004-01	1	1	1	1	1	1	1	1			
15	Wick	R1A-XXXX, R2A-XXXX	4A6188-01	1	1	1	1	1	1	1	1			
		R3A-XXXX		2	2	2	2	2	2	2	2			
16	Wick Retainer	R1A-XXXX, R2A-XXXX	4A6164-01	2	2	2	2	2	2	2	2			
		R3A-XXXX		4	4	4	4	4	4	4	4			
17	Evaporator	_1A-XXXX	2A8783-01	1	1	1	1	1	1	1	1			
		_3A-XXXX		2	2	2	2	2	2	2	2			
		_2A-XXXX	2A8631-01	1	1	1	1	1	1	1	1			
18	Defrost Thermostat	F1A-XXXX, F2A-XXXX	4A6194-01	1	1	1	1	1	1	1	1			
		F3A-XXXX		2	2	2	2	2	2	2	2			
19	Defrost Heater	F1A-XXXX	3A9800-01	1	1	1	1	1	1	1	1			
		F3A-XXXX		2	2	2	2	2	2	2	2			
		F2A-XXXX	3A9801-01	1	1	1	1	1	1	1	1			
20	Evaporator Drain Pan	_1A-XXXX	1A4805-01	1	1	1	1	1	1	1	1			
		_3A-XXXX		2	2	2	2	2	2	2	2			
		_2A-XXXX	1A4827-01	1	1	1	1	1	1	1	1			
21	Drain Hose	_1A-XXXX	7716-2025	1	1	1	1	1	1	1	1			
		_2A-XXXX												
		_3A-XXXX		2	2	2	2	2	2	2	2			
22	Drain Tube Heater	F1A-XXXX, F2A-XXXX	4A6197-01	1	1	1	1	1	1	1	1			
		F3A-XXXX		2	2	2	2	2	2	2	2			

Title: B. Refrigeration Circuit Model: _1A-FG/FGCL/FGCR/FS/FSJ/FSL/FSLJ/HG/HS/HSL, 2A-FG/FS/HG/HS, _3A-FG/FGCL/FGCR/FS/FSCL/FSCR/HG/HS												
Index No.	Description	Material or Model Number	Part Number	Required Number								
				H-5	J-5	J-6	*J-7	*J-8	*J-9 to *K-6	L-5		
23	Cabinet Thermistor	_1A-XXXX, _2A-XXXX, _3A-XXXX	4A4864-02	1	1	1	1	1	1	1		
24	Defrost Thermistor	_1A-XXXX, _2A-XXXX	4A4865-02	1	1	1	1	1	1	1		
		_3A-XXXX	4A4865-03	1	1	1	1	1	1	1		
25	Evaporator Fan Motor	_1A-XXXX	4A6192-01	2	2	2	2	2	2	2		
		_2A-XXXX		3	3	3	3	3	3	3		
		_3A-XXXX		4	4	4	4	4	4	4		
<b>Capacitor Box F2A-XXX Only</b>												
26	Start Relay	F2A-XXXX	4A6386-01	1	1	1	1	1	1	1		
27	Start Capacitor	F2A-XXXX	4A6381-01	1	1	1	1	1	1	1		
28	Run Capacitor	F2A-XXXX	4A6382-01	1	1	1	1	1	1	1		

**C. Door-Full Glass  
Right Hinged  
1/2**  
H-5 to L-5

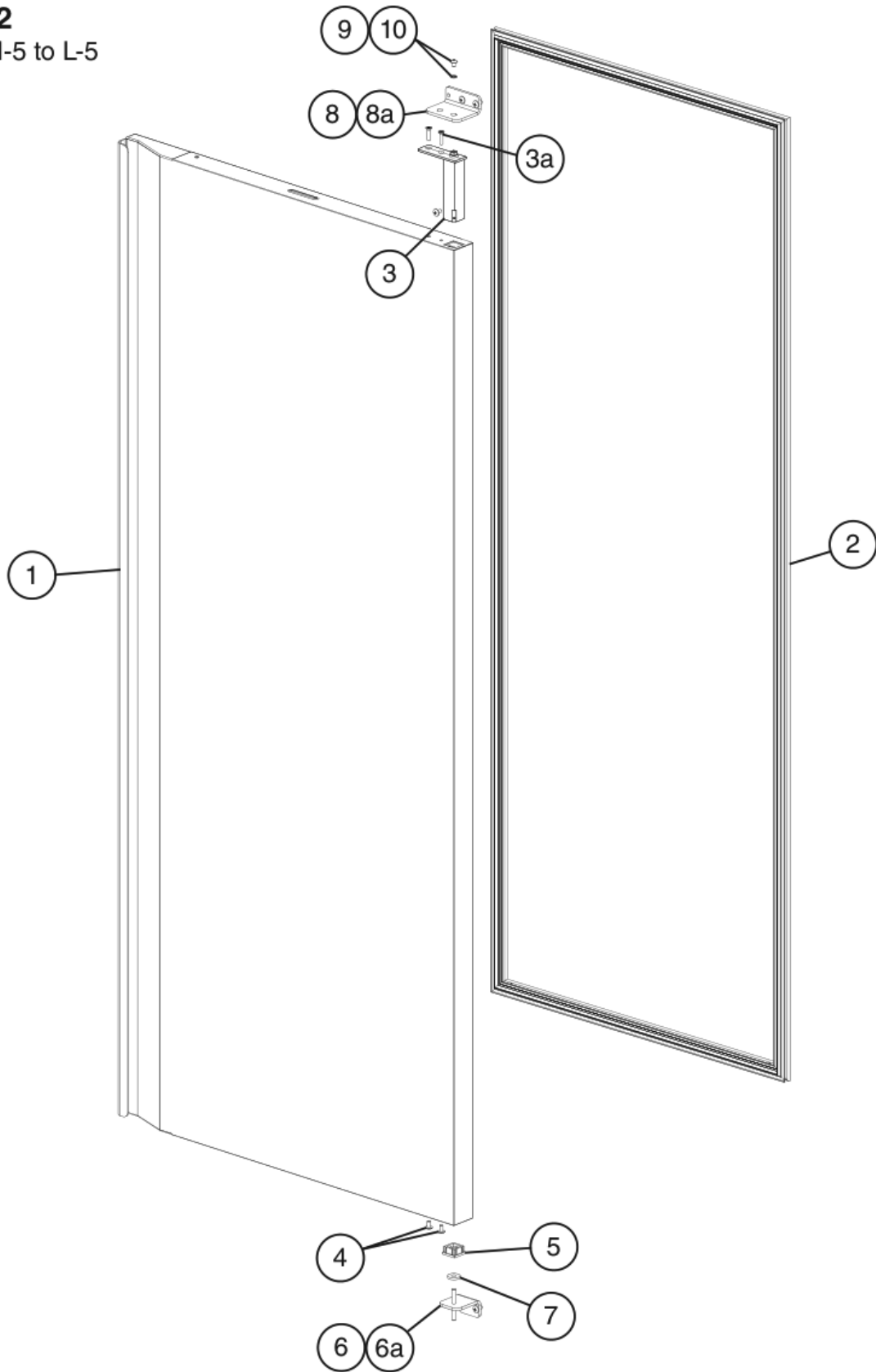


**C. Door-Full Glass**  
**Left Hinged**  
**2/2**  
H-5 to L-5



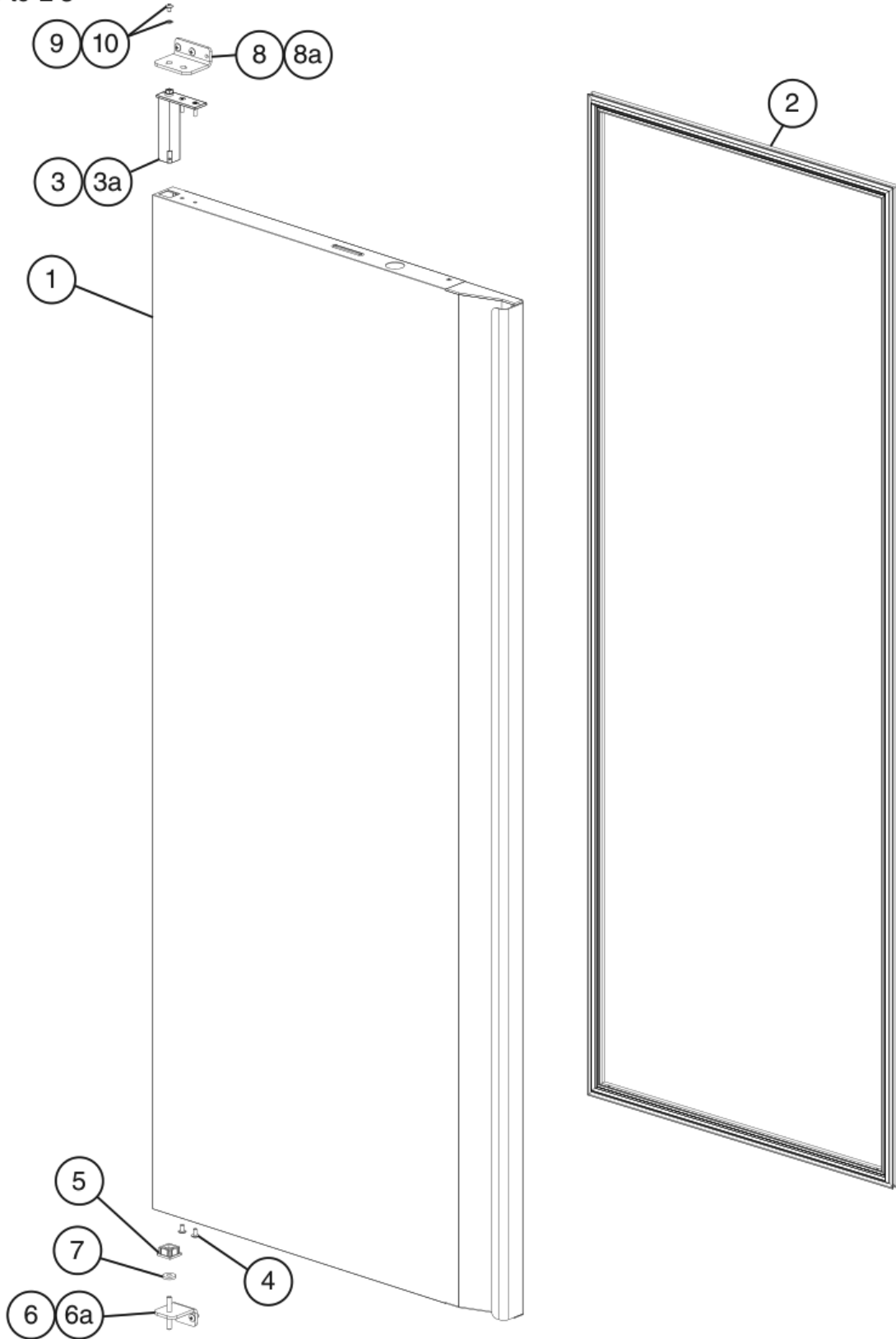
Title: C. Door-Full Glass Model: Full Glass											
Index No.	Description	Material or Model Number	Part Number	H-5 to L-5	Required Number						
1	Right Glass Door	R_A-FG/FGCR	2A7834-03	1							
		F_A-FG	2A7834-04	1							
	Left Glass Door	R_A-FG/FGCL	2A7834-01	1							
		F2A-FG	2A7834-02	1							
2	Gasket		3A8864-01	1							
3	Upper Hinge Bracket		3A9162-01	1							
3a	Truss Head Screw	5x12, SS	7C32-0512	2							
4	Tension Rod (hinge pin)		3A7946-04	1							
5	Lock Nut		3A7946-05	1							
6	Lower Hinge Arm		3A7946-01	1							
7	Backer Plate		3A7946-08	1							
8	Bottom Hinge Bushing		3A7946-09	1							
9	Nylon Washer		3A7946-10	1							
10	Slide Pin		3A7946-11	1							
11	Lower Hinge Bracket		3A9161-01	1							
11a	Truss Head Screw	5x12, SS	7C32-0512	4							

**D. Door-Full Solid  
Right Hinged  
1/2**  
H-5 to L-5



**D. Door-Full Solid  
Left Hinged  
2/2**

H-5 to L-5

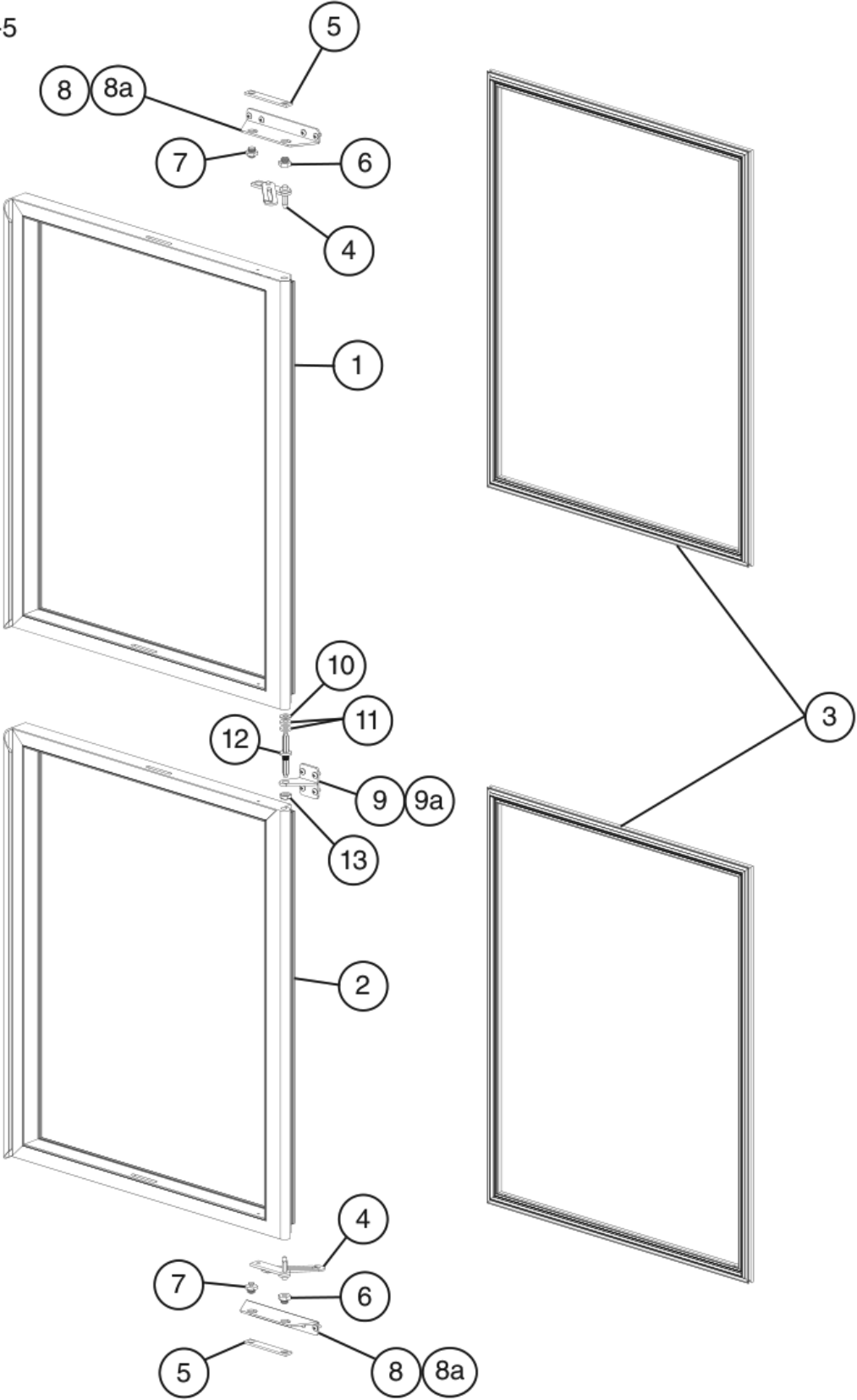


Title: D. Door-Full Solid Model: Full Solid											
Index No.	Description	Material or Model Number	Part Number	H-5 to L-5	Required Number						
1	Right Door Assembly (includes items 2 through 5)		<a href="#">2A7814G01</a>	1							
	Left Door Assembly (includes items 2 through 5)		<a href="#">2A7817G01</a>	1							
2	Gasket		<a href="#">2A5192-23</a>	1							
3	Spring Cartridge		<a href="#">3A9206-01</a>	1							
3a	Spring Cartridge Screw	5x20, SS	<a href="#">7C42-0520</a>	2							
4	Truss Head Screw (Filler Screw)	5x10, SS	<a href="#">7C32-0510</a>	2							
5	Nylon Bearing		<a href="#">4A5232-01</a>	1							
6	Lower Hinge Bracket		<a href="#">3A9767G01</a>	1							
6a	Truss Head Screw	5x12, SS	<a href="#">7C32-0512</a>	2							
7	Thrust Washer		<a href="#">4A5234-01</a>	1							
8	Upper Hinge Bracket		<a href="#">3A9689-01</a>	1							
8a	Truss Head Screw	5x12, SS	<a href="#">7C32-0512</a>	2							
9	Upper Hinge Bracket Washer		<a href="#">4A5231-01</a>	1							
10	Upper Hinge Bracket Screw		<a href="#">4A5230-01</a>	1							

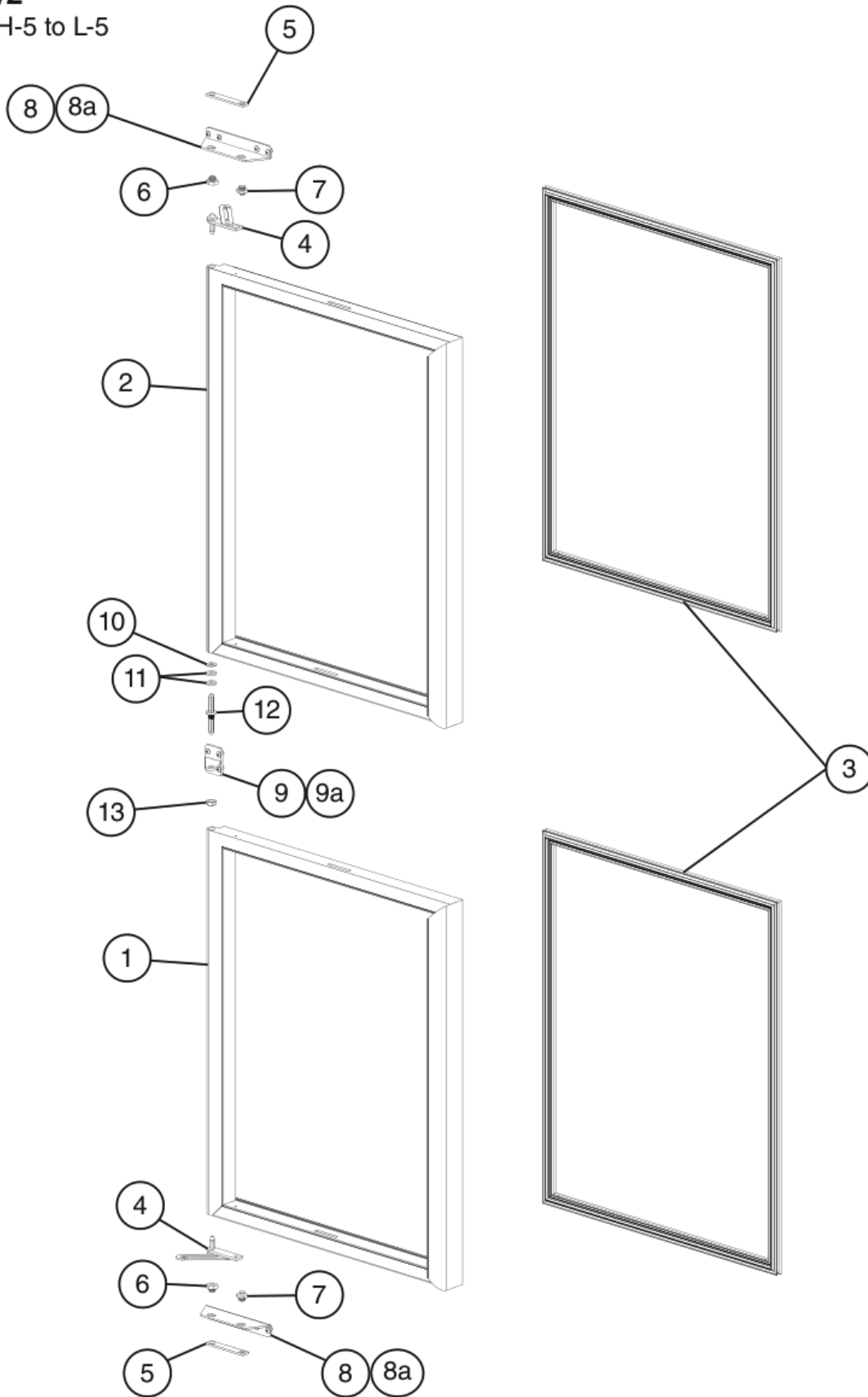
**E. Door-Half Glass**  
**Right Hinged**

**1/2**

H-5 to L-5

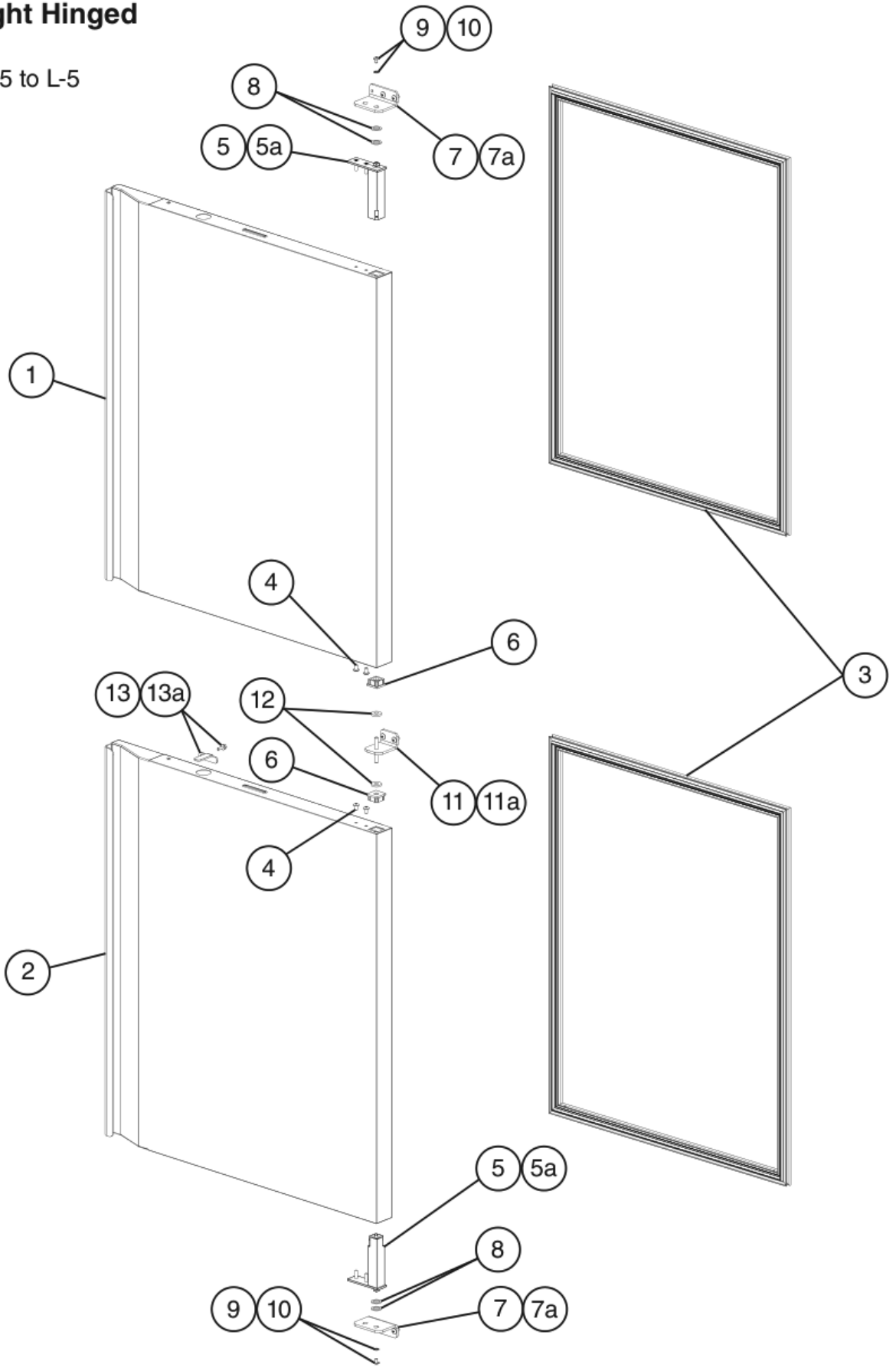


**E. Door-Half Glass**  
**Left Hinged**  
**2/2**  
H-5 to L-5



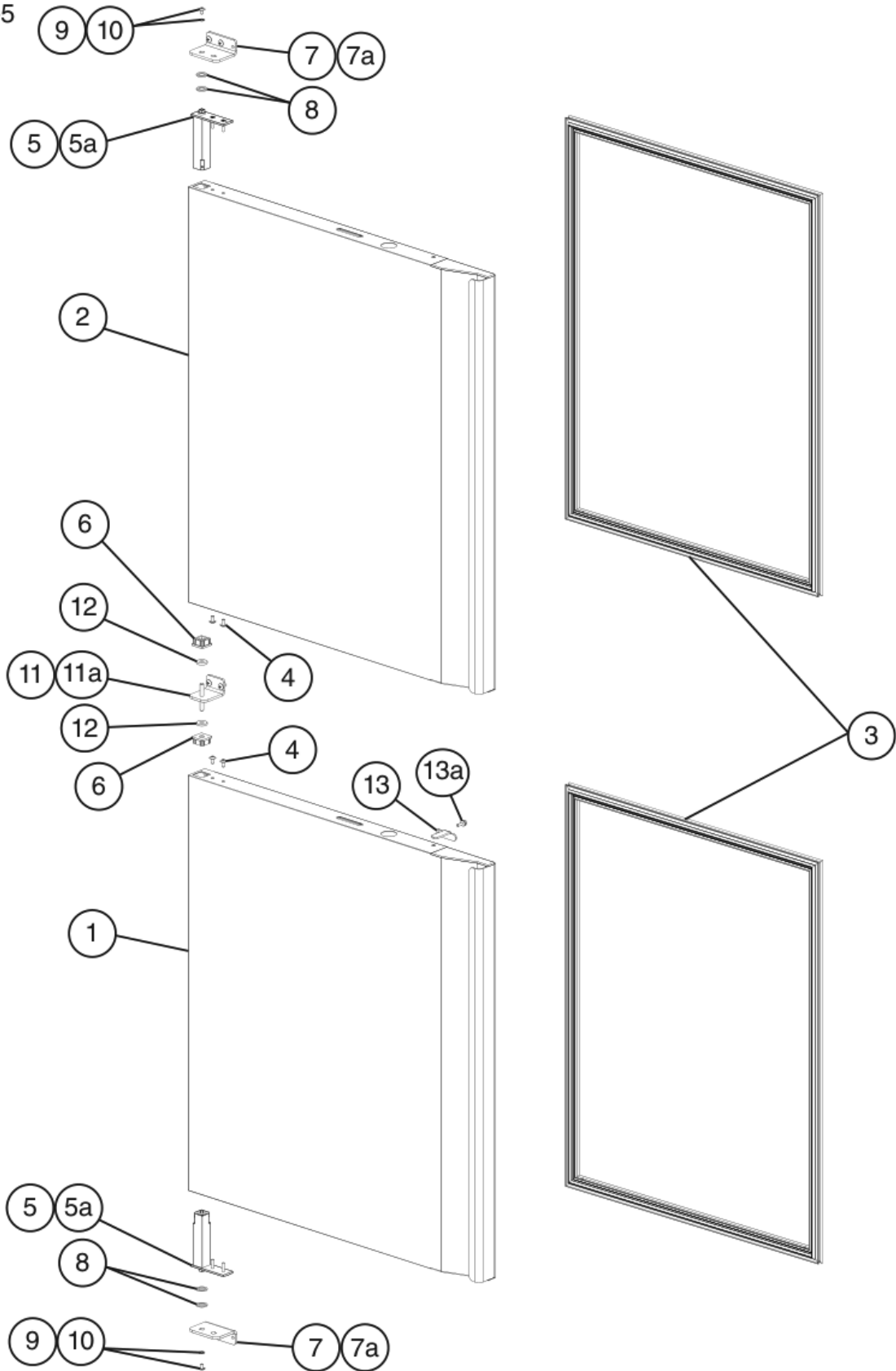
Title: E. Door-Half Glass Model: Half Glass												
Index No.	Description	Material or Model Number	Part Number	H-5 to L-5	Required Number							
1	Upper Right/Lower Left Door Assembly (includes half the quantity of items 3 and 4)	R_A-HG	<a href="#">2A8649-01</a>	1								
		F_A-HG	<a href="#">2A8649-02</a>	1								
2	Lower Right/Upper Left Door Assembly (includes half the quantity of items 3 and 4)	R_A-HG	<a href="#">2A8649-03</a>	1								
		F_A-HG	<a href="#">2A8649-04</a>	1								
3	Gasket		<a href="#">3B0450-01</a>	2								
4	Hinge Arm		<a href="#">3A7946-01</a>	2								
5	Backer Plate		<a href="#">3A7946-08</a>	2								
6	Hinge Bushing		<a href="#">3A7946-09</a>	2								
7	Slide Pin		<a href="#">3A7946-11</a>	2								
8	Hinge Bracket		<a href="#">3A9161-01</a>	2								
8a	Truss Head Screw	5x12, SS	<a href="#">7C32-0512</a>	8								
9	Middle Hinge Bracket		<a href="#">4A6223G01</a>	1								
9a	Truss Head Screw	5x12, SS	<a href="#">7C32-0512</a>	4								
10	Middle Hinge Washer		<a href="#">4A6243-01</a>	1								
11	Nylon Washer		<a href="#">3A7946-10</a>	2								
12	Hinge Pin		<a href="#">3A9858-01</a>	1								
13	Hinge Pin Lock Nut		<a href="#">3A7946-05</a>	1								

**F. Door-Half Solid  
Right Hinged  
1/2**  
H-5 to L-5



**F. Door-Half Solid  
Left Hinged  
2/2**

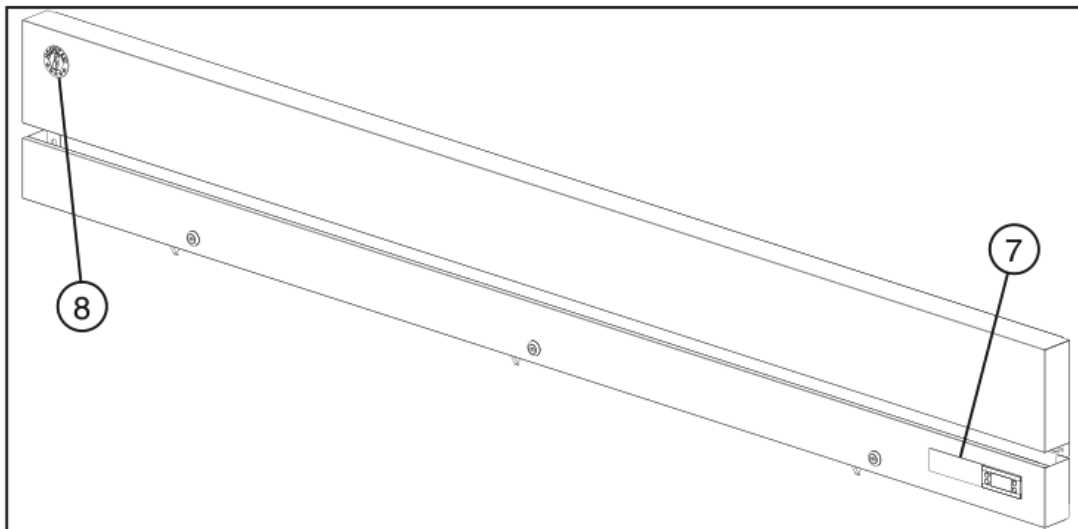
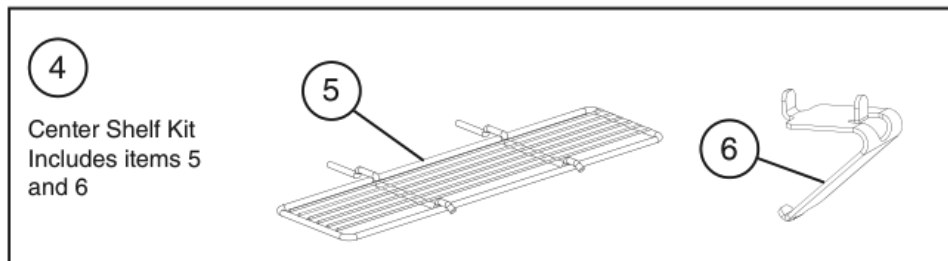
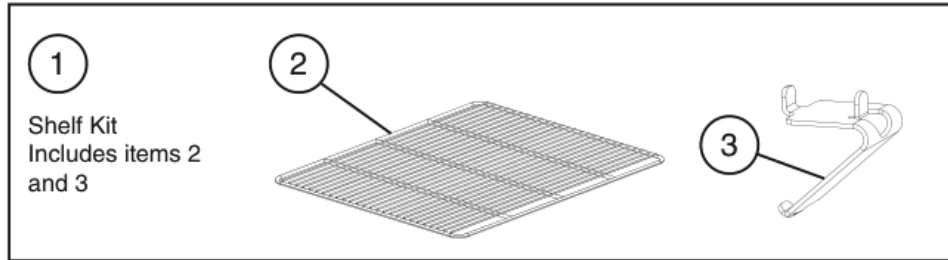
H-5 to L-5



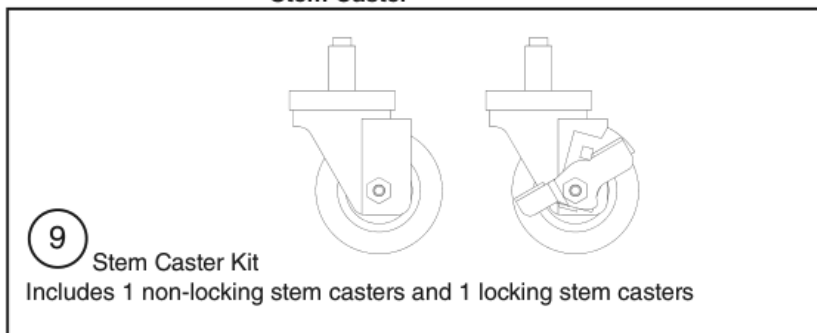
Title: F. Door-Half Solid Model: Half Solid											
Index No.	Description	Material or Model Number	Part Number	Required Number							
				H-5 to L-5							
1	Upper Right/Lower Left Door Assembly (includes half the quantity of items 3 through 6)		2A7837G01	1							
2	Lower Right/Upper Left Door Assembly (includes half the quantity of items 3 through 6)		2A7838G01	1							
3	Gasket		2A5192-24	2							
4	Truss Head Screw (Filler Screw)	5x10, SS	7C32-0510	4							
5	Spring Cartridge		3A9206-01	2							
5a	Spring Cartridge Screw	5x20, SS	7C42-0520	4							
6	Nylon Bearing		4A5232-01	2							
7	Upper/Lower Hinge Bracket		3A9689-01	2							
7a	Truss Head Screw	5x12, SS	7C32-0512	4							
8	Thrust Washer		4A5233-01	4							
9	Lock Washer		4A5231-01	2							
10	Screw		4A5230-01	2							
11	Middle Hinge Bracket		3A9767G01	1							
11a	Truss Head Screw	5x12, SS	7C42-0512	2							
12	Thrust Washer		4A5234-01	2							
13	Half-Door Lock		4A5249-01	1							
13a	Bolt		449879-08	1							

## G. Accessories & Labels

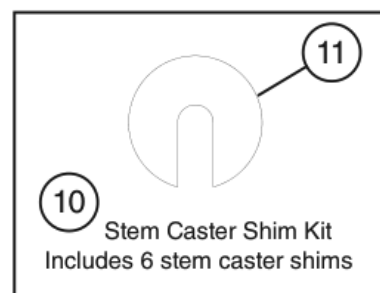
\_1A-FG/FGCL/FGCR/FS/FSJ/FSL/FSLJ/HG/HS/HSL,  
\_2A-FG/FS/HG/HS, \_3A-FG/FGCL/FGCR/FS/FSCS/FSCR/HG/HS  
H-5 to L-5



**Stem Caster**



**Stem Caster Shim**



**Title: G. Accessories & Labels Model: \_1A-FG/FGCL/FGCR/FS/FSJ/FSL/FSLJ/HG/HS/HSL, \_2A-FG/FS/HG/HS, \_3A-FG/FGCL/FGCR/FS/FSJ/FSCR/HG/HS**

Index No.	Description	Material or Model Number	Part Number	Required Number									
				H-5 to L-5									
1	Shelf Kit (3 Pack) (includes items 2 and 3)	_1A-XXXX	3A6902A01 (HS-5053)	1									
	Shelf Kit (3 Pack) (one kit includes half of items 2 and 3)	_2A-XXXX		2									
	Shelf Kit (3 Pack) (one kit includes a third of items 2 and 3)	_3A-XXXX		3									
	Shelf Kit (3 Pack) (one kit includes a sixth of items 2 and 3)	_3A-FGCL/ FGCR/FSCL/ FSCR		6									
2	Shelf	R1A-FGCL/ FGCR	3A6876-03 (HS-5052)	1									
		_1A-XXXX		3									
		_2A-XXXX		6									
		_3A-XXXX		9									
		_3A-FGCL/ FGCR/FSCL/ FSCR		18									
3	Shelf Clip	R1A-FGCL/ FGCR	428957-01	4									
		_1A-XXXX		12									
		_2A-XXXX		24									
		_3A-XXXX		36									
		_3A-FGCL/ FGCR/FSCL/ FSCR		72									
4	Center Shelf Kit (3 Pack) (includes items 5 and 6)	_2A-XXXX	3A4451A01 (HS-3510)	1									
	Center Shelf Kit (3 Pack) (one kit includes half of items 5 and 6)	_3A-XXXX	3A9920A01 (HS-5389)	2									
	Center Shelf Kit (3 Pack) (one kit includes fourth of items 5 and 6)	_3A-FGCL/ FGCR/FSCL/ FSCR		4									
5	Center Shelf	_2A-XXXX	2A1579-01 (HS-3509)	3									
		_3A-XXXX	2A8875-01 (HS-5388)	6									
		_3A-FGCL/ FGCR/FSCL/ FSCR		12									
6	Shelf Clip	_2A-XXXX	428957-01	3									
		_3A-XXXX		6									
		_3A-FGCL/ FGCR/FSCL/ FSCR		12									
7	Hoshizaki Label	R_A-XXXX	3B0043-01	1									
		F_A-XXXX	3B0043-02	1									
8	Penguin Label		475552L02	1									

**Title: G. Accessories & Labels    Model: \_1A-FG/FGCL/FGCR/FS/FSJ/FSL/FSLJ/HG/HS/HSL, \_2A-FG/FS/HG/HS, \_3A-FG/FGCL/FGCR/FS/FSCL/FSCR/HG/HS**

Index No.	Description	Material or Model Number	Part Number	Required Number							
				H-5 to L-5							
<b>Stem Caster</b>											
9	4-inch Stem Caster Pack (includes 1 locking caster and 1 non-locking caster)	_1A-XXXX	4A1347-03	2							
		_2A-XXXX									
		_3A-XXXX		4							
10	Stem Caster Shim Kit (includes item 13)	_1A-XXXX	HS-3590	1							
		_2A-XXXX									
		_3A-XXXX		2							
11	Stem Caster Shim	_1A-XXXX	4A3658-01	6							
		_2A-XXXX									
		_3A-XXXX		12							