

Hoshizaki America, Inc.

Commercial Refrigerators & Freezers

Model
RF28A



"A Superior Degree
of Reliability"

www.hoshizaki.com

PARTS LIST



Number: 71257
Issued: 9-8-2006

CONTENTS

Auxiliary Codes.....	3
Note About Ordering Parts	3
Material Abbreviations	4
A. Reach-In.....	5
B. Refrigeration Assembly	8
C. Air Duct Assembly	12
D. Control Box Assembly	13
E. Regulator Box Assembly	15
F. Front Panel Assembly	16
G. Door (R) Assembly.....	17
H. Drain Tank	18
J. Label Location.....	19
K. Condenser Fan Motor Assembly	20
L. Accessories/Packaging.....	21

Auxiliary Codes

RF28A R-5 June 2006

Note About Ordering Parts

Most assemblies cannot be ordered as complete units; parts in the assemblies generally must be ordered separately.

Material Abbreviations

ALUMINUM

AL = Aluminum

COPPER

CU = Copper

PLASTIC

ABS = Acrylonitrile -butadiene - styrene
AC = Polyacetal
EVA = Ethylene vinyl acetate
PA = Polyamide = Nylon
PC = Polycarbonate
PE = Polyethylene
PES = Polyester
PETP = Polyethylene terephthalate = Tetlon
PP = Polypropylene
PS = Polystyrene
PTFE = Polytetrafluoroethylene = Teflon
PUR = Polyurethane
PVC = Polyvinyl chloride

RUBBER


VN = Vinyl Nitrile
EPDM = EP rubber
NBR = Nitrile butadiene rubber
NR = Natural rubber
NP = Neoprene
SI.R = Silicone rubber
SY.R = Synthetic rubber
EPH = Epichlorohydrin

STEEL


GS = Galvanized steel
SS = Stainless steel
PS = Plated steel
PAS = Primed steel

AUXILIARY CODE

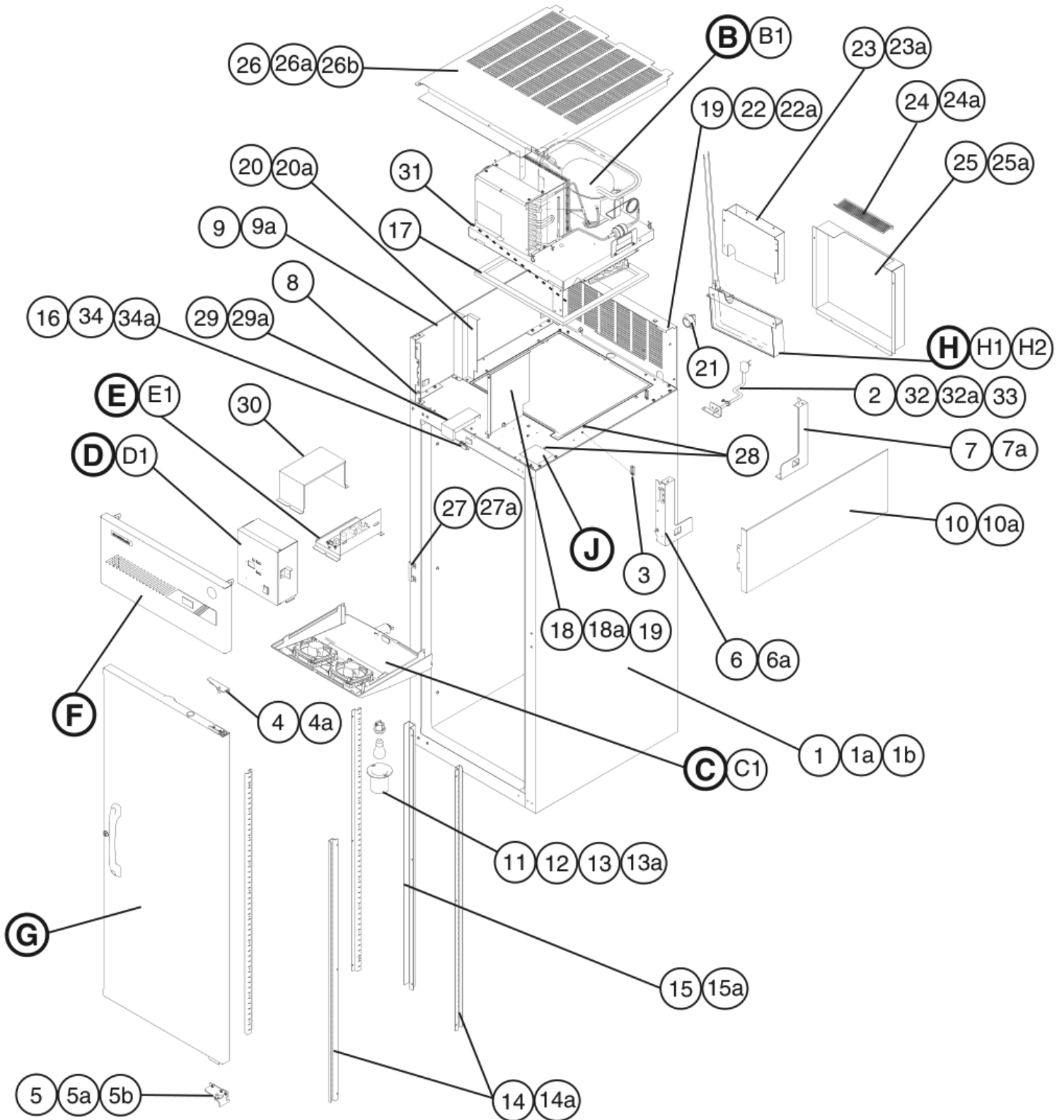
K-5

 Designates the year. "K" indicates the year 2000. Years progress or regress in alphabetical order. "J" is 1999, "L" is 2001, "M" is 2002, and so on. The letters "I" and "O" were skipped.
Designates significant part changes within the same year for this model. Base is 5 and this number advances for each change.

Example: P-6

 "P" indicates 2004.
"6" indicates the first significant part change for 2004.

**A. Reach-In
RF28A
R-5**



Title: **A. Reach-In** Model: **RF28A**

Index No.	Description	Material or Model Number	Part Number	Required Number									
				R-5									
B	Refrigeration Assembly	-	1A0993A01	1									
B1	Truss Head Screw	5x10	7C31-0510	4									
C	Air Duct Assembly	Evap. Fans	2A3287A01	1									
C1	Truss Head Screw	4x8 SS	7C32-0408	2									
D	Control Box Assembly	-	2A3273A02	1									
D1	Truss Head Screw	4x8	7C31-0408	2									
E	Regulator Box Assembly	-	3A3314A01	1									
E1	Truss Head Screw	5x10	7C31-0510	2									
F	Front Panel Assembly	-	3A3317G01	1									
G	Door (R) Assembly	-	2A3278A01	1									
H	Drain Tank	-	2A3505A01	1									
H1	Truss Head Screw	5x10 SS	7C32-0510	2									
H2	Tapping Screw	-	456789-01	2									
J	Label Location	-	1A0995A01	1									
1	Body	-	1A0989G01	1									
1a	Truss Head Screw	5x10 SS	7C32-0510	6									
1b	Truss Head Screw	4x8 SS	7C32-0408	2									
2	Power Supply Cord	-	4A0520-01	1									
3	Wire Saddle	-	428060-01	2									
4	Door Hinge R, Upper	-	3A3531G01	1									
4a	Flange Bolt	5x12 SS	445994-03	3									
5	Door Hinge R, Lower	-	360214G01	1									
5a	Hinge Collar/Hinge	-	339948-01	1									
5b	Flange Bolt	5x12 SS	445994-03	3									
6	Grip A	-	339961-01	2									
6a	Flange Bolt	5x12 SS	445994-03	6									
7	Grip B	-	339961-02	2									
7a	Flange Bolt	5x12 SS	445994-03	6									
8	Strike	No. 83	435995-01	2									
9	Side Panel (L)	SS	2A3283G02	1									
9a	FT Screw	4x8 ZN	7F31-0408	1									
10	Side Panel (R)	SS	2A3283G01	1									
10a	FT Screw	4x8 ZN	7F31-0408	1									
11	Lampholder	-	4A2862-01	1									
12	Bulb - Light	40A15/CL/ Proline	4A2420-01	1									
13	Shield-Light	-	4A0465-01	1									
13a	Cheese Head Screw	5x12 SS	7C52-0512	2									
14	Pilaster	SS	3A0145-01	4									
14a	Truss Head Screw	5x10 SS	7C32-0510	12									
15	Back Guard	SS	3A3319-01	1									
15a	Truss Head Screw	5x10 SS	7C32-0510	3									
16	Reed Switch	-	453861-02	1									
17	Gasket-Base	-	239644-02	1									

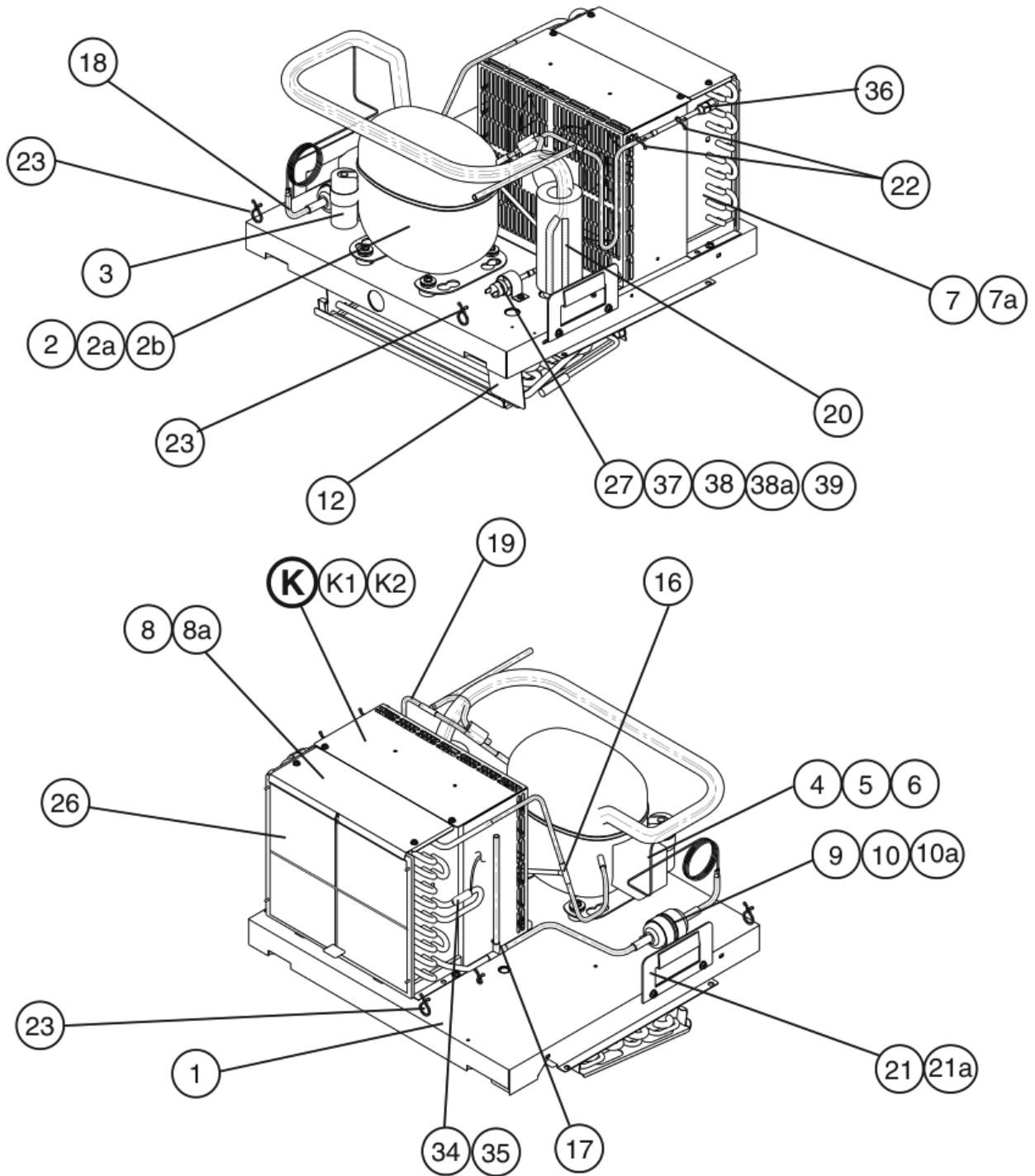
Title: A. Reach-In Model: RF28A												
Index No.	Description	Material or Model Number	Part Number	Required Number								
				R-5								
18	Cover Condenser Side	GS	2A3290-01	1								
18a	Truss Head Screw	4x8	7C31-0408	2								
19	Bushing	OCB-625	428394-03	2								
20	Unit Cover L	GS	3A3486-01	1								
20a	Truss Head Screw	4x8	7C31-0408	2								
21	Pipe-Drain Tank	-	3A3753-01	1								
22	Rear Cover	SS	2A3291-01	1								
22a	FT Screw	4x8	7F31-0408	4								
23	Duct-Drain Tank	-	3A3543G01	1								
23a	Truss Head Screw	4x8 SS	7C32-0408	2								
24	Duct-Drain Tank C	SS	3A3548-01	1								
24a	Truss Head Screw	4x8 SS	7C32-0408	2								
25	Cover-Drain Tank	SS	3A3544-01	1								
25a	Truss Head Screw	4x8 SS	7C32-0408	4								
26	Top Cover	GS	2A3292-01	1								
26a	FT Screw	4x8	7F31-0408	2								
26b	Truss Head Screw	4x8	7C31-0408	1								
27	Bracket Lock-Body	SS	4A3799-01	1								
27a	Truss Head Screw	4x8 SS	7C32-0408	2								
28	Screw - Grounding	-	433304-02	2								
29	Cover Switch - Body	-	3A3534-01	1								
29a	Truss Head Screw	4x8	7C31-0408	2								
30	Regulator Box Cover	GS	3A3315-01	1								
31	Clamp	-	427902-05	1								
32	Bracket-Cord	GS	4A3798-01	1								
32a	Truss Head Screw	4x8	7C31-0408	2								
33	Bushing	CEE SR-6P30	450414-01	1								
34	Spacer Switch Body	-	4A3797-01	1								
34a	Pan Head Screw	(w/lock & flat washers) 3x12 SS	7C1230312	2								

B. Refrigeration Assembly

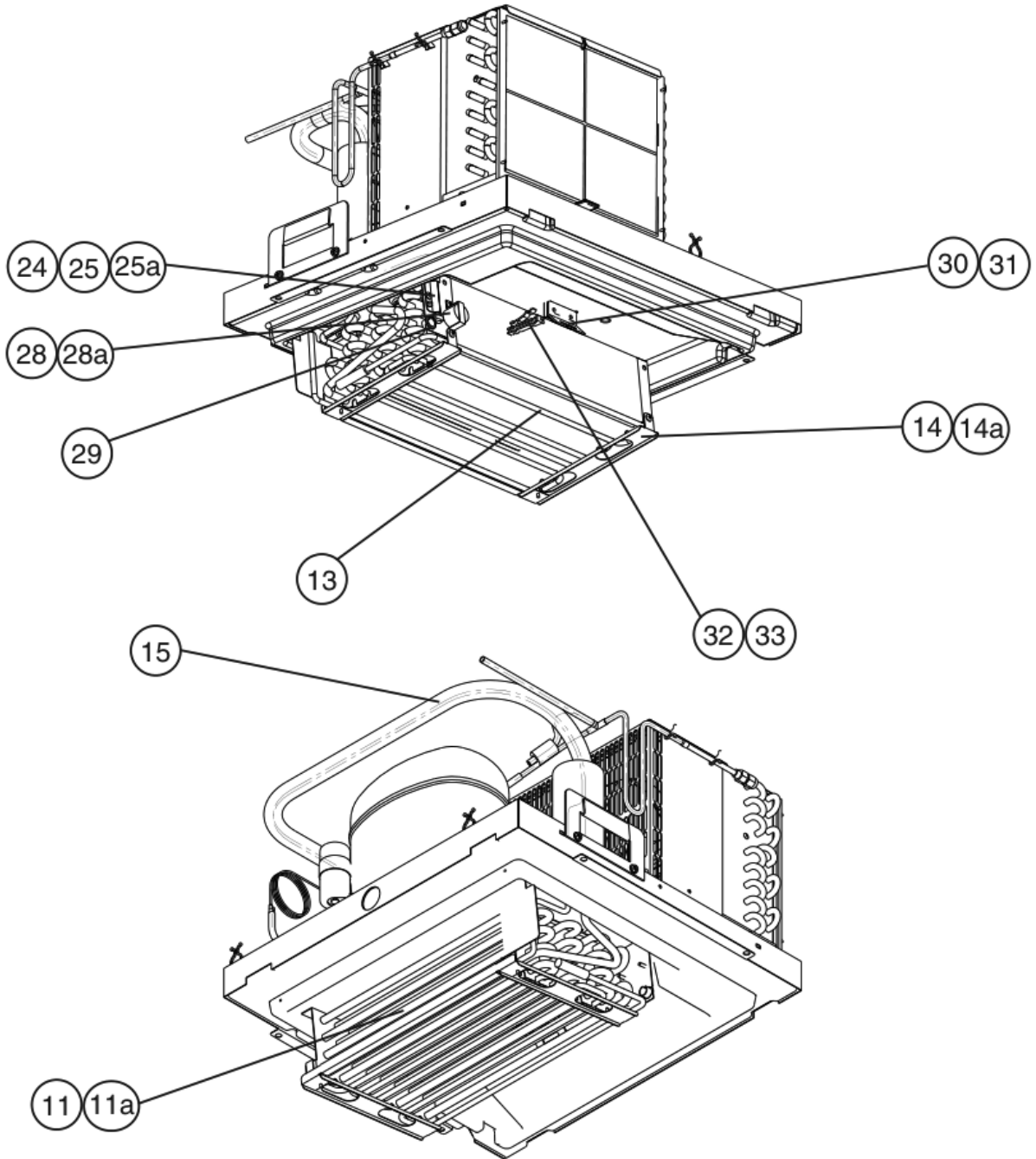
1/2

RF28A

R-5



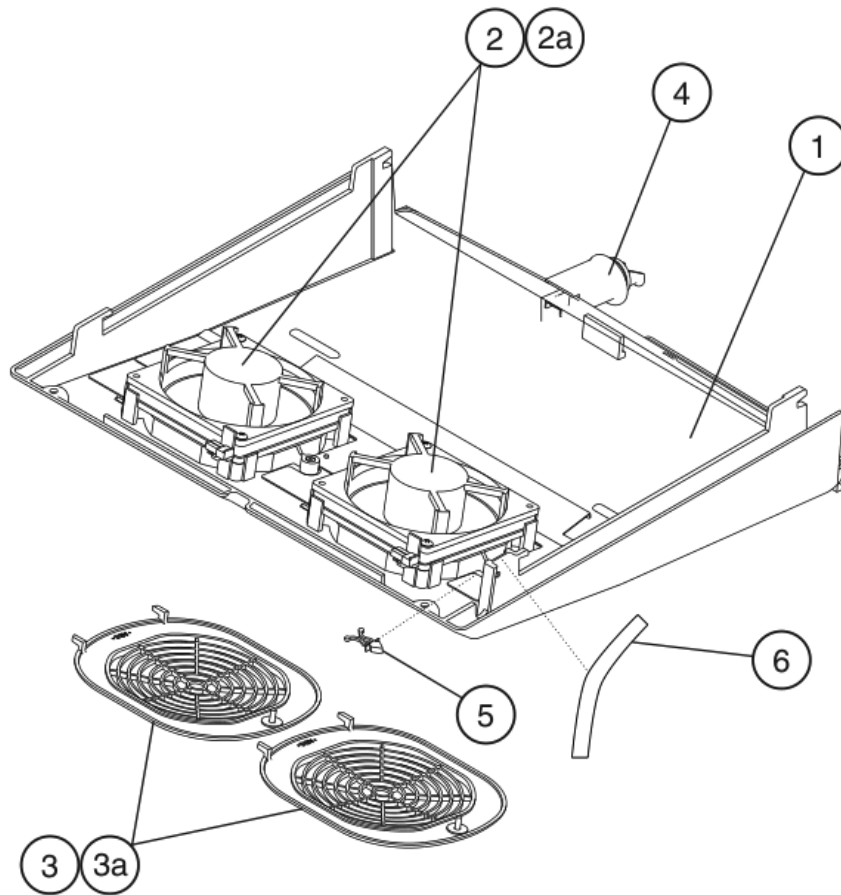
B. Refrigeration Assembly
2/2
RF28A
R-5



Title: B. Refrigeration Assembly Model: RF28A											
Index No.	Description	Material or Model Number	Part Number	Required Number							
				R-5							
K	Condenser Fan Motor Assy.	-	3A3320A01	1							
K1	Flange Bolt	5X12 SS	445994-03	2							
K2	Tapping Screw	-	456789-01	2							
1	Base	-	1A0994G01	1							
2	Compressor	SC12CLX.2	4A3808-01	1							
2a	Rubber Grommet	118-3661	4A1452-01	4							
2b	Bolt	-	468180-01	4							
3	Start Capacitor	117U5023	4A2134-03	1							
4	Start Relay	117U6020	4A3113-01	1							
5	Relief Assembly	103N1004	4A1454-01	1							
6	Cover - Electrical	103N2008	4A3112-01	1							
7	Condenser	-	242703-02	1							
7a	Flange Bolt	5x12 SS	445994-03	2							
8	Cover-Condenser	GS	3A3520-01	1							
8a	Tapping Screw	-	456789-01	2							
9	Drier	C-03E126	4A2666-01	1							
10	Drier Bracket	GS	4A0807-01	1							
10a	Tapping Screw	-	456789-01	2							
11	Evaporator	-	242706-01	1							
11a	T2 Screw	4x12 SS	7P32-0412	4							
12	Cover-Evaporator	SS	3A3522-01	1							
13	Defrost Heater	-	2A3286-01	1							
14	Support G-Heater	-	3A3521G01	1							
14a	T2 Screw	4x12 SS	7P32-0412	2							
15	Heat Exchanger	-	2A3494G01	1							
16	Copper Tube (A-H) (includes pressure switch, item 37)	-	3A3322G01	1							
17	Copper Tube (B-H)	-	4A3634G01	1							
18	Copper Tube (C-H)	-	4A3945-01	1							
19	Copper Tube (L) (includes access valve, item 36)	-	3A3323G01	1							
20	Insulation Tube	L=150 (1A0993-23)	7762-1020	3							
21	Handle	-	312719-01	2							
21a	Flange Bolt	5x12 SS	445994-03	4							
22	Clamp	No. 248	427902-04	4							
23	Clamp	No. 4253	427902-05	3							
24	Thermal Fuse	MM9-113	433262-02	1							
25	Fuse Holder	SS	4A3810-01	1							
25a	T2 Screw	4x12 SS	7P32-0412	1							
26	Air Filter	-	355229G01	1							
27	Cushion-Bushing	-	457429-01	1							
28	Thermostat - Defrost	37T21	4A0954-02	1							
28a	T2 Screw	4x12 SS	7P32-0412	1							

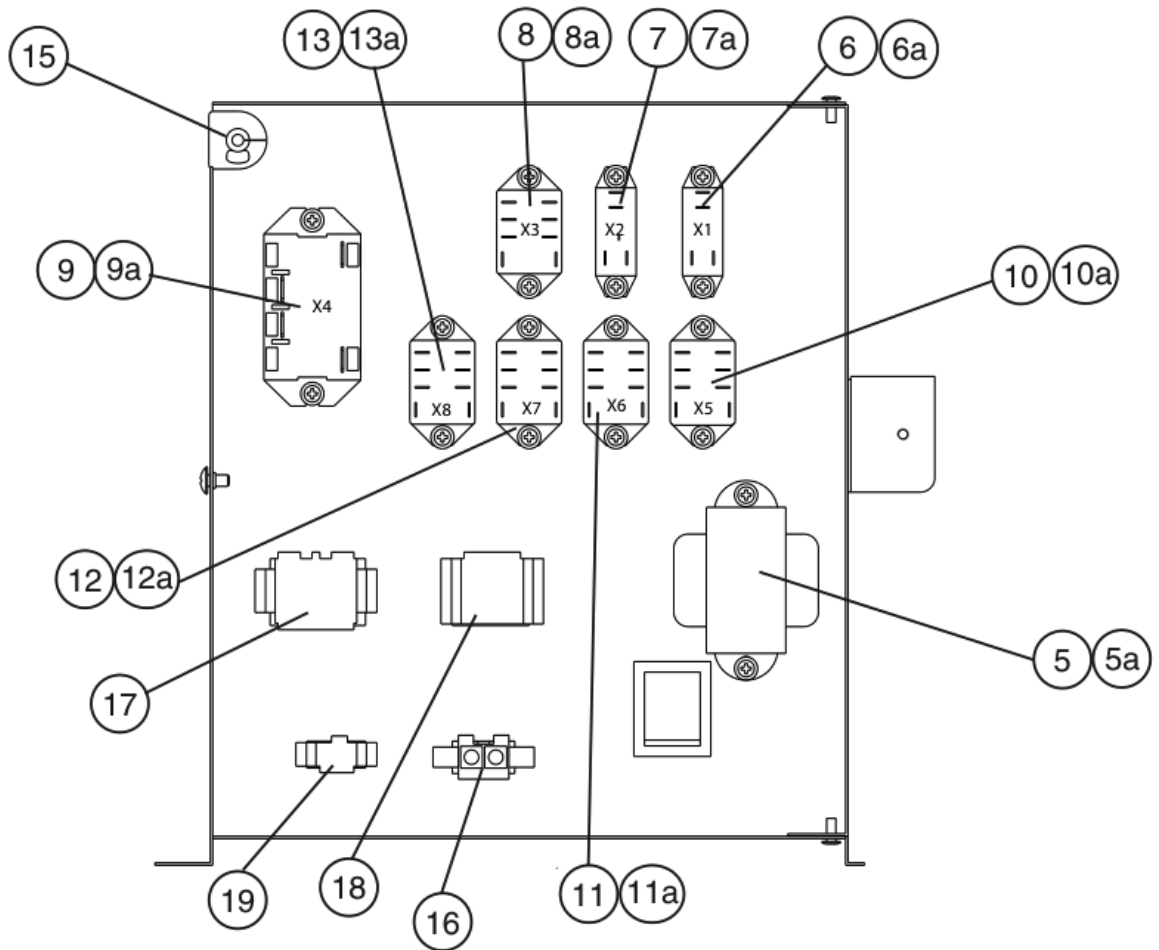
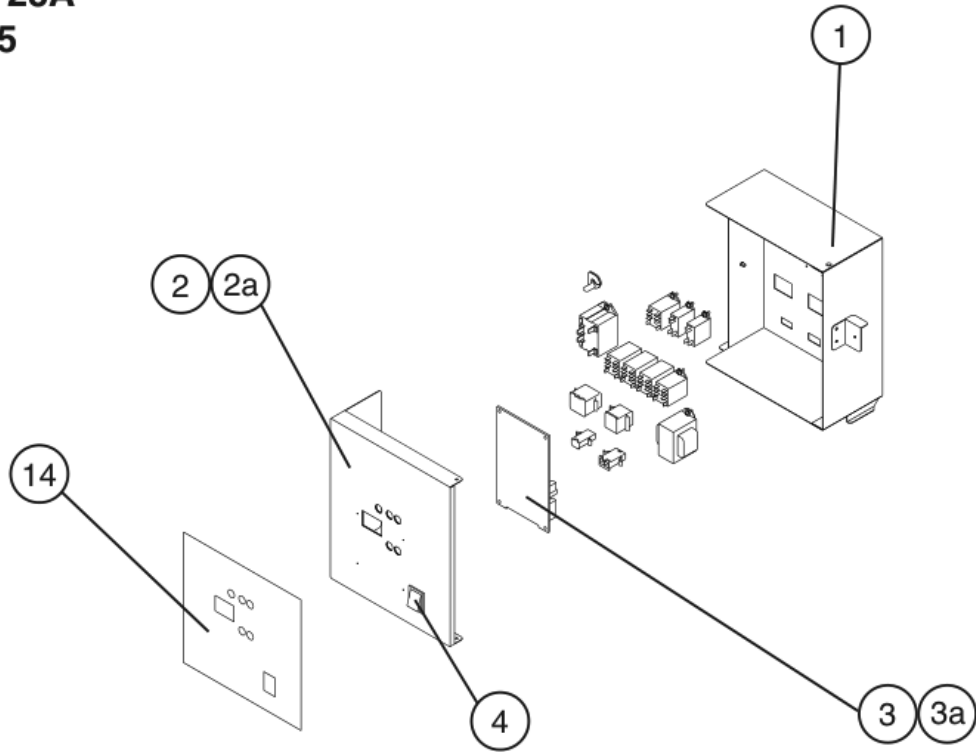
Title: B. Refrigeration Assembly Model: RF28A												
Index No.	Description	Material or Model Number	Part Number	Required Number								
				R-5								
29	Bushing	OCB-625	428394-03	1								
30	Thermistor-Interior	Konai	4R2691-01	1								
31	Thermistor Bracket	Interior	456019-01	1								
32	Thermistor-Defrost	-	4R2690-01	1								
33	Thermistor Holder	Defrost	321606-01	1								
34	Thermistor Clogged Filter	-	4R2692-01	1								
35	Thermistor Holder	Clogged Filter	458132-01	1								
36	Access Valve (included in item 19, Copper Tube (L))	-	457729-01	1								
37	Pressure Switch: (included in item 16, Copper Tube (A-H))	ACB-1UB30	463180-03	1								
38	Bracket-Pressure Switch	-	457430-01	1								
38a	Tapping Screw	-	456789-01	1								
39	Insulation Tube	-	7762-2943	1								

C. Air Duct Assembly
RF28A
R-5



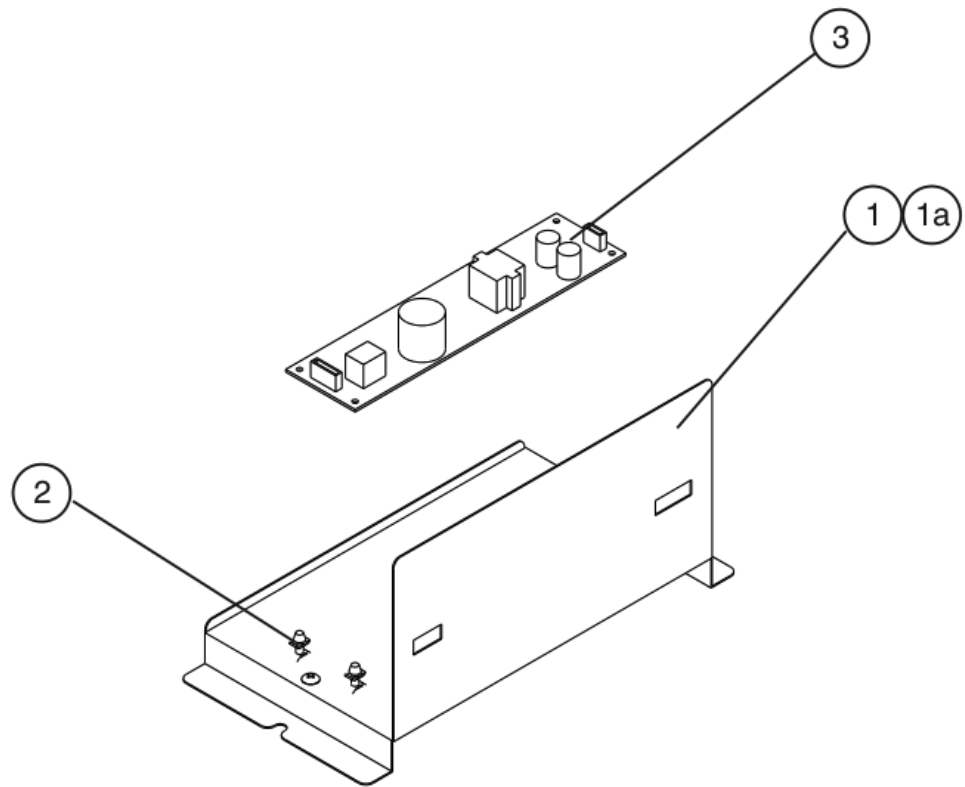
Title: C. Air Duct Assembly Model: RF28A													
Index No.	Description	Material or Model Number	Part Number	Required Number									
				R-5									
1	Air Duct F	Includes air duct heater	2A3477G01	1									
2	Fan Motor C	D1350X12 CXXZ-18	469067G01	2									
2a	Truss Head Screw	4x30 SS	7C32-0430	4									
3	Fan Cover	-	242785-01	2									
3a	Truss Head Screw	4x12 SS	7C32-0412	2									
4	Gasket-Drain Elbow X	-	469086-02	1									
5	Clamp	No. 248	427902-04	1									
6	Insulation Tubing	1/2x3/16 L=60 (2A3287-08)	7762-1323	1									

D. Control Box Assembly
RF28A
R-5



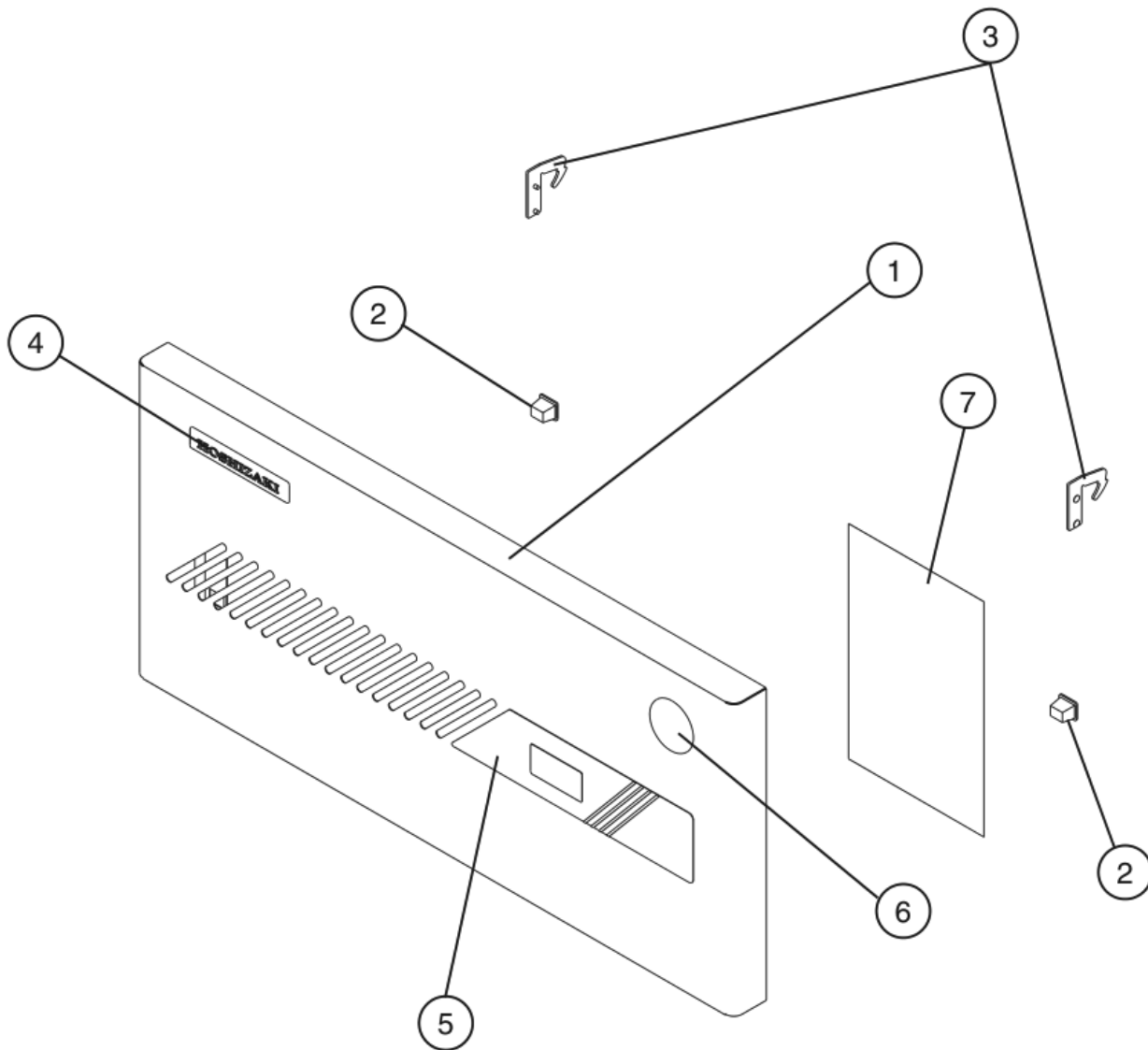
Title: D. Control Box Assembly Model: RF28A												
Index No.	Description	Material or Model Number	Part Number	Required Number								
				R-5								
1	Control Box G	GS	3A3751G01	1								
2	Cover-Control Box G	-	3A3749G01	1								
2a	T2 Screw	4x8 SS	7P32-0408	1								
3	Control Board	-	3A2786-03	1								
3a	T2 Screw	4x8 SS	7P32-0408	4								
4	Switch - Rocker	WB242D1123	4A3645-01	1								
5	Transformer	26D285H	3A0172-01	1								
5a	Tapping Screw	3x8	431415-01	2								
6	Relay X1, Compressor 1	G2R-IA-T DC12V	430173-05	1								
6a	Tapping Screw	3x8	431415-01	2								
7	Relay X2, Evaporator Fans	G2R-IA-T DC12V	430173-05	1								
7a	Tapping Screw	3x8	431415-01	2								
8	Relay X3, Defrost Heater	LY2F , DC 12V	406132-09	1								
8a	Tapping Screw	3x8	431415-01	2								
9	Relay X4, Compressor 2	G7I-IA-TUB	449000-01	1								
9a	Tapping Screw	3x8	431415-01	2								
10	Relay X5, Drain Tank Heater	LY2F- AC110/120	406132-07	1								
10a	Tapping Screw	3x8	431415-01	2								
11	Relay X6, Door/Lamp	LY2F- AC110/120	406132-07	1								
11a	Tapping Screw	3x8	431415-01	2								
12	Relay X7, Pressure Switch	LY2F- AC110/120	406132-07	1								
12a	Tapping Screw	3x8	431415-01	2								
13	Relay X8, Air Duct Heater	LY2F- AC110/120	406132-07	1								
13a	Tapping Screw	3x8	431415-01	2								
14	Operation Label	-	243398-01	1								
15	Bushing	-	451171-01	1								
16	2 Plug Housing	03-12-2025	4A0425-02	1								
17	12 Plug Housing	3191-12P	412832-04	1								
18	9 Plug Housing	3191-09P	412832-02	1								
19	2 Plug Housing	3191-02P	412832-07	1								

E. Regulator Box Assembly
RF28A
R-5



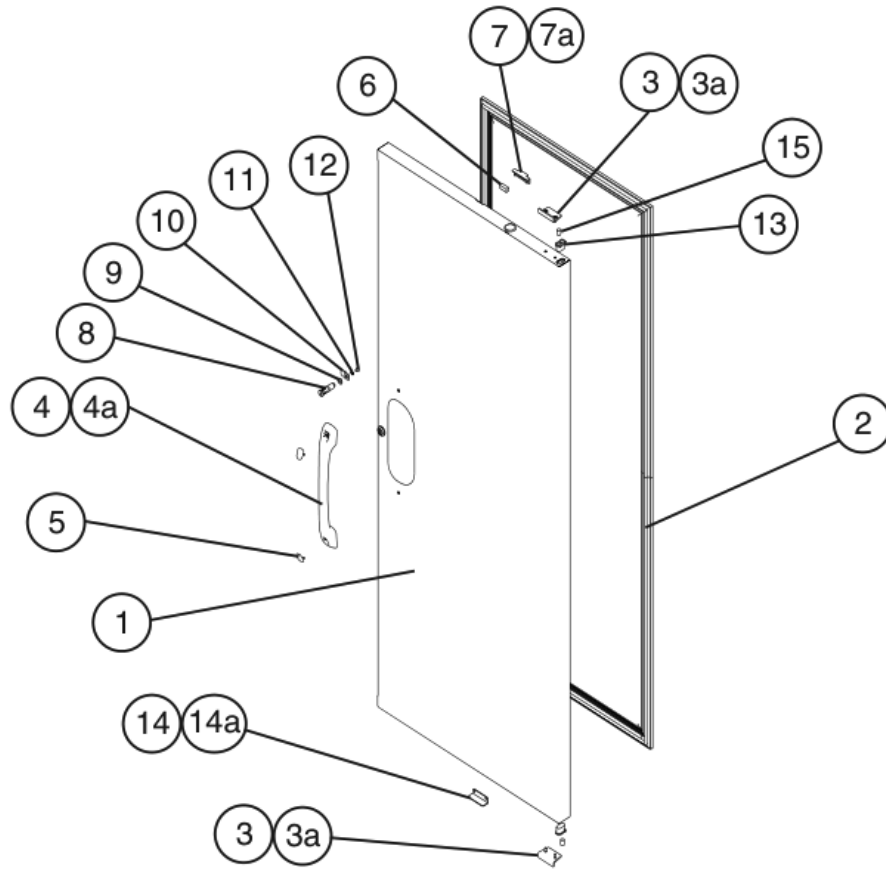
Title: E. Regulator Box Assembly		Model: RF28A		Required Number										
Index No.	Description	Material or Model Number	Part Number	R-5										
1	Regulator Box Base	GS	2A3277-01	1										
1a	Truss Head Screw	4x8 ZN	7C31-0408	1										
2	Board Support	2451	449969-01	4										
3	Switching Regulator	LCA50S-12-XHSZ	458914-01	1										

F. Front Panel Assembly
RF28A
R-5



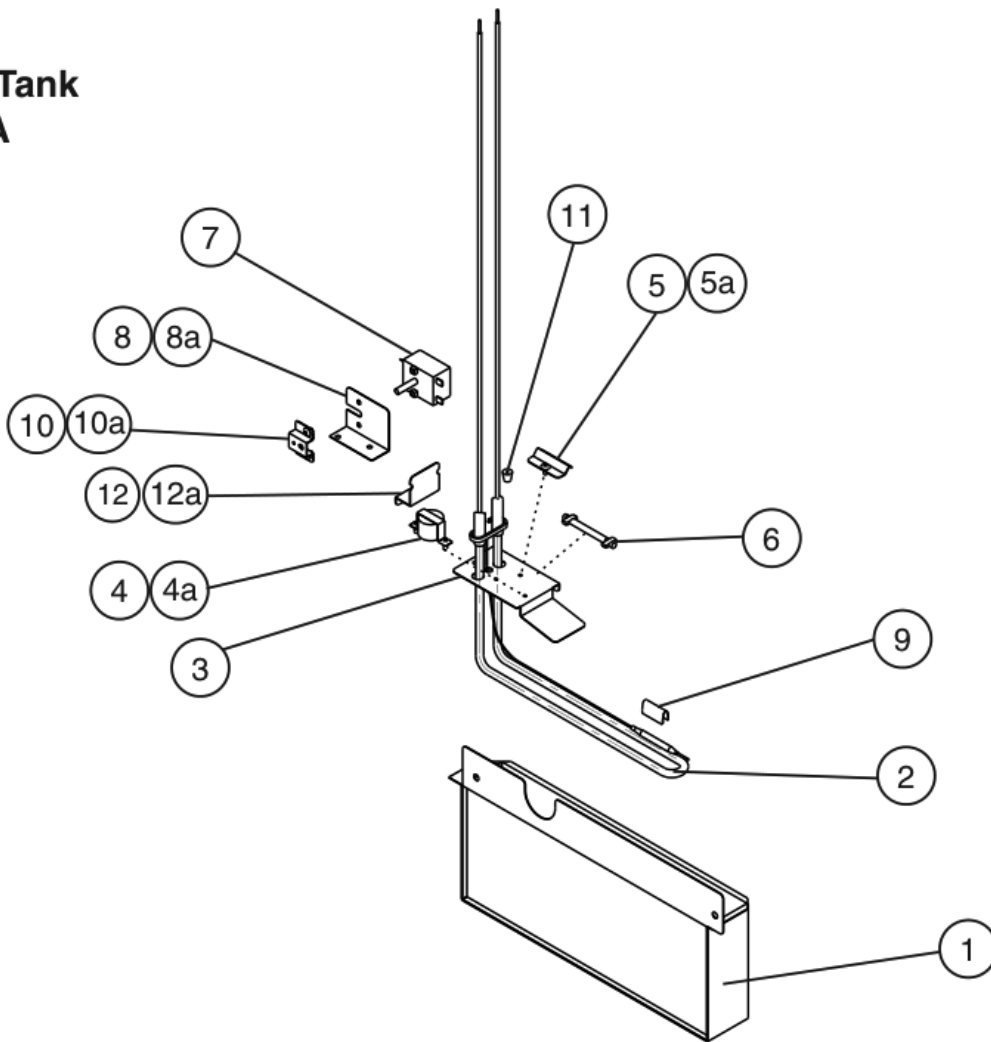
Title: F. Front Panel Assembly Model: RF28A												
Index No.	Description	Material or Model Number	Part Number	Required Number								
				R-5								
1	Front Panel	SS	2A3282-01	1								
2	Catch	-	435994-01	2								
3	Hook/Front Panel	-	448859-01	2								
4	Emblem	-	4A0560-01	1								
5	Label - Display F	-	2A3905-02	1								
6	Label-Penguin (L)	-	456246-02	1								
7	Wiring Label	-	2A3276-01	1								

G. Door (R) Assembly
RF28A
R-5



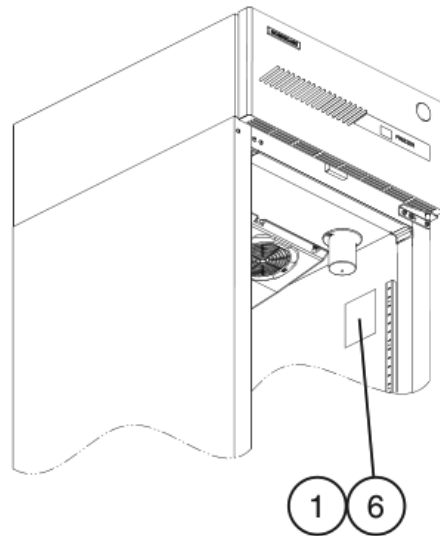
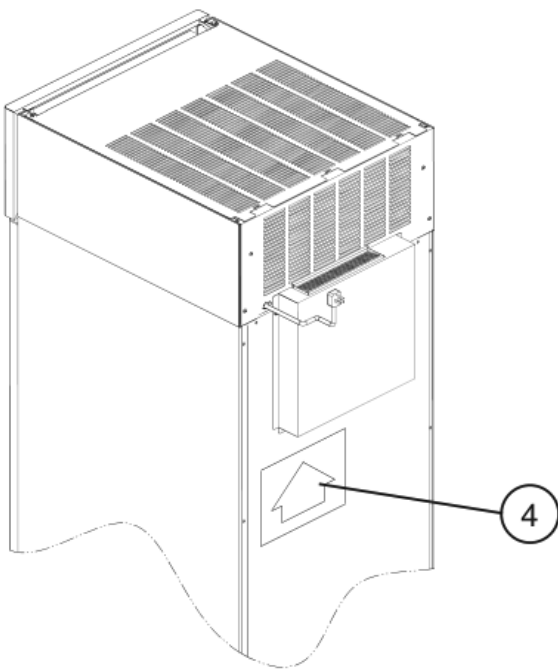
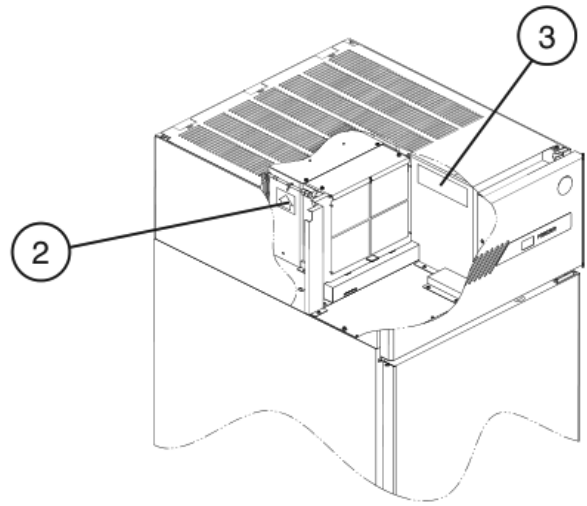
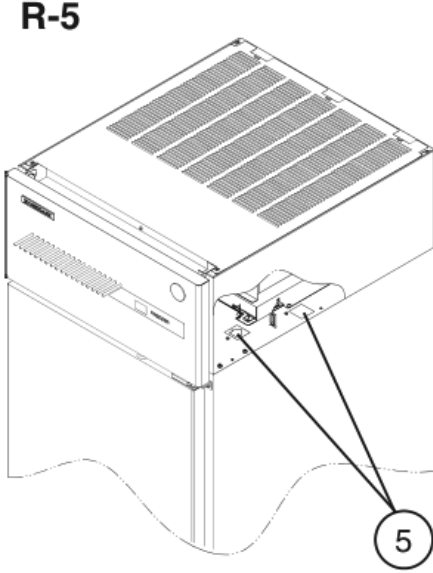
Title: G. Door (R) Assembly Model: RF28A											
Index No.	Description	Material or Model Number	Part Number	Required Number							
				R-5							
1	Door	-	2A3279G01	1							
2	Gasket-Door	-	2A3437-01	1							
3	Door Stopper	-	360222-01	2							
3a	Countersunk Screw	5x12 SS	4A2894-02	4							
4	Handle	-	115365-01	1							
4a	Screw/Bolt	5x16 SS	449879-08	2							
5	Cap/Handle	-	360643-01	2							
6	Magnet	-	440805-01	1							
7	Switch Cover	-	3A3508-01	1							
7a	Truss Head Screw	4x12 SS	7C32-0412	2							
8	Lock Tumbler	(With Key)	4A0462-01	1							
9	Lock-Stop Washer	-	4A0458-01	1							
10	Lock-Plate	-	4A3782-01	1							
11	Lock-Washer	-	4A0459-01	1							
12	Lock-Screw (Refrig)	-	4A0461-01	1							
13	Hinge Collar/Door	-	339947-01	2							
14	Cover-Bracket	-	4A3817-01	1							
14a	Truss Head Screw	4x12 SS	7C32-0412	2							
15	Cap	-	455295-01	2							

**H. Drain Tank
RF28A
R-5**



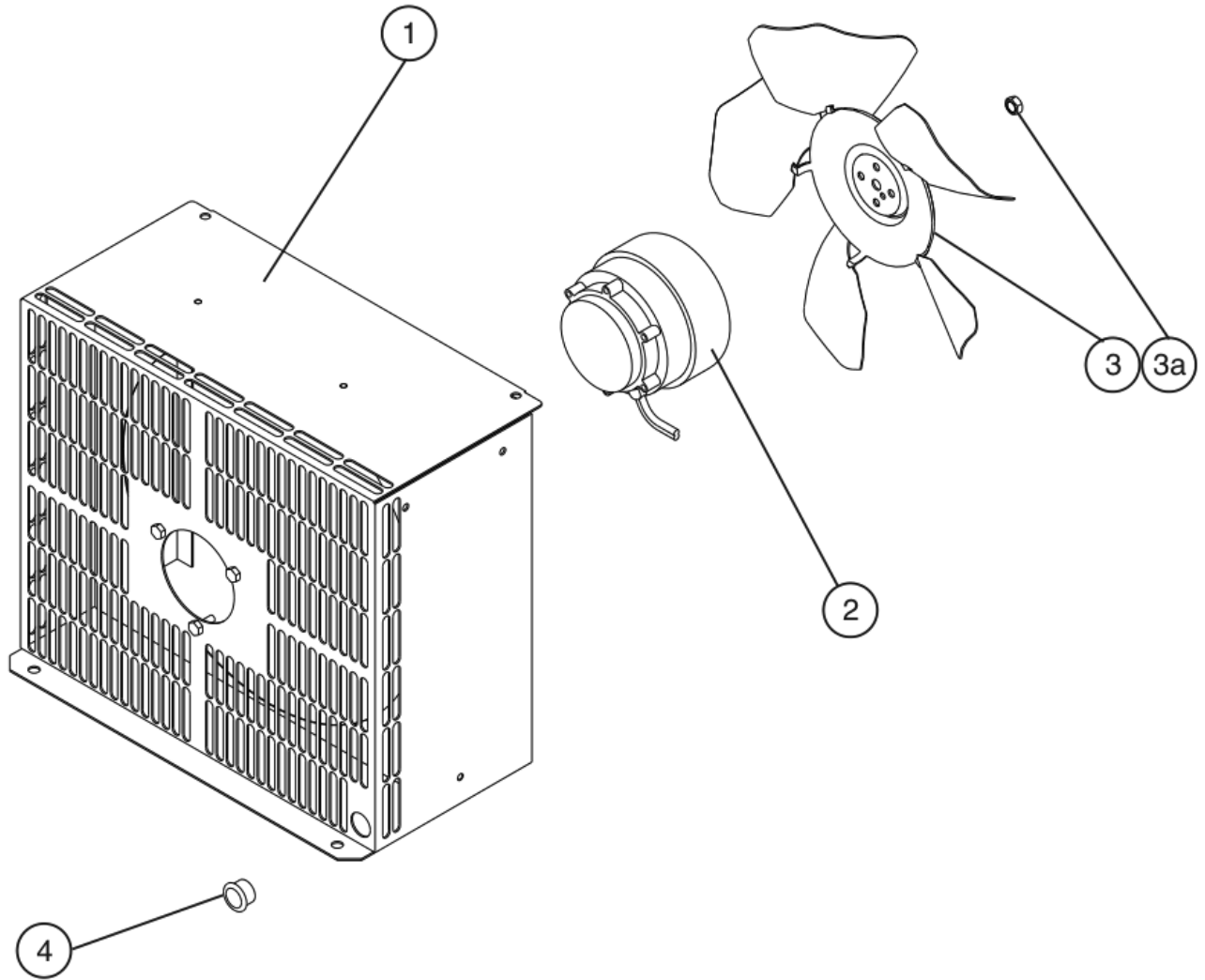
Title: H. Drain Tank		Model: RF28A		Required Number											
Index No.	Description	Material or Model Number	Part Number	R-5											
1	Drain Tank A	-	3A3549G01	1											
2	Sheathed Heater	-	3A3327-01	1											
3	Flange-Drain Tank	SS	3A3547-01	1											
4	Thermostat	37TJ21	4A3941-01	1											
4a	Truss Head Screw	4x8 SS	7C32-0408	2											
5	Fuse Holder	SS	4A3810-01	1											
5a	Truss Head Screw	4x8 SS	7C32-0408	1											
6	Thermal Fuse	MM9-113	433262-02	1											
7	Thermostat	-	426395-01	1											
8	Thermostat Bracket	GS	4A3811-01	1											
8a	See H2 in A. Reach-In for screws securing thermostat bracket to body frame	-	-	-											
9	Heater Holder	-	4A3813-01	1											
10	Set-Thermostat	-	467369-01	1											
10a	Truss Head Screw	4x6	7C31-0406	2											
11	Bushing	-	407818-01	1											
12	Bracket-Drain Tank Heater	SS	4A3809-01	1											
12a	Truss Head Screw	4x8 SS	7C32-0408	1											

J. Label Location
RF28A
R-5



Title: J. Label Location Model: RF28A										
Index No.	Description	Material or Model Number	Part Number	Required Number						
				R-5						
1	Nameplate	-	3A3324-01	1						
2	Label - R404A	-	4A0960-01	1						
3	Label - Air Filter	-	426177-01	1						
4	Caution Label	-	4A1931-01	1						
5	Label-Ground (B)	-	450452-02	2						
6	Cover-Nameplate	-	4A3727-01	1						

K. Condenser Fan Motor Assembly
RF28A
R-5



Title: K. Condenser Fan Motor Assembly Model: RF28A															
Index No.	Description	Material or Model Number	Part Number	Required Number											
				R-5											
1	Bracket (G) - Fan Motor	-	3A3321G01	1											
2	Motor-Cond Fan	includes 3 mounting bolts	4A0408-01	1											
3	Fan Blade	-	3A0608-01	1											
3a	Hex Nut	#S-25467	4A1345-01	1											
4	Bushing	SB-625-8	420470-01	1											

L. Accessories/Packaging RF28A

Title: L. Accessories/Packaging Model: RF28A												
Index No.	Description	Material or Model Number	Part Number	Q-0	Required Number							
1	Instruction Manual	-	91A3KA10A	1								
2	Shelf	(3 pack)	HS-3508	1								
3	Caster Kit	1 or 2 section	HS-3546	1								
4	Caster Shim	-	HS-3590	1								
5	Stop - Door	-	4A1873-01	1								
6	Protector Handle	-	3A2597-01	1								
7	Hex Head Bolt	5/8-11 UNC	7B0115825	4								
8	Flat Washer	5/8 USS	7W2115800	4								
9	Cable Tie	CV-200	8911-0200	1								
10	Label-Top Heavy	-	3A3958-01	4								
11	Pallet	-	3A3339-01	1								
12	Corner Post	-	3A3606-04	1								
13	Corner Post-Handle	-	3A3605-02	1								
14	Corner Post-Rear	-	3A4167-01	2								
15	Filler Pad	-	2A3563-04	3								
16	Top-28A	-	2A3564-08	1								