



Reliability is a  
beautiful thing™

# **HOSHIZAKI®** **REACH-IN**

## **TempGuard® Model**

### **RH2-SSB-GD**

## **PARTS LIST**

ITEM #: 71170  
ISSUED: May 22, 2000  
REVISED: September 27, 2005

## CONTENTS

Auxiliary Codes.....	3
Note About Ordering Parts .....	3
Material Abbreviations .....	4
A. Reach-In.....	5
B. Refrigeration Assembly .....	7
C. Control Panel Assembly .....	11
D. Body-Final .....	13
E. Label Location .....	15
F. Condenser Assembly .....	16
G. Evaporator Assembly .....	18
H. Evaporator Shroud Assembly.....	19
J. Evap Drain Pan Assembly.....	20
K. Control Box Assembly .....	21
L. Body-Prefinal .....	23
M. Mullion-Vertical .....	25
N. Panel-Front Hinged Assembly.....	27
P. Literature and Packaging .....	28

## Auxiliary Codes

<b>RH2-SSB-GD</b>	K-0	May 2000
	L-5	March 2001
	M-5	May 2002
	N-6	January 2003
	P-5	December 2003
	Q-5	December 2004

### **Note About Ordering Parts**

Most assemblies cannot be ordered as complete units; parts in the assemblies generally must be ordered separately.

## Material Abbreviations

### ALUMINUM

AL = Aluminum

### COPPER

CU = Copper

### PLASTIC

ABS = Acrylonitrile -butadiene - styrene  
AC = Polyacetal  
EVA = Ethylene vinyl acetate  
PA = Polyamide = Nylon  
PC = Polycarbonate  
PE = Polyethylene  
PES = Polyester  
PETP = Polyethylene terephthalate = Tetlon  
PP = Polypropylene  
PS = Polystyrene  
PTFE = Polytetrafluoroethylene = Teflon  
PUR = Polyurethane  
PVC = Polyvinyl chloride

### RUBBER

VN = Vinyl Nitrile  
EPDM = EP rubber  
NBR = Nitrile butadiene rubber  
NR = Natural rubber  
NP = Neoprene  
SI.R = Silicone rubber  
SY.R = Synthetic rubber  
EPH = Epichlorohydrin

### STEEL

GS = Galvanized steel  
SS = Stainless steel  
PS = Plated steel  
PAS = Primed steel

### AUXILIARY CODE

L-5

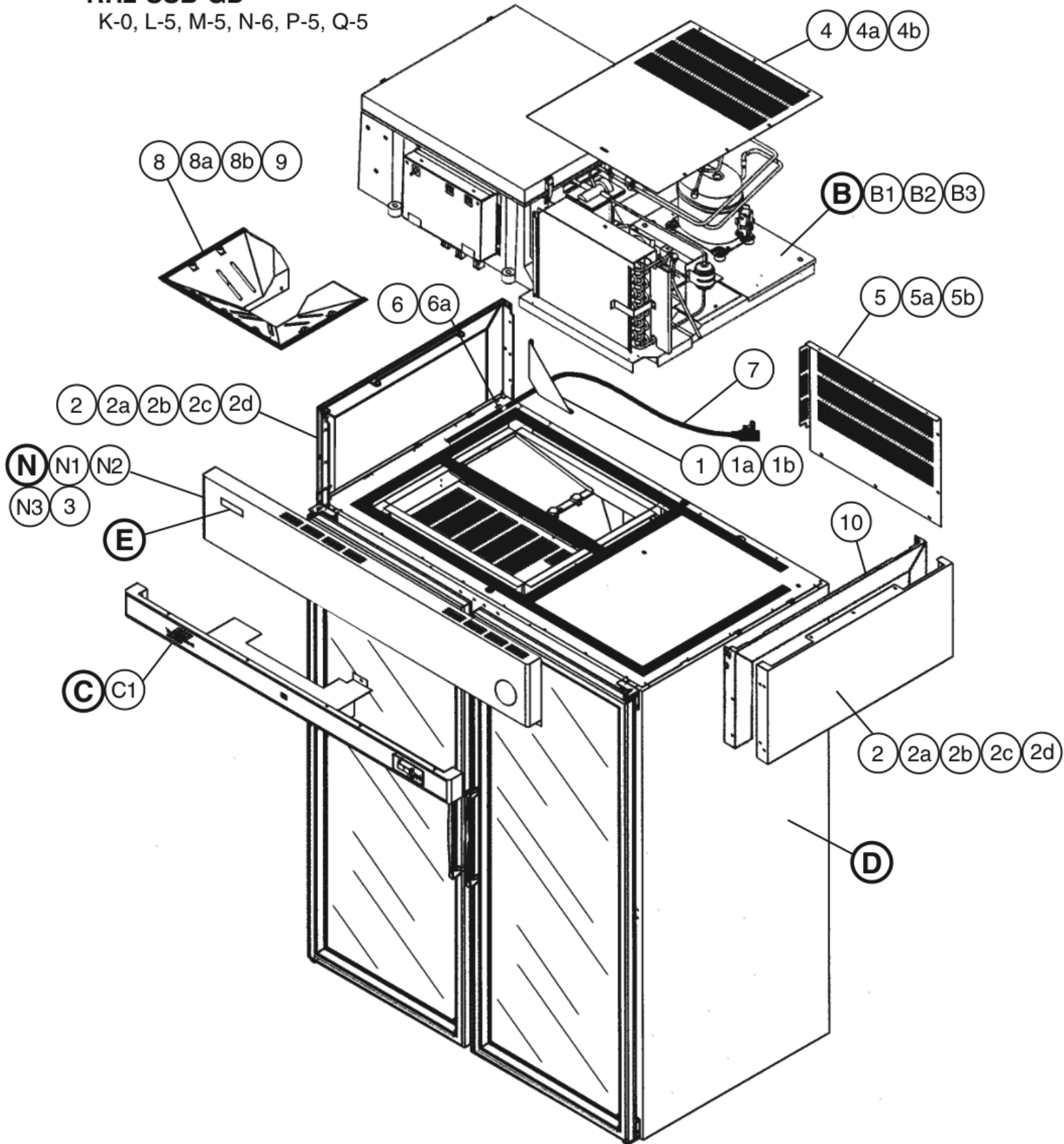
┌┌ Designates the year. "L" indicates the year 2001. Years progress or regress in alphabetical order.  
┌┌ "J" is 1999, "K" is 2000, "M" is 2002, and so on. The letters "I" and "O" were skipped.  
┌┌ Designates significant part changes within the same year for this model. Base is 5 (0 for code  
┌┌ K-0) and this number advances for each change.

Example: P-6

┌┌ "P" indicates 2004.  
┌┌ "6" indicates the first significant part change for 2004.

**A. Reach-In  
RH2-SSB-GD**

K-0, L-5, M-5, N-6, P-5, Q-5



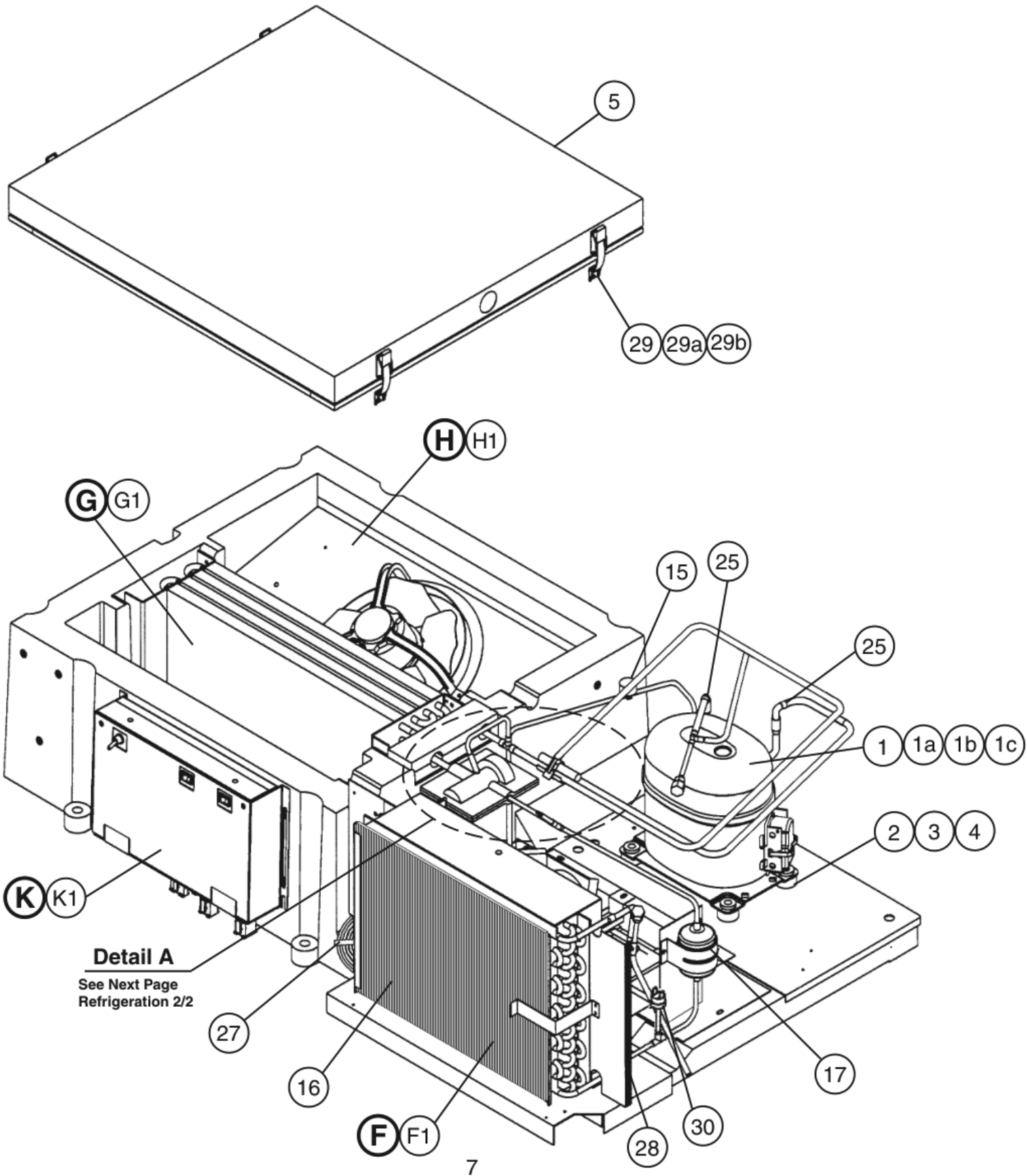
Title: <b>A. Reach-In</b> Model: <b>RH2-SSB-GD</b>												
Index No.	Description	Material or Model Number	Part Number	Required Number								
				K-0	L-5	M-5	N-6	P-5	Q-5			
B	Refrigeration Assembly	-	<a href="#">1A0493A01</a>	1	1	1	1					
B1	Bolt Assembly	8x45	<a href="#">437889-01</a>	6	6	6	6					
B2	Hex Bolt	8x70	<a href="#">7B01-0870</a>	2	2	2	2					
B3	Washer	8, SS	<a href="#">7W22-0800</a>	2	2	2	2					
C	Control Panel Assembly	-	<a href="#">2A1219A03</a>	1	1	1	1					
C1	T2 Screw	4x8, SS	<a href="#">7P32-0408</a>	7	7	7	7					
D	Body – Final	-	<a href="#">2A1215A03</a>	1	1	1	1					
E	Label Location	-	<a href="#">3A0603G05</a>	1	1	1	1					
N	Panel – Front Hinged Assembly	-	<a href="#">2A2011A02</a>	See Part #3 Below	1	1	1					
N1	Clevis Pin		<a href="#">8907-0102</a>		2	2	2					
N2	Clotter Pin		<a href="#">8907-0103</a>		2	2	2					
N3	Flat Washer		<a href="#">4A0655-03</a>		2	2	2					
1	Gusset – Side, Top	GS	<a href="#">3A1006-01</a>	1	1	-						
	Gusset – Frame		<a href="#">4A2845-01</a>			1	-					
			<a href="#">4A3856-01</a>				1					
1a	T2 Screw	4x8, SS	<a href="#">7P32-0408</a>	2	2	4	4					
1b	Truss Head Screw	5x10	<a href="#">7C31-0510</a>	2	2	-						
2	Panel – Side, Top	SS	<a href="#">2A0615-02</a>	2	-							
			<a href="#">2A1800-01</a>		2	2	2					
2a	Insert – Threaded	M5	<a href="#">4A0407-01</a>	10	4	4	4					
2b	Taper Collar	SS	<a href="#">4H0171-01</a>	4	4	4	4					
2c	Countersunk Screw	5x20, SS	<a href="#">7C42-0520</a>	4	4	4	4					
2d	Bracket – Hinge	GS	<a href="#">4A2306-01</a>		2	2	2					
3	Panel – Front	SS	<a href="#">1A0040-01</a>	1	See Assembly N							
4	Top UL Cover	GS	<a href="#">2A1118-03</a>	1	1	1	1					
4a	T2 Screw	4x8, SS	<a href="#">7P32-0408</a>	2	5	5	5					
4b	Truss Head Screw	5x10, SS	<a href="#">7C32-0510</a>	3	-							
5	Rear UL Cover	GS	<a href="#">2A1117-01</a>	1	1	1	1					
5a	T2 Screw	4x8, SS	<a href="#">7P32-0408</a>	3	5	5	5					
5b	Truss Head Screw	5x10, SS	<a href="#">7C32-0510</a>	2	-							
6	Wire Clamp	PS	<a href="#">4A0809-03</a>	1	1	1	1					
6a	Truss Head Screw	5x8, SS	<a href="#">7C32-0508</a>	1	1	1	1					
7	Power Cordset	-	<a href="#">4A1543-01</a>	1	1	1	1					
8	Distributor – Air Top	ABS	<a href="#">1A0152-02</a>	1	1	1	1					
8a	T2 Screw	4x8, SS	<a href="#">7P32-0408</a>	7	7	7	7					
8b	T2 Screw	4x10, SS	<a href="#">7P32-0410</a>	2	2	2	2					
9	Gasket	L=1061	<a href="#">4A0808L02</a>	1	1	1	1					
10	Frame – Side Top	GS	<a href="#">2A1803-01</a>		2	2	2					

## B. Refrigeration Assembly

1/2

RH2-SSB-GD

K-0, L-5, M-5, N-6, P-5, Q-5

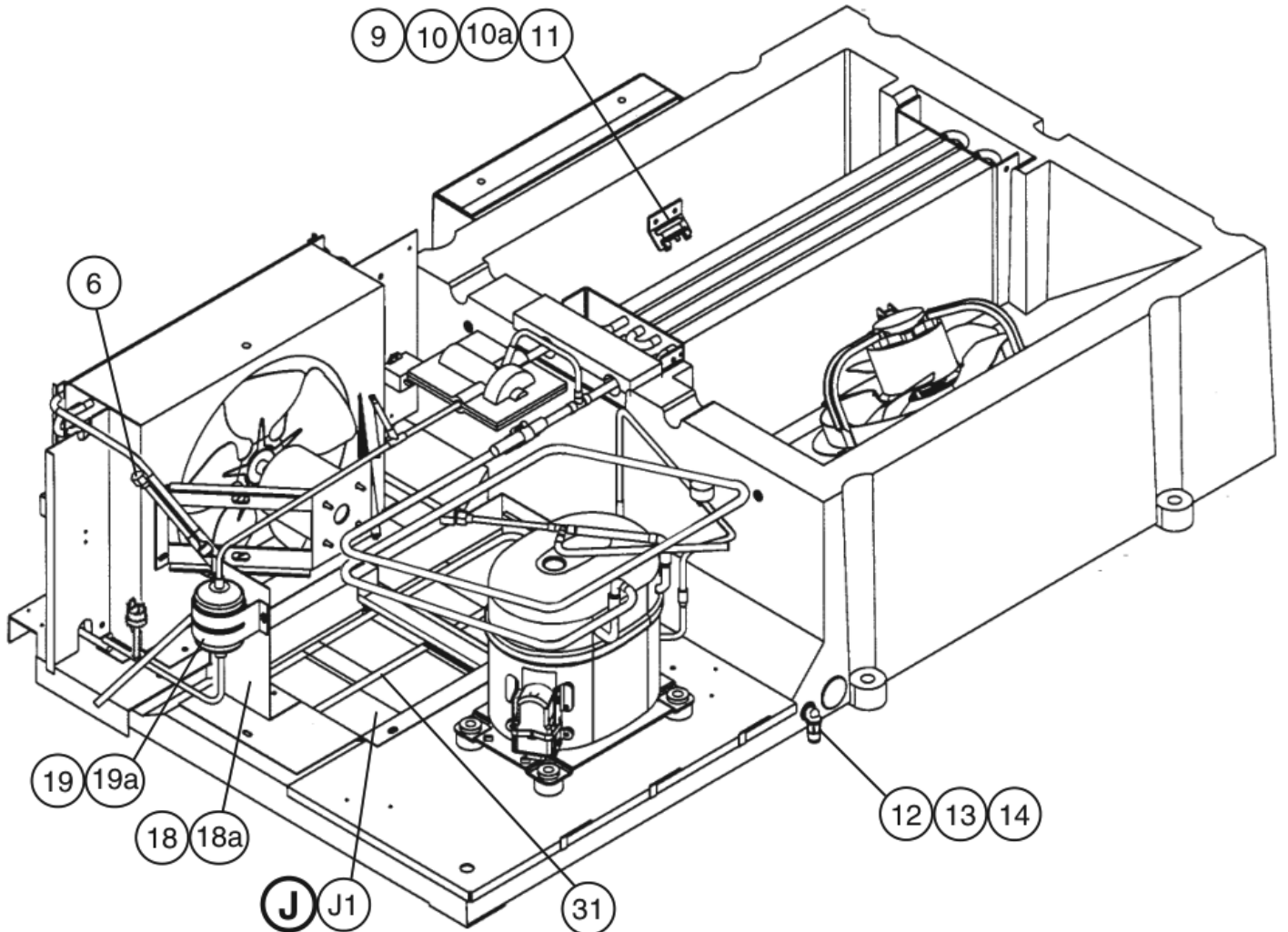
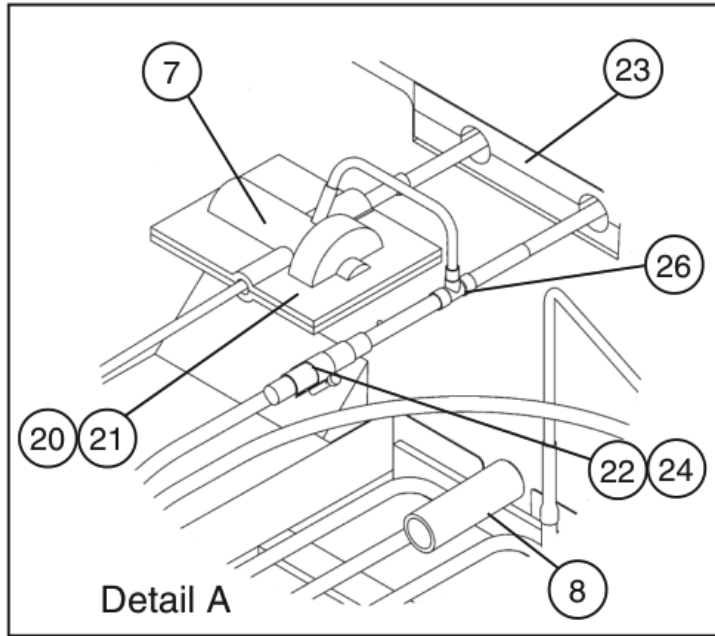


# B. Refrigeration Assembly

2/2

## RH2-SSB-GD

K-0, L-5, M-5, N-6, P-5, Q-5

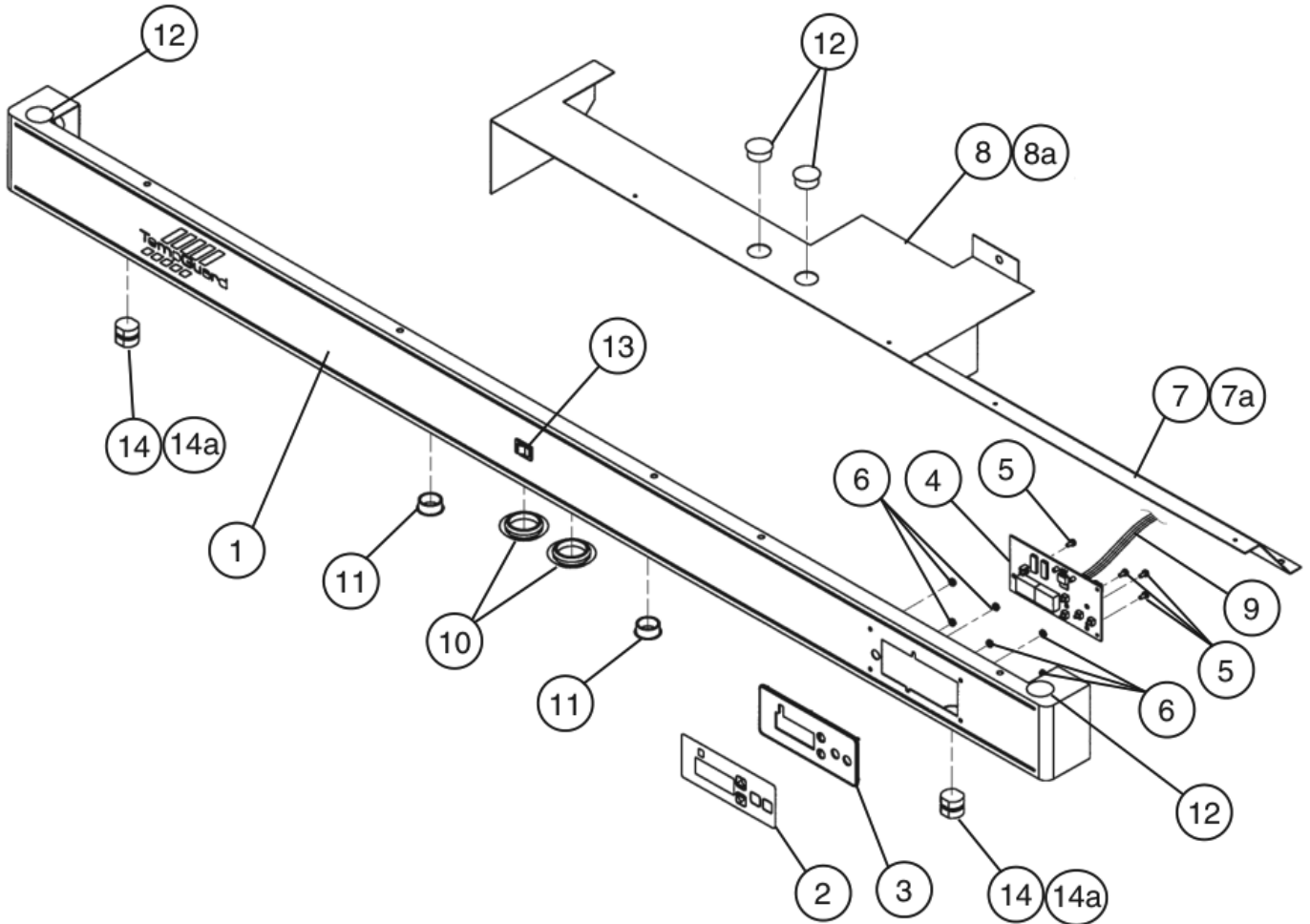


Title: **B. Refrigeration Assembly** Model: **RH2-SSB-GD**

Index No.	Description	Material or Model Number	Part Number	Required Number								
				K-0	L-5	M-5 to Q-5						
F	Condenser Assembly	-	3A0585A01	1	1	1						
F1	T2 Screw	4x8, SS	7P32-0408	4	4	4						
G	Evap Assembly	-	2A1297A02	1	1	1						
G1	T2 Screw	4x8, SS	7P32-0408	2	2	2						
H	Evap Shroud Assembly	-	3A0263G01	1	1	1						
H1	Truss Head Screw	4x16, SS	7C32-0416	2	2	2						
J	Evap Drain Pan Assembly	-	4A0679A02	1	-							
			4A0679A03		1	1						
J1	T2 Screw	4x8, SS	7P32-0408	6	6	6						
K	Control Box Assembly	-	2A1732A01	1	1	1						
K1	Truss Head Screw	4x16, SS	7C32-0416	4	4	4						
1	Compressor	-	4A1820-01	1	1	1						
1a	Protector	(Included with new compressor)	4A1875-01	1	1	1						
1b	Protective Cover Group	AKP1000	Supplied with compressor	1	1	1						
1c	Protector Holder	26126		1	1	1						
2	Spacer	027-0072-02	434404-01	4	4	4						
3	Grommet	027-0073-00	434403-01	4	4	4						
4	Bolt	-	437889-01	4	4	4						
5	Cover Evap Case	-	2A0245G01	1	1	1						
6	Cond – Dis Assembly	-	3A1585G01	1	1	1						
7	Expansion Valve		4A2095-01	1	1	1						
8	Pipe – Evap Drain	PVC	3A0143-01	1	1	1						
9	Thermistor – Cabinet	4A1429	4A1429-01	1	1	1						
10	Thermistor Bracket (A)	ABS	433964-01	1	1	1						
10a	Truss Head Screw	4x16, SS	7C32-0416	2	2	2						
11	Thermistor Bracket (B)	SS	433920-01	1	1	1						
12	Elbow – Tubing	PP	4A0711-01	1	1	1						
13	Bushing	SB-750-625	420470-13	1	1	1						
14	Vinyl Hose	L=350	773013812	1	1	1						
15	Thermostat – Clean Filter	37TJ32	4A0484-01	1	1	1						
16	Filter – Condenser	-	3A0277-02	1	1	1						
17	Drier	C-05E73	4A0924-01	1	1	1						
18	Drier Stand	GS	4A0949-01	1	1	1						
18a	T2 Screw	4x8, SS	7P32-0408	2	2	2						
19	Drier – Bracket	GS	4A0806-01	1	1	1						
19a	T2 Screw	4x8, SS	7P32-0408	2	2	2						
20	Exp Valve Cover (A)	PE Foam	3A0372-01	1	1	1						
21	Exp Valve Cover (B)	PE Foam	3A1495-01	1	1	1						
22	Holder – Exp Valve	SS	3A0107-01	1	1	1						
23	Seal – Ref Tubing	NP	3A0257-01	2	2	2						
24	Hose Clamp	6808	443461-01	1	1	1						

Title: <b>B. Refrigeration Assembly</b> Model: <b>RH2-SSB-GD</b>											
Index No.	Description	Material or Model Number	Part Number	Required Number							
				K-0	L-5	M-5 to Q-5					
25	Elbow	CU	<a href="#">4A0726-02</a>	2	2	2					
26	Tee	996	<a href="#">436000-06</a>	1	1	1					
27	Wire Tie (Twist)	232-160607-00-0101	<a href="#">4A1223-01</a>	5	5	5					
28	Foam Tape	L=300	<a href="#">8208-0005</a>	1	1	1					
29	Draw Latch	97-50-224-11	<a href="#">4A1710-01</a>	4	4	4					
29a	T2 Screw	4x8, SS	<a href="#">7P32-0408</a>	8	8	8					
29b	Truss Head Screw	4x16, SS	<a href="#">7C32-0416</a>	4	4	4					
30	Switch – Pressure	Previously part of Assembly F	<a href="#">4A2516-02</a>			1					
31	Coil Condensate		<a href="#">2A1856-01</a>	1	1	1					

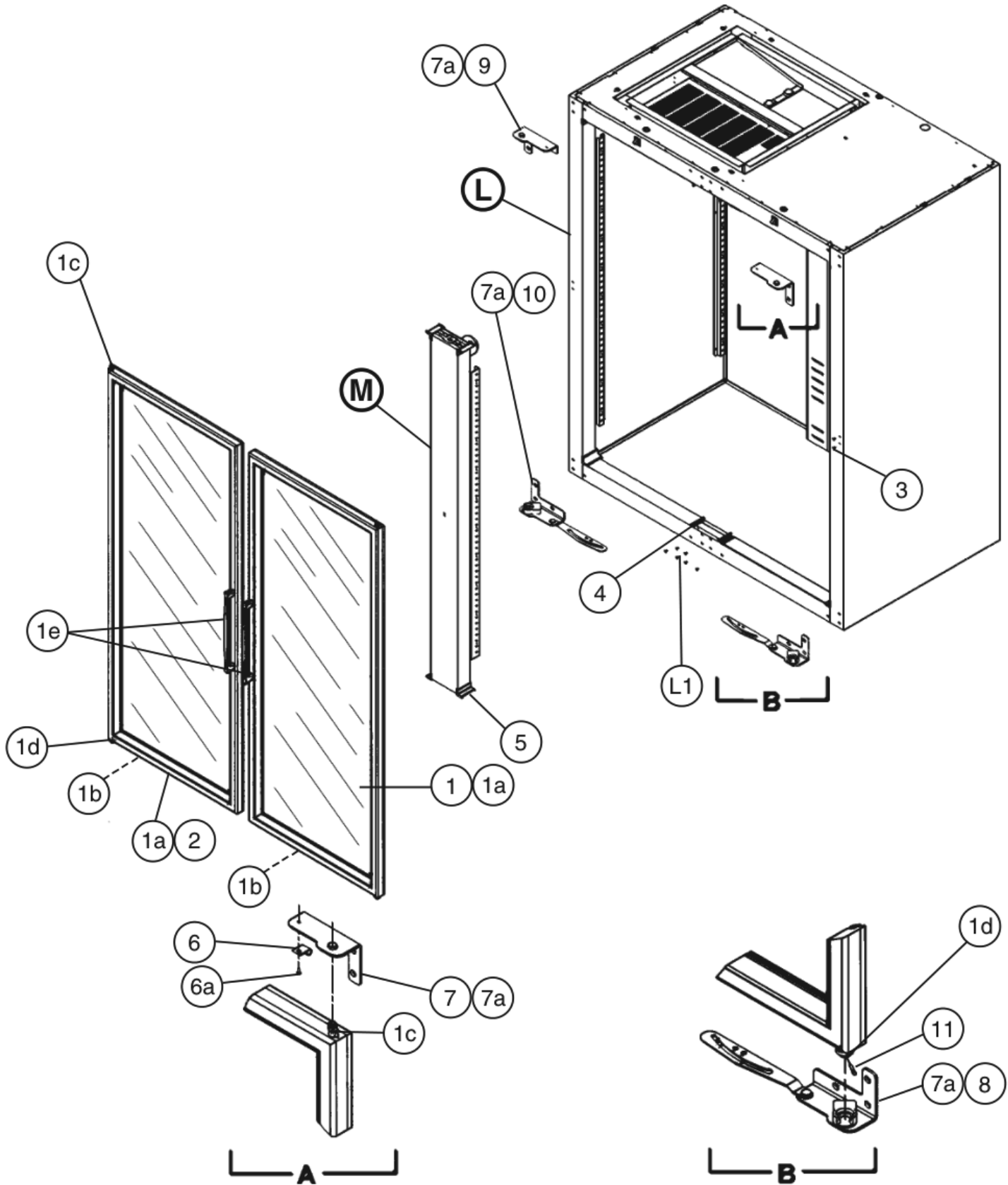
**C. Control Panel Assembly**  
**RH2-SSB-GD**  
K-0, L-5, M-5, N-6, P-5, Q-5



Title: C. Control Panel Assembly Model: RH2-SSB-GD												
Index No.	Description	Material or Model Number	Part Number	Required Number								
				K-0	L-5 M-5	N-6	P-5	Q-5				
1	Panel – Control (Painted GD)		3A1571G01	1	-							
			1A0631G01		1	-						
	Panel – Control		1A0835-02			1	1	1				
2	Label – Display	-	4A1558-01	1	1	-						
			3A2850-01			1	1	1				
3	Mount – Display Board	PC	3A0823-01	1	1	1	1	1				
4	Board – Display	3287A000	2A0883-01	1	1	1	1	1				
5	Nylon Screw	50M030050G006	4A1397-01	4	4	4	4	4				
6	Palnut	SR 125004	4A1398-01	6	6	6	6	6				
7	Board Cover	GS	3A1046-01	1	1	1	1	1				
7a	T2 Screw	4x8, SS	7P32-0408	2	2	2	2	2				
8	Control Panel Cover	GS	3A0599-01	1	1	1	-					
	UL Cover – Wire Prison		2A2308-01				1	1				
8a	T2 Screw	4x8, SS	7P32-0408	2	2	2	2	2				
9	Ribbon Cable	D-HA-104	4A1106-02	1	1	1	1	1				
10	Plug – Hole	PE	4A0420-02	2	2	2	2	-				
	Locking Hole Plug		4A0586-02					2				
11	Locking Hole Plug	2663(Black)	4A0586-04	2	2	2	2	2				
12	Locking Hole Plug	2703(Black)	4A0586-03	4	4	4	4	4				
13	Switch – Rocker	1801-1102	4A0418-01	1	1	1	1	1				
14	Strain Relief		4A2148-01	2	2	2	2	2				
14a	Washer		4A2147-01	4	4	4	4	4				

# D. Body-Final RH2-SSB-GD

K-0, L-5, M-5, N-6, P-5, Q-5



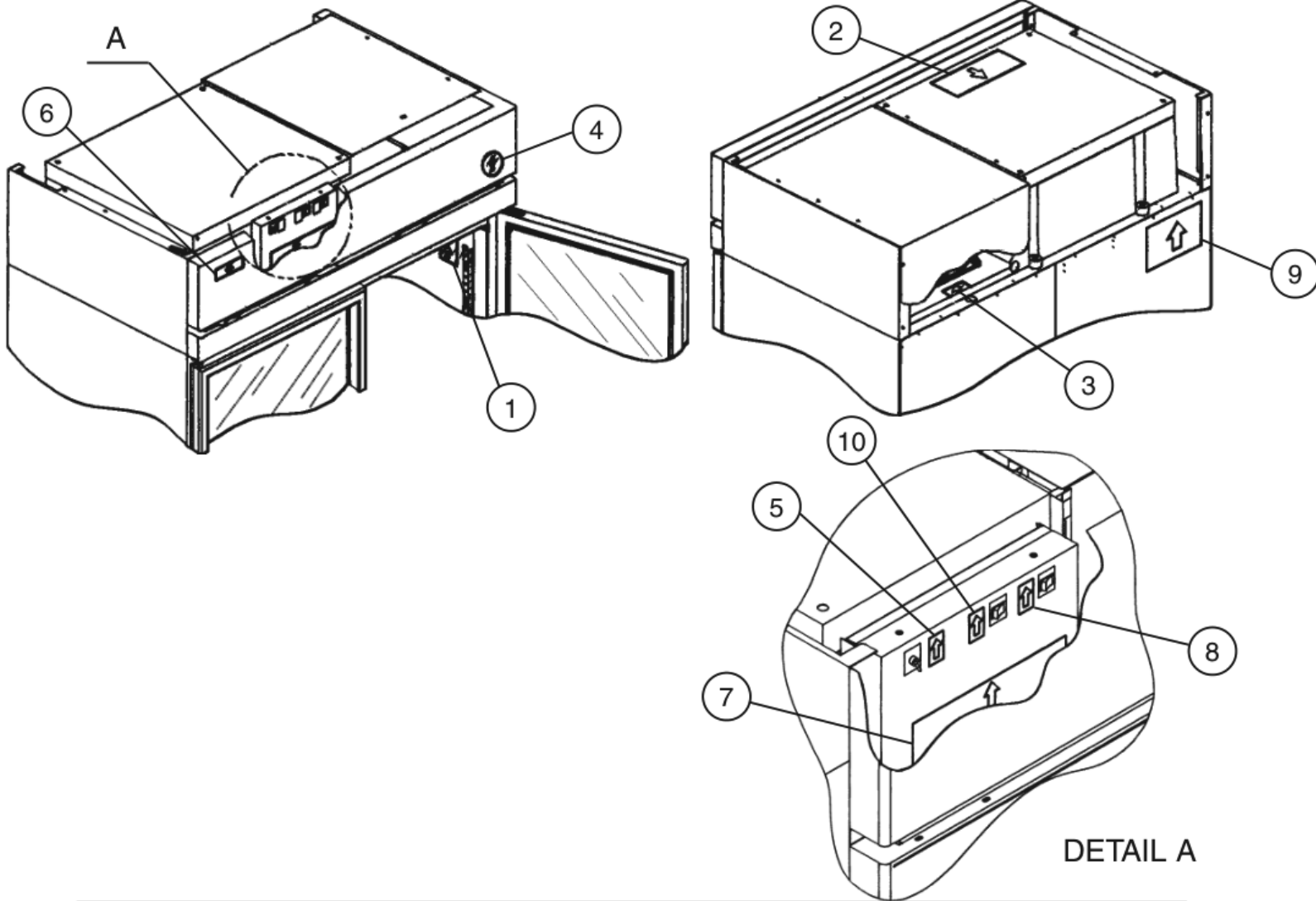
Title: **D. Body-Final** Model: **RH2-SSB-GD**

Index No.	Description	Material or Model Number	Part Number	Required Number								
				K-0	L-5	M-5 to Q-5						
L	Body – Prefinal	-	<a href="#">2A1207A03</a>	1	1	1						
L1	Truss Head Screw	5x10, SS	<a href="#">7C32-0510</a>	12	12	12						
M	Mullion – Vertical	-	<a href="#">2A1289A02</a>	1	1	1						
1	Glass Door (Right)	-	<a href="#">2A1720-01</a>	1	1	1						
1a	Gasket – Glass Door		<a href="#">4A2052-01</a>	2	2	2						
1b	Pin – Glass Door		<a href="#">4A2047-01</a>	2	2	2						
1c	Clip – Glass Door		<a href="#">4A2048-01</a>	2	2	2						
1d	Rod – Torque		<a href="#">4A2072-01</a>	2	2	2						
1e	Handle – Glass Door		<a href="#">4A2106-01</a>	2	2	2						
2	Glass Door (Left)	-	<a href="#">2A1730-01</a>	1	1	1						
3	Canoe Clip	254-090301-00-0108	<a href="#">4A0629-01</a>	6	6	6						
4	Bracket – Corner	SS	<a href="#">4A0350-01</a>	4	-							
			<a href="#">4A2261-01</a>		4	-						
			<a href="#">4A2655-01</a>			4						
5	Cover – Corner	ABS	<a href="#">3A0221-01</a>	4	-							
			<a href="#">3A1751-01</a>		8	8						
6	Wire Clamp	PS	<a href="#">4A0809-02</a>	2	2	2						
6a	Truss Head Screw	4x6, SS	<a href="#">7C32-0406</a>	2	2	2						
7	Hinge – Top Glass Door (Right)	SS	<a href="#">3A1568-01</a>	1	1	1						
7a	Countersunk Screw	5x20, SS	<a href="#">7C42-0520</a>	12	12	12						
8	Hinge – Bottom Glass Door (Right)	SS	<a href="#">3A1569-01</a>	1	1	1						
9	Hinge – Top Glass Door (Left)	SS	<a href="#">3A1550-01</a>	1	1	1						
10	Hinge – Bottom Glass Door (Left)	SS	<a href="#">3A1551-01</a>	1	1	1						
11	Pin, Torque	15-10320-0001	<a href="#">4A2071-01</a>	2	2	2						

## E. Label Location

### RH2-SSB-GD

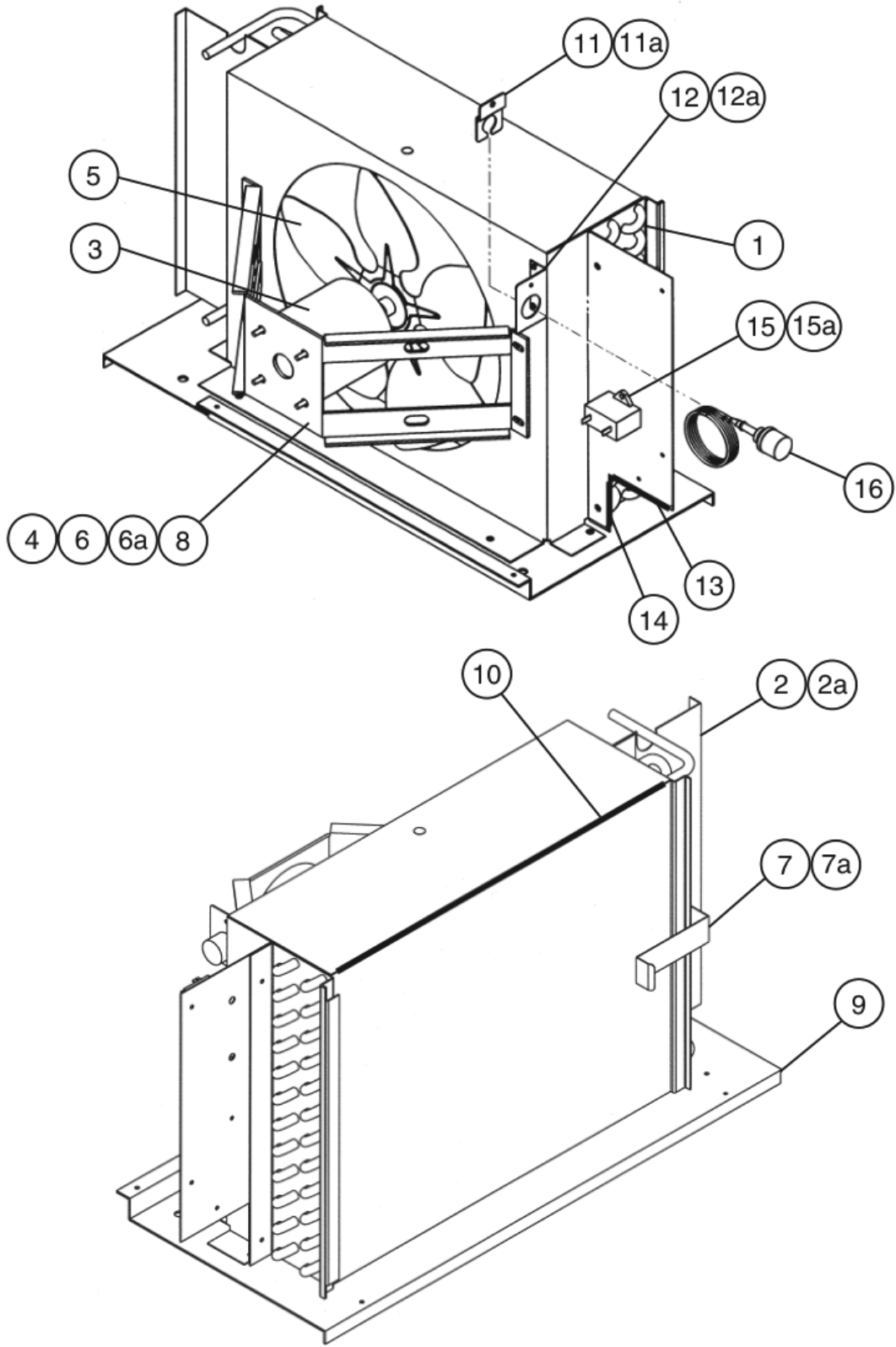
K-0, L-5, M-5, N-6, P-5, Q-5



Title: E. Label Location Model: RH2-SSB-GD									
Index No.	Description	Material or Model Number	Part Number	Required Number					
				K-0 to N-6	P-5 Q-5				
1	Cover – Nameplate		4A3727-01		1				
2	Wiring Label	PVC Film	2A1737-01	1	-				
			2A2353-01		1				
3	Label – R404A	-	4A0960-01	1	1				
4	Label – Penguin – HA(L)	-	4A0526-02	1	1				
5	Label – On/Off	PVC Film	4A0522-01	1	1				
6	Emblem – Hoshizaki	-	4A0560-01	1	1				
7	Label – Display Info	PVC Film	3A1413-01	1	1				
8	Label – Door Heater Switch	PVC Film	4A1039-01	1	1				
9	Caution Label	PVC Film	4A1931-01	1	1				
10	Label – Glass Door Heater Switch	PVC Film	4A2076-01	1	1				

**F. Condenser Assembly**  
**RH2-SSB-GD**

K-0, L-5, M-5, N-6, P-5, Q-5

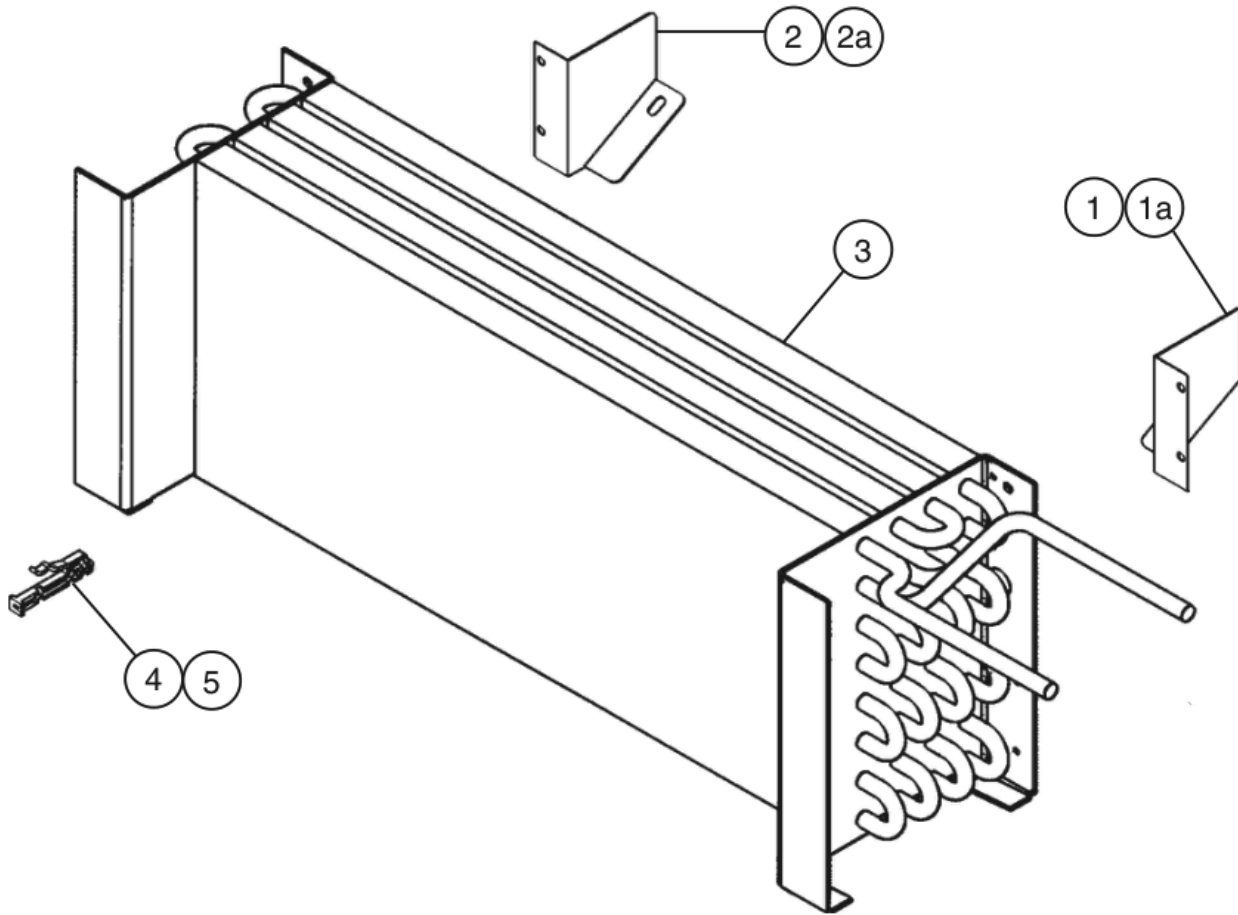


Title: **F. Condenser Assembly** Model: **RH2-SSB-GD**

Index No.	Description	Material or Model Number	Part Number	Required Number								
				K-0 L-5	M-5 to P-5	Q-5						
1	Condenser	973803	<a href="#">2A0638-01</a>	1	1	1						
2	Shroud – Condenser	GS	<a href="#">2A1491-01</a>	1	1	1						
2a	T2 Screw	4x8, SS	<a href="#">7P32-0408</a>	8	8	-						
		4x12, SS	<a href="#">7P32-0412</a>			8						
3	Fan Motor	U90B1 7190-1031	<a href="#">440911-01</a>	1	1	-						
		5KCP84DFK148S GE	<a href="#">4A3158-01</a>			1						
4	Self Locking Nut	8x32	<a href="#">7N2110832</a>	4	4	4						
5	Fan Blade (Puller)	AL	<a href="#">4A1865-01</a>	1	1	1						
6	Bracket – Condenser Fan Motor	GS	<a href="#">2A1668-01</a>	1	1	1						
6a	Truss Head Screw	5x12, SS	<a href="#">7C32-0512</a>	4	4	4						
7	Retainer – Filter	SS	<a href="#">4A2138-01</a>	1	1	1						
7a	T2 Screw	4x8	<a href="#">7P32-0408</a>	2	2	2						
8	Insert – Threaded	M5	<a href="#">4A0407-01</a>	5	5	5						
9	Base – Condenser	GS	<a href="#">2A1217-01</a>	1	1	1						
10	Grommet Strip	L-380	<a href="#">4A1341L01</a>	1	1	1						
11	Bracket – Press Switch (A)	GS	<a href="#">4A0552-01</a>	1	-							
11a	T2 Screw	4x8, SS	<a href="#">7P32-0408</a>	1	-							
12	Bracket – Press Switch (B)	GS	<a href="#">4A1565-01</a>	1	-							
12a	T2 Screw	4x8, SS	<a href="#">7P32-0408</a>	2	-							
13	Grommet Strip	L=70	<a href="#">4A1341L01</a>	1	1	1						
14	Grommet Strip	L=63.5	<a href="#">4A1341L01</a>	1	1	1						
15	Capacitor	UP25B505UEF	<a href="#">443192-02</a>	1	1	1						
15a	T2 Screw	4x8, SS	<a href="#">7P32-0408</a>	1	1	1						
16	Switch – Pressure	See Assembly B	<a href="#">3A0335-02</a>	1	-							

# G. Evaporator Assembly RH2-SSB-GD

K-0, L-5, M-5, N-6, P-5, Q-5

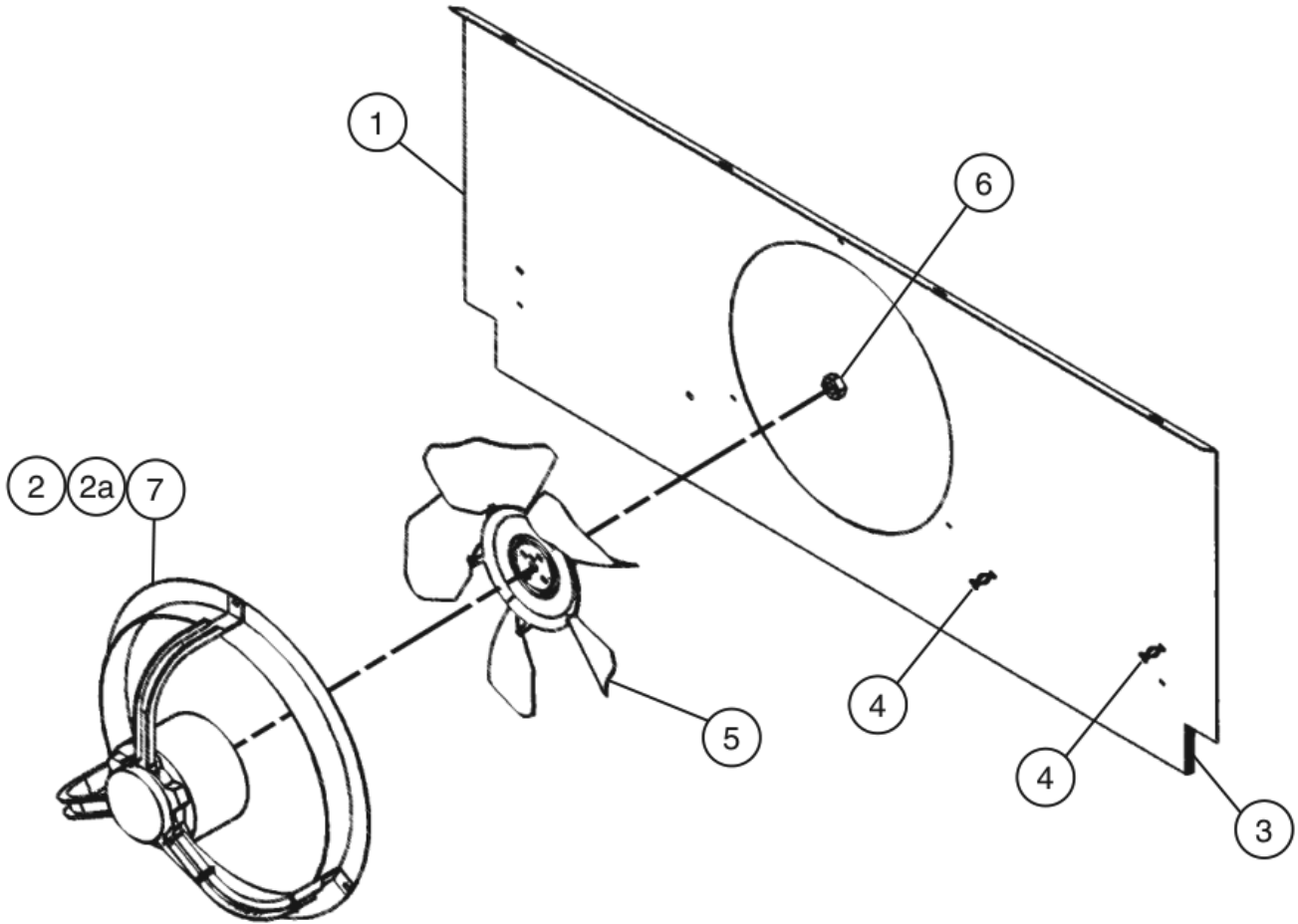


Title: G. Evaporator Assembly Model: RH2-SSB-GD					Required Number								
Index No.	Description	Material or Model Number	Part Number	K-0 to Q-5									
1	Bracket – Evap Shroud (R)	SS	4A0545-01	1									
1a	T2 Screw	4x8, SS	7P32-0408	2									
2	Bracket – Evap Shroud (L)	SS	4A0548-01	1									
2a	T2 Screw	4x8, SS	7P32-0408	2									
3	Evaporator	3EZ0603KT	2A1252-01	1									
4	Clip – Thermistor	-	320418-01	1									
5	Thermistor – Defrost	-	4A1428-01	1									

# H. Evaporator Shroud Assembly

## RH2-SSB-GD

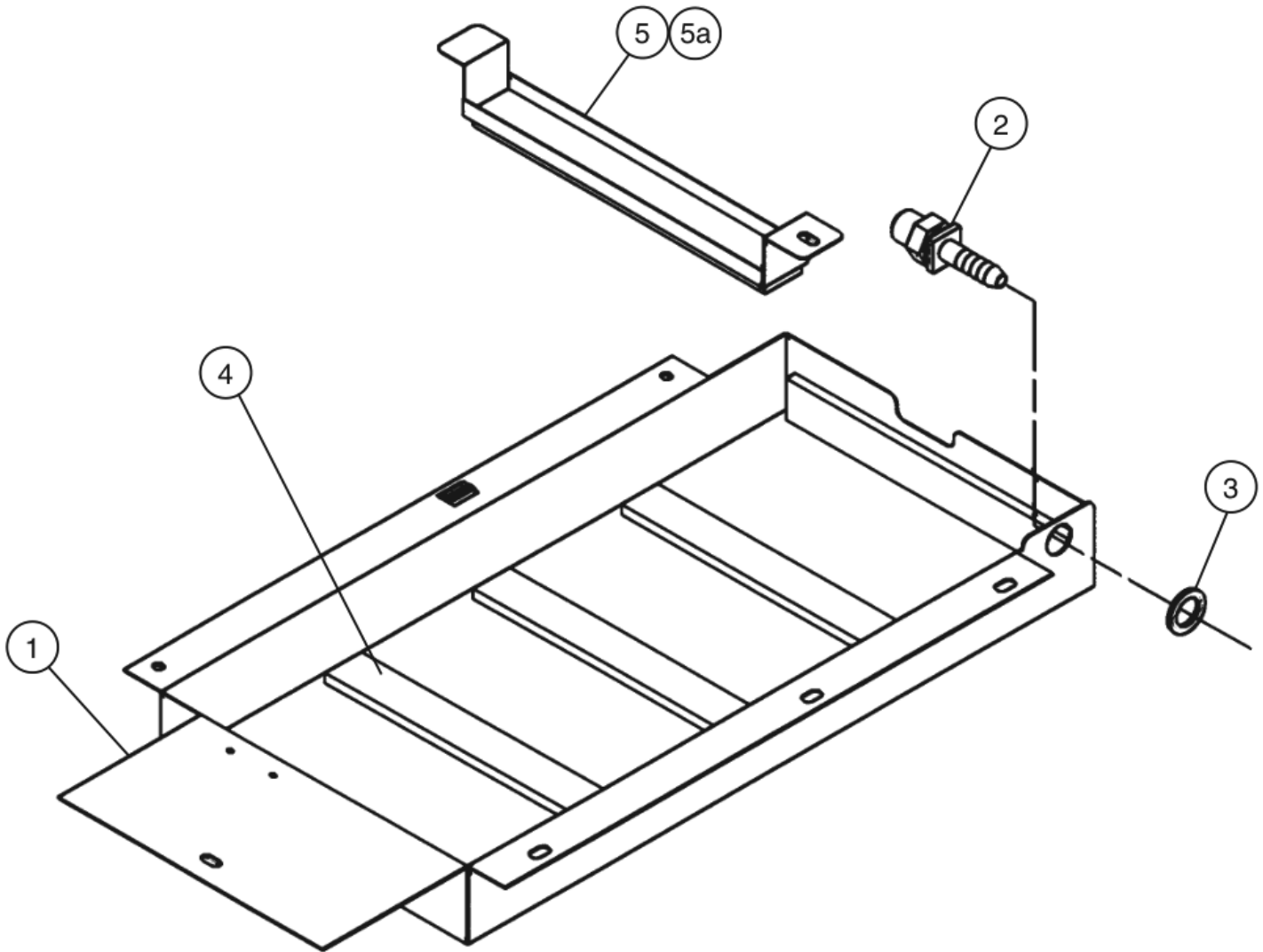
K-0, L-5, M-5, N-6, P-5, Q-5



Title: H. Evaporator Shroud Assembly Model: RH2-SSB-GD														
Index No.	Description	Material or Model Number	Part Number	Required Number										
				K-0	L-5 to Q-5									
1	Shroud – Evap	SS	<a href="#">1A0100-01</a>	1	1									
2	Evap Fan Assembly	-	<a href="#">4A0411-01</a>	1	1									
2a	T2 Screw	4x8, SS	<a href="#">7P32-0408</a>	3	3									
3	Gasket – PVC	L=502	<a href="#">4A0414L01</a>	1	-									
			<a href="#">4A0414L03</a>		1									
4	Wire Tie (Twist)	Nylon	<a href="#">4A1223-01</a>	2	2									
5	Blade – Fan (Pusher)	AD9CCW30UBA	<a href="#">3A0438-01</a>	1	1									
6	Hex Nut	PS	<a href="#">4A1345-01</a>	1	1									
7	Lock Washer	SS	<a href="#">4A0459-01</a>		3									

# J. Evap Drain Pan Assembly RH2-SSB-GD

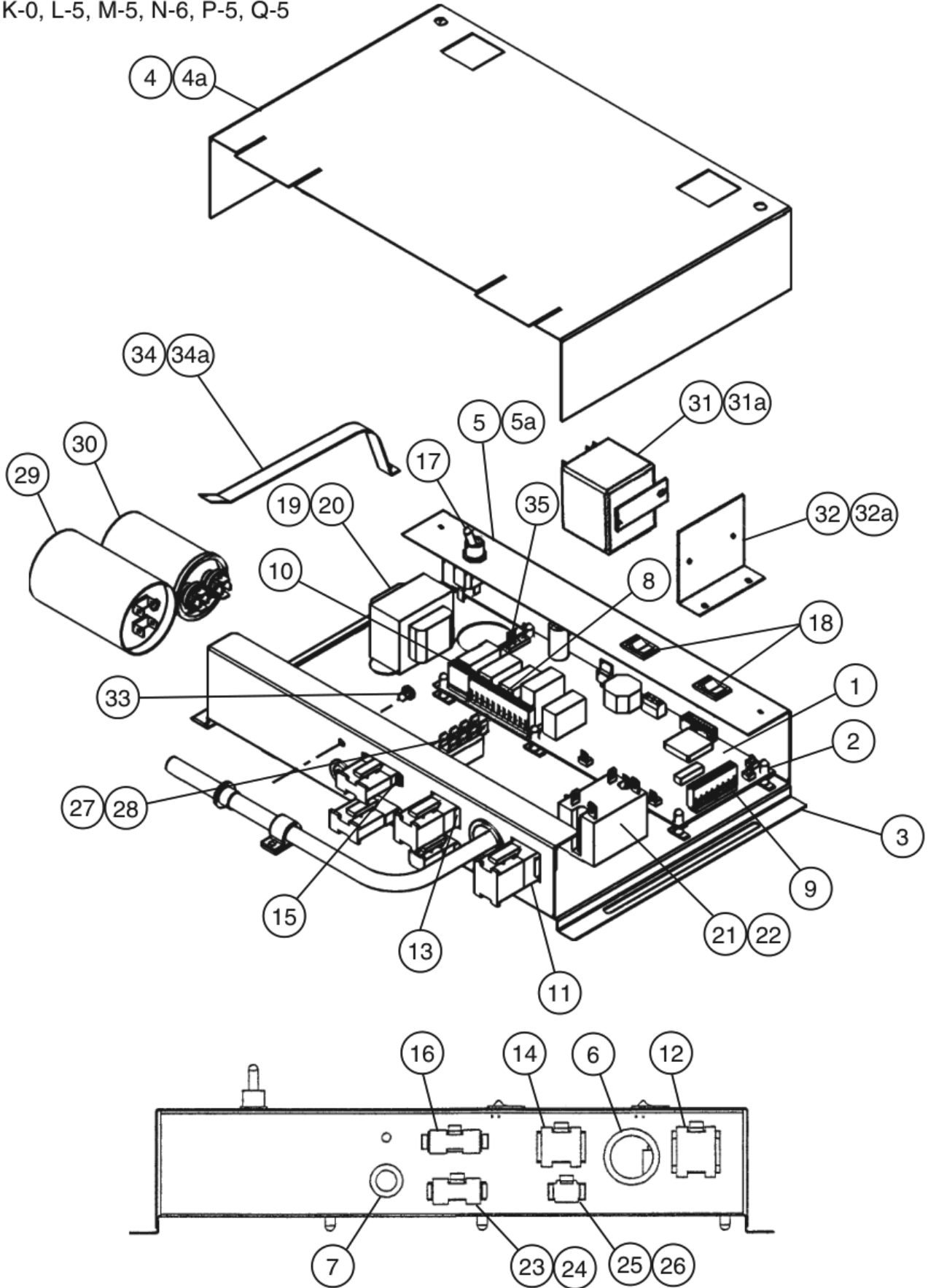
K-0, L-5, M-5, N-6, P-5, Q-5



Title: J. Evap Drain Pan Assembly Model: RH2-SSB-GD													
Index No.	Description	Material or Model Number	Part Number	Required Number									
				K-0	L-5 to Q-5								
1	Pan Evap Drain	SS	2A0200-02	1	1								
2	Fitting - Drain Overflow	Nylon	4A2182-01	1	1								
3	Rubber Gasket	-	413854-03	1	1								
4	Gasket - Cond Coil	R-471E SBE-41	4A0455-01	6	1								
5	Strap - Condensate Coil	SS	3A0413-01	1	-								
			3A0413-03		1								
5a	Truss Head Screw	5x10, SS	7C32-0510	1	1								

# K. Control Box Assembly RH2-SSB-GD

K-0, L-5, M-5, N-6, P-5, Q-5

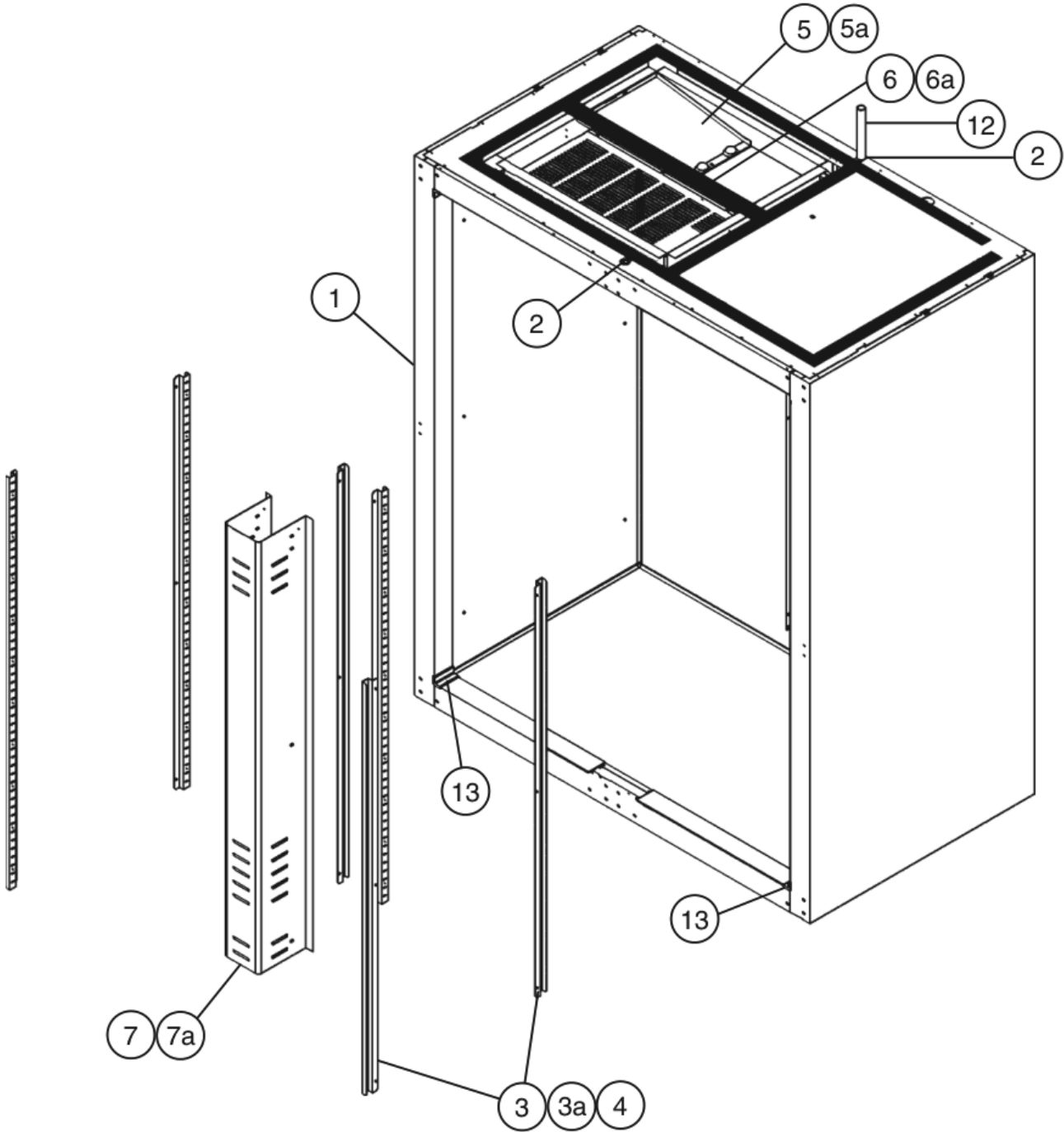


Title: **K. Control Box Assembly** Model: **RH2-SSB-GD**

Index No.	Description	Material or Model Number	Part Number	Required Number									
				K-0	L-5	M-5 to P-5	Q-5						
1	Board – Control	3288C000	<a href="#">2A0882-01</a>	1	-								
		3288D000	<a href="#">2A1854-01</a>		1	1	-						
		3288E000	<a href="#">2A2862-21</a>				1						
2	Board Support	NYLON	<a href="#">4A0336-03</a>	6	6	6	6						
3	Base – Control Box	GS	<a href="#">2A1146-01</a>	1	1	1	1						
4	Cover – Control Box	GS	<a href="#">2A1031-02</a>	1	1	1	1						
4a	T2 Screw	4x8, SS	<a href="#">7P32-0408</a>	2	2	2	2						
5	Switch – Bracket	GS	<a href="#">2A1032-02</a>	1	1	1	1						
5a	T2 Screw	4x8, SS	<a href="#">7P32-0408</a>	2	2	2	2						
6	Bushing	SB-1093-15	<a href="#">420470-03</a>	1	1	1	1						
7	Bushing	SB-625-8	<a href="#">420470-01</a>	1	1	1	1						
8	Board Connector	5198-10	<a href="#">434003-05</a>	1	1	1	1						
9	Board Connector	5198-07	<a href="#">434003-07</a>	1	1	1	1						
10	Board Connector	5198-03	<a href="#">434003-11</a>	1	1	1	1						
11	Plug Housing (9 Pin)	3191-09P	<a href="#">412832-02</a>	1	1	1	1						
12	Receptacle Housing (9 Pin)	3191-09R1	<a href="#">412831-02</a>	1	1	1	1						
13	Plug Housing (6 Pin)	3191-06P	<a href="#">412832-03</a>	1	1	1	1						
14	Receptacle Housing (6 Pin)	3191-06R1	<a href="#">412831-03</a>	1	1	1	1						
15	Plug Housing	03-12-1036	<a href="#">4A0425-01</a>	1	1	1	1						
16	Receptacle Housing	03-12-1035	<a href="#">4A0426-01</a>	1	1	1	1						
17	Switch – Toggle	780K21	<a href="#">4A0424-01</a>	1	1	1	1						
18	Switch – Rocker	1801.110	<a href="#">4A0418-01</a>	2	2	2	2						
19	Transformer	Interchangeable but requires part 35 below	<a href="#">3A0172-01</a>	1	-								
			<a href="#">3A1759-01</a>		1	1	1						
20	Tapping Screw	3x8	<a href="#">431415-01</a>	1	2	2	2						
21	Comp Relay	HE1aN-AC120V	<a href="#">4A1307-01</a>	1	1	1	1						
22	Tapping Screw	3x8	<a href="#">431415-01</a>	2	2	2	2						
23	Receptacle Housing (4 Pin)	3191-04R1	<a href="#">412831-05</a>	1	1	1	1						
24	Plug Housing (4 Pin)	3191-4P	<a href="#">412832-05</a>	1	1	1	1						
25	Receptacle Housing (2 Pin)	3191-02R1	<a href="#">412831-07</a>	1	1	1	1						
26	Plug Housing (2 Pin)	3191-2P	<a href="#">412832-07</a>	1	1	1	1						
27	Terminal Block	-	<a href="#">4A1540-01</a>	1	1	-							
			<a href="#">4A2619-01</a>			1	1						
28	Tapping Screw		<a href="#">431415-01</a>	1	1	1	1						
29	Capacitor – Start		<a href="#">3A0076-15</a>	1	1	1	1						
30	Capacitor – Run		<a href="#">439943-02</a>	1	1	-							
			<a href="#">3A2005-06</a>			1	1						
31	Starter	-	<a href="#">4A1107-04</a>	1	1	1	1						
31a	T2 Screw	4x8, SS	<a href="#">7P32-0408</a>	1	1	1	1						
32	Mount Bracket		<a href="#">4A1876-01</a>	1	1	1	1						
32a	T2 Screw	4x8, SS	<a href="#">7P32-0408</a>	2	2	2	2						
33	Grounding Screw	M5	<a href="#">433304-02</a>	1	1	1	1						
34	Strap		<a href="#">434580-08</a>	1	1	1	1						
34a	T2 Screw	4x8, SS	<a href="#">7P32-0408</a>	1	1	1	1						
35	Board Connector	See note on #19 above	<a href="#">434003-09</a>			1	1						

**L. Body-Prefinal**  
**RH2-SSB-GD**

K-0, L-5, M-5, N-6, P-5, Q-5

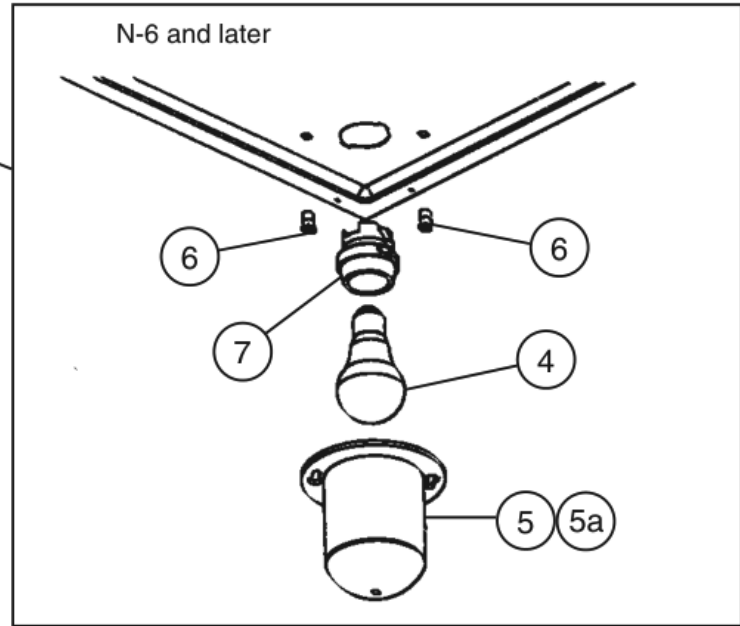
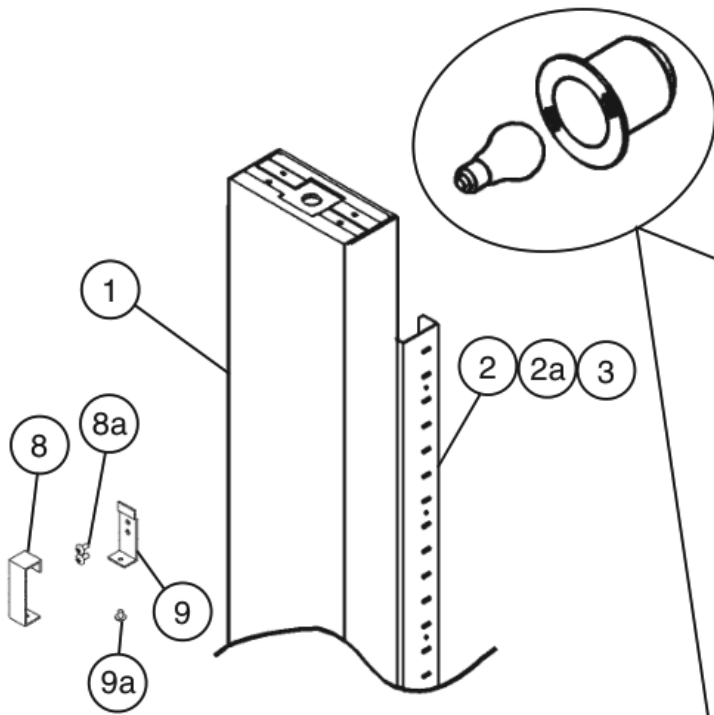


Title: L. Body-Prefinal Model: RH2-SSB-GD										
Index No.	Description	Material or Model Number	Part Number	Required Number						
				K-0	L-5 to P-5	Q-5				
1	Cabinet – Prefoam	-	2A0706G03	1	1	1				
2	Bushing	OCB-875	428394-04	2	2	2				
3	Pilaster	SS	3A0145-01	6	6	6				
3a	Truss Head Screw	5x10, SS	7C32-0510	18	18	18				
4	Insert – Threaded (M5)	PS	4A0407-01	18	18	18				
5	Baffle – Air	ABS	2A0625-01	1	1	1				
5a	Truss Head Screw	5x10, SS	7C32-0510	2	2	2				
6	Divider – Air	SS	2A0199-01	1	1	1				
6a	T2 Screw	4x8, SS	7P32-0408	4	4	4				
7	Distributor – Air (Bottom)	SS	1A0512-01	1	1	-				
			1A0985-01			1				
7a	Truss Head Screw	5x10, SS	7C32-0510	6	6	6				
12	Vinyl Hose	L=1700	773013812	1	1	1				
13	Cover – Corner	ABS	3A0221-01	4	-					
		ABS	3A1751-01		4	4				

# M. Mullion-Vertical

## RH2-SSB-GD

K-0, L-5, M-5, N-6, P-5, Q-5

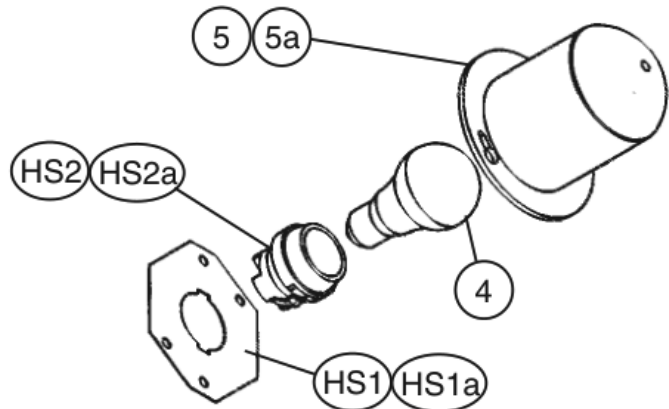


### M-5 and earlier

The santoprene light socket was changed to a porcelain lampholder at N-6. This change is non-interchangeable. If the light socket is not operating on a unit with a santoprene light socket, Hoshizaki recommends replacement with HS-3554.

**Note:**

Parts 4, 5, and 5a are not included in HS-3554; they are shown for reference only.



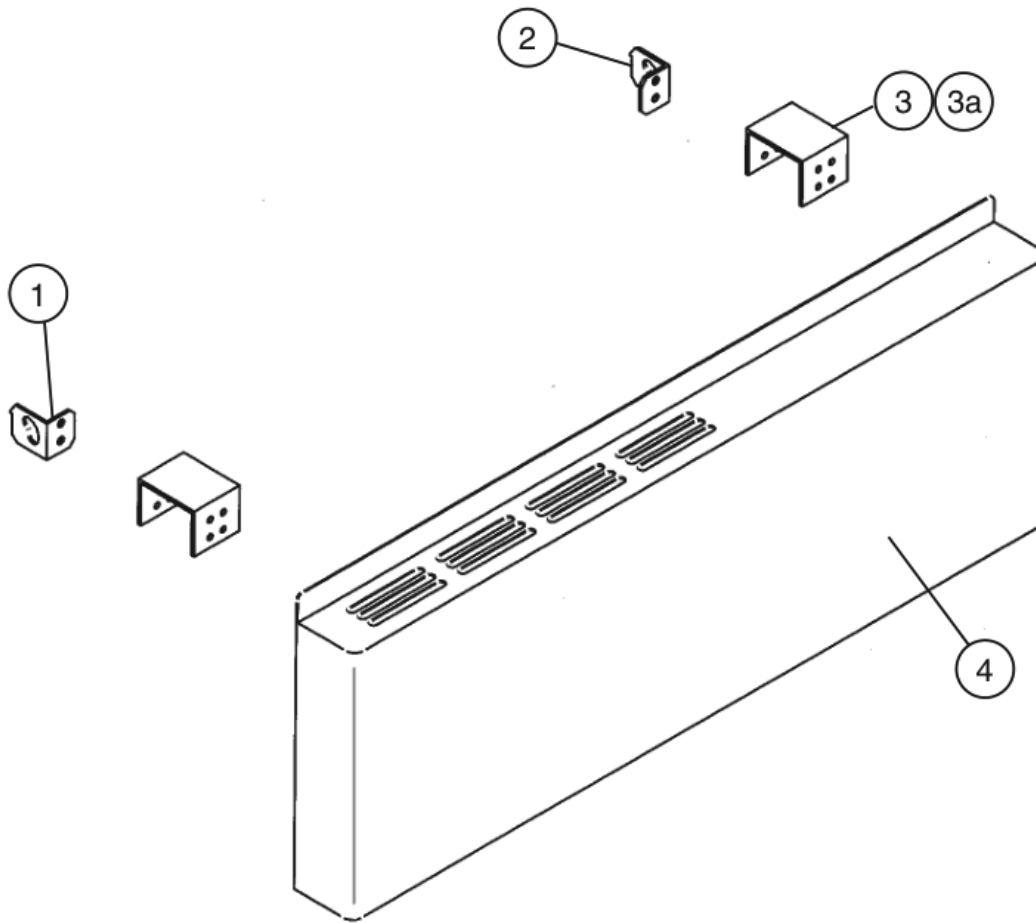
Title: <b>M. Mullion-Vertical</b> Model: <b>RH2-SSB-GD</b>													
Index No.	Description	Material or Model Number	Part Number	Required Number									
				K-0	L-5	M-5	N-6 P-5	Q-5					
1	Mullion – Prefoam	-	<a href="#">2A1288G02</a>	1	1	1	1	1					
2	Pilaster – Mullion	SS	<a href="#">2A0205-01</a>	2	2	-							
			<a href="#">2A0205-02</a>			2	2	-					
			<a href="#">2A3246-01</a>						2				
2a	Truss Head Screw	4x20, SS	<a href="#">7C32-0420</a>	6	6	6	-						
		5x10, SS	<a href="#">7C32-0510</a>				6	6					
3	Insert – Threaded	PS	<a href="#">4A0407-01</a>	6	6	6	6	6					
4	Bulb – Light	40A15	<a href="#">4A0437-01</a>	1	-								
		A-15	<a href="#">4A2420-01</a>		1	1	1	1					
5	Shield – Light	#2778-1010-3000	<a href="#">4A0465-01</a>	1	1	1	1	1					
5a	Cheese Head Screw	5x12, SS	<a href="#">7C52-0512</a>	2	2	2	2	2					
6	Insert – Threaded (Wide)	PS	<a href="#">4A0839-01</a>	Non-interchangeable part change. If light socket is not operating for these codes, Hoshizaki recommends replacement with <a href="#">HS-3554</a> (below).			2	2					
6a	Washer	8, SS	<a href="#">7W22-0800</a>				-						
7	Lampholder	L20-X006	<a href="#">4A2862-01</a>				1	1					
8	Plate – Strike (Front)		<a href="#">4A0355-02</a>					1					
8a	Truss Head Screw	4x8, SS	<a href="#">7C32-0408</a>					1					
9	Plate – Strike (Base)		<a href="#">4A0354-01</a>					1					
9a	T2 Screw	4x8, SS	<a href="#">7P32-0408</a>					2					

HS-3554-Lampholder Conversion Kit												
Index No.	Description	Material or Model Number	Part Number	Required Number								
				M-5 and earlier								
HS1	Plate – Lampholder Mount	SS	<a href="#">4A2880-01</a>	1								
HS1a	Cheese Head Screw	SS	<a href="#">7C52-0512</a>	2								
HS2	Lampholder		<a href="#">4A2862-01</a>	1								
HS2a	Terminal – Flag	DNFR18-250FIBK	<a href="#">8101-18FJ</a>	2								

# N. Panel-Front Hinged Assembly

## RH2-SSB-GD

L-5, M-5, N-6, P-5, Q-5



Title: N. Panel-Front Hinged Assembly Model: RH2-SSB-GD															
Index No.	Description	Material or Model Number	Part Number	Required Number											
				L-5 to Q-5											
1	Hinge – Front Panel (L)	GS	4A2153-01	1											
2	Hinge – Front Panel (R)	GS	4A2154-01	1											
3	Channel – Hinge	GS	4A2170-01	2											
3a	Truss Head Screw	5x8, SS	7C32-0508	4											
4	Panel – Front	SS	1A0624-02	1											

**P. Literature and Packaging**  
**RH2-SSB-GD**  
 K-0, L-5, M-5, N-6, P-5, Q-5

Title: P. Literature and Packaging Model: RH2-SSB-GD											
Index No.	Description	Material or Model Number	Part Number	Required Number							
				K-0 to P-5	Q-5						
1	Instruction Manual	Paper	91A34010M	1	1						
Packaging (Available only for models currently in production)			1A0766A05	1	1						
1	Pallet	-	3A1815-01	1	1						
2	Hex Head Bolt	5/8-11 UNC 2 in.	7B01I5825	4	4						
3	Flat Washer	5/8 USS	7W21I5800	4	4						
4	Stop – Door	-	4A1873-01	2	2						
5	Filler – Door	-	4A2977-01	2	2						
6	Stabilizer – Door	-	4A2171-01	2	2						
7	Protector – Handle	-	3A2597-01	2	2						
8	Post – Corner	-	3A2603-01	4	4						
9	Support – Corner	-	3A2596-01	4	4						
10	Protector – Front	-	3A2595-01	1	1						
11	Pan		4A2081-01	1	-						
			4A3419G01		1						
12	T2 Screws	4x8, SS	7P32-0408	4	4						
13	Bracket (A) Overflow Pan		4A0878-01	1	1						
14	Bracket (B) Overflow Pan		4A0879-01	1	1						
15	Cap – Folding		3A2604-02	1	1						
16	Pad – Corner		3A2598-01	4	4						