

Hoshizaki America, Inc.

Professional Series Refrigerated Kitchen Equipment

Model
RIR1-SSB



“A Superior Degree
of Reliability”

www.hoshizaki.com

PARTS LIST



Number: 71295
Issued: 1-19-2009
Revised: 11-20-2015

CONTENTS

Auxiliary Codes..... 3
Note About Ordering Parts 3
A. Main Assembly 4
B. Refrigeration Circuit..... 6
C. Control Box Assembly 9
D. Door-Right Hinged 10
E. Accessories & Labels 12

Auxiliary Codes

RIR1-SSB

T-5	June 2008
U-5	January 2009
V-5	January 2010
A-5	June 2011
B-5	February 2012
C-5	March 2013
D-5	July 2014
E-5	April 2015
E-6	November 2015
F-5	TBD 2016

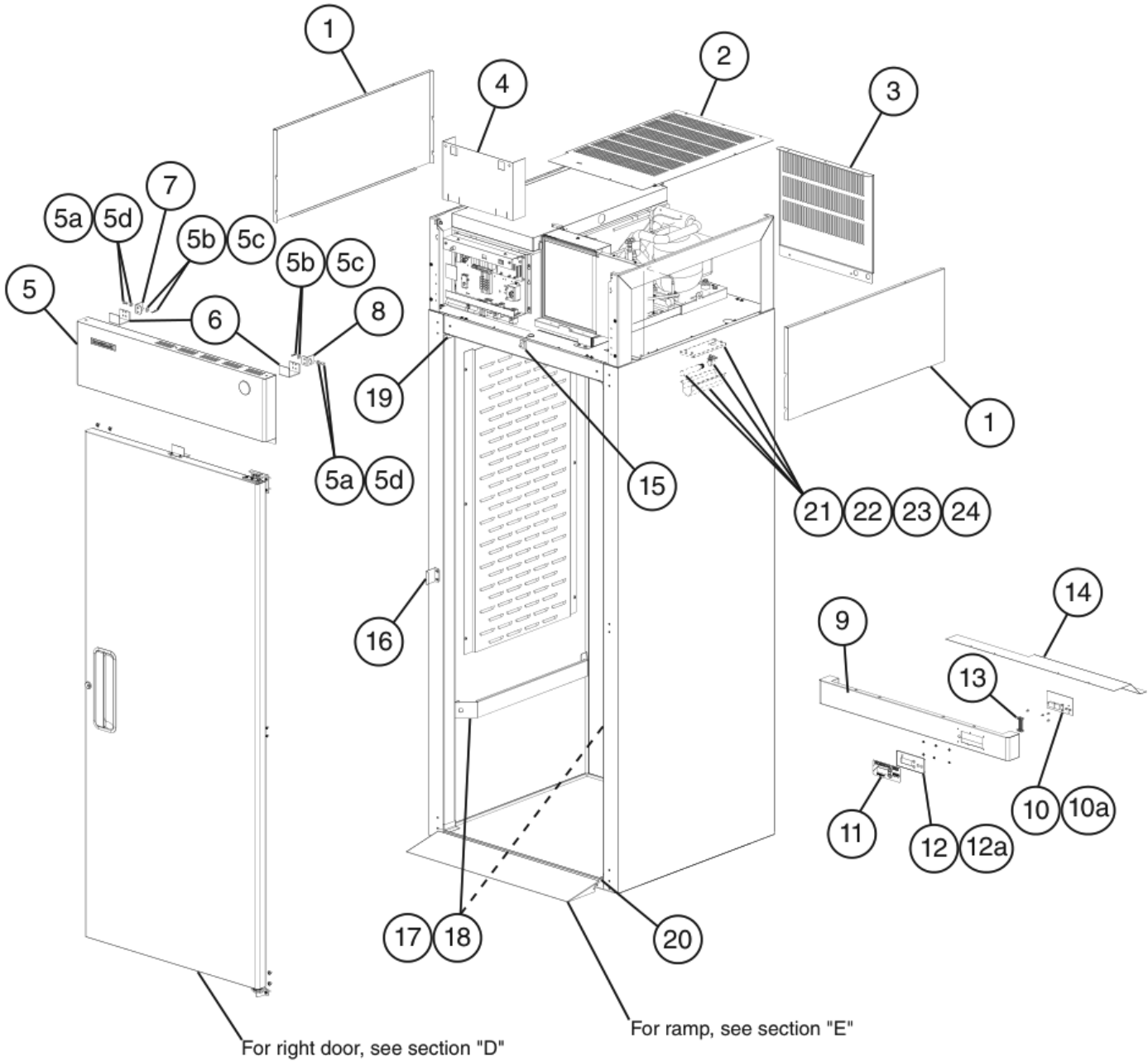
Auxiliary Code Breakdown

The auxiliary code is the first two characters in the serial number. The first character indicates the year. Years progress or regress in alphabetical order. The series runs from "A" through "V" and the letters "I" and "O" are skipped. The second character indicates significant part changes within a year. Base is "5" and this number advances for each change.

Note About Ordering Parts

Most assemblies cannot be ordered as complete units; parts in the assemblies generally must be ordered separately.

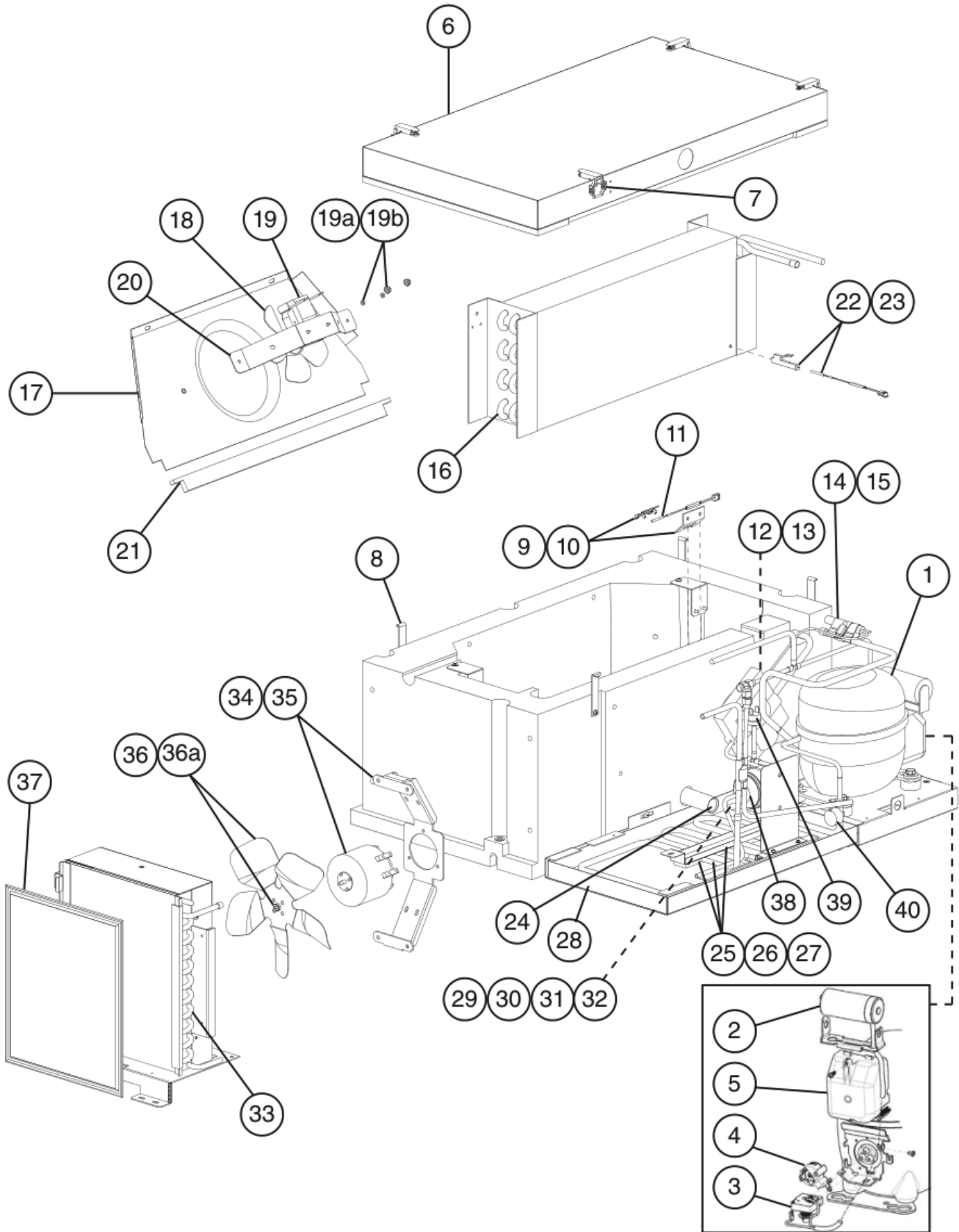
A. Main Assembly
RIR1-SSB
 T-5 to F-5



Title: A. Main Assembly Model: RIR1-SSB

Index No.	Description	Material or Model Number	Part Number	Required Number									
				T-5 (F)	T-5 (K) U-5	V-5 to V-5 (E)	V-5 (F) to F-5						
1	Side Top Panel		2A4488-01	2	2	2	2						
2	Top Cover		2A4489-01	1	1	1	1						
3	Rear Cover		2A4490-01	1	1	1	1						
4	Control Box Cover		2A1031-01	1	1	1	1						
5	Front Panel		1A1482-01	1	1	1	1						
5a	Clevis Pin		8907-0102	2	2	2	2						
5b	Hinge Spacer		4A2473-01	2	2	2	2						
5c	Flat Washer		4A0655-03	2	2	2	2						
5d	Cotter Pin		8907-0103	2	2	2	2						
6	Hinge Channel		4A2170-01	2	2	2	2						
7	Left Front Panel Hinge		4A2153-01	1	1	1	1						
8	Right Front Panel Hinge		4A2154-01	1	1	1	1						
9	Control Panel		2A4494-01	1	1	1	1						
10	Display Board		2A0883-01	1	1	1	1						
10a	Nylon Screw		4A1397-01	4	4	4	4						
11	Display Label		3A2850-01	1	1	-							
			3A5788-01			1	1						
12	Display Board Mount		3A0823-01	1	1	1	1						
12a	Palnut		4A1398-01	6	6	6	6						
13	Ribbon Cable	L=1829 mm	4A1106-03	1	-								
		L=1219 mm	4A1106-02		1	1	1						
14	Wire Cover		2A4495-01	1	1	1	-						
			2A5069-01				1						
15	Door Switch		3A1826-01	1	1	1	1						
16	Strike Plate		4A4590-01	1	1	1	1						
17	Left Rack Guide		3A4706-01	1	1	1	1						
18	Right Rack Guide		3A4707-01	1	1	1	1						
19	Top Corner Cover		3A1751-01	2	2	2	2						
20	Bottom Shaved Corner Cover		3A4731G01	2	2	2	2						
21	Light Plate		3A4732-01	1	1	1	1						
22	Light Socket		4A4443-01	1	1	1	1						
23	Light Bulb		4A4444-01	1	1	1	1						
24	Light Cover		3A4733-01	1	1	1	1						

B. Refrigeration Circuit
RIR1-SSB
T-5 to F-5

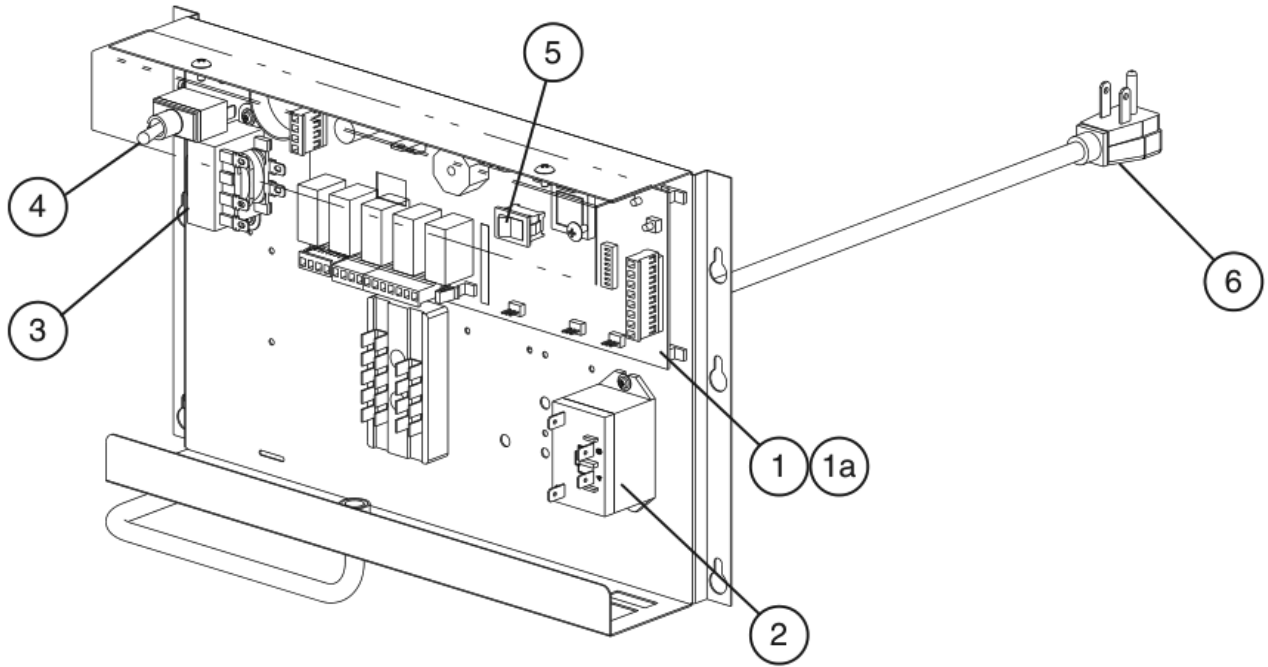


Title: B. Refrigeration Circuit Model: RIR1-SSB										
Index No.	Description	Material or Model Number	Part Number	Required Number						
				T-5 to U-5	V-5 to A-5	B-5 to E-5	E-6 F-5			
1	Compressor		2A1260-01	1	1	1	-			
			4A2343-01				1			
2	Start Capacitor		3A4044-01	1	1	1	-			
			4A5553-01				1			
3	Start Relay		3A4044-12	1	1	1	-			
			4A5552-01				1			
4	External Protector		4A1875-02	1	1	1	-			
			4A5554-01				1			
5	Compressor Cover		3A4044-05	1	1	1	-			
			4A5551-01				1			
6	Evaporator Case Cover (includes item 7)		2A4376G01	1	1	1	1			
7	Draw-Latch		4A3988-01	4	4	4	4			
8	Catch-Latch		4A3987-01	4	4	4	4			
9	Cabinet Thermistor Mount Bracket		433964-01	1	1	1	1			
10	Cabinet Thermistor Clip Bracket		433920-01	1	1	1	1			
11	Cabinet Thermistor		4A1429-01	1	1	1	1			
12	Thermostatic Expansion Valve		4A1594-01	1	1	1	1			
13	Thermostatic Expansion Valve Cover		4A4646-01	1	1	1	1			
14	Thermostatic Expansion Valve Bulb Holder		3A0107-01	1	1	1	1			
15	Clamp		443461-01	1	1	1	1			
16	Evaporator		2A1262-01	1	1	1	1			
17	Evaporator Fan Shroud		2A0846-01	1	1	-				
			3A6850G01				1	1		
18	Evaporator Fan Blade		4A2378-01	1	1	-				
			4A5438-01				1	1		
19	Evaporator Fan Motor		4A2563-01	1	1	-				
			4A4942-01				1	1		
19a	Hex Nut	M4	7N12-0400	4	4	-				
		8-32 UNC	7N0210832				2	2		
19b	Split Lock Washer		7L22-0400	4	4	-				
			7L2210832				2	2		
20	Evaporator Fan Motor Bracket		3A2501-01	2	2	-				
			3A6849-01				1	1		
21	Gasket	L=522 mm	4A0414L03		1	1	1			
22	Thermistor Clip		320418-01	1	1	1	1			
23	Defrost Thermistor	L=2300 mm	4A1428-01	1	1	1	1			
24	Evaporator Drain Pipe		4A0831-01	1	1	1	1			
25	Condensate Coil		3A1644-01	1	1	1	1			
26	Condensate Coil Strap		3A0232-03	1	1	1	1			
27	Condenser Coil Gasket		4A0455-03	1	1	1	1			

Title: B. Refrigeration Circuit Model: RIR1-SSB

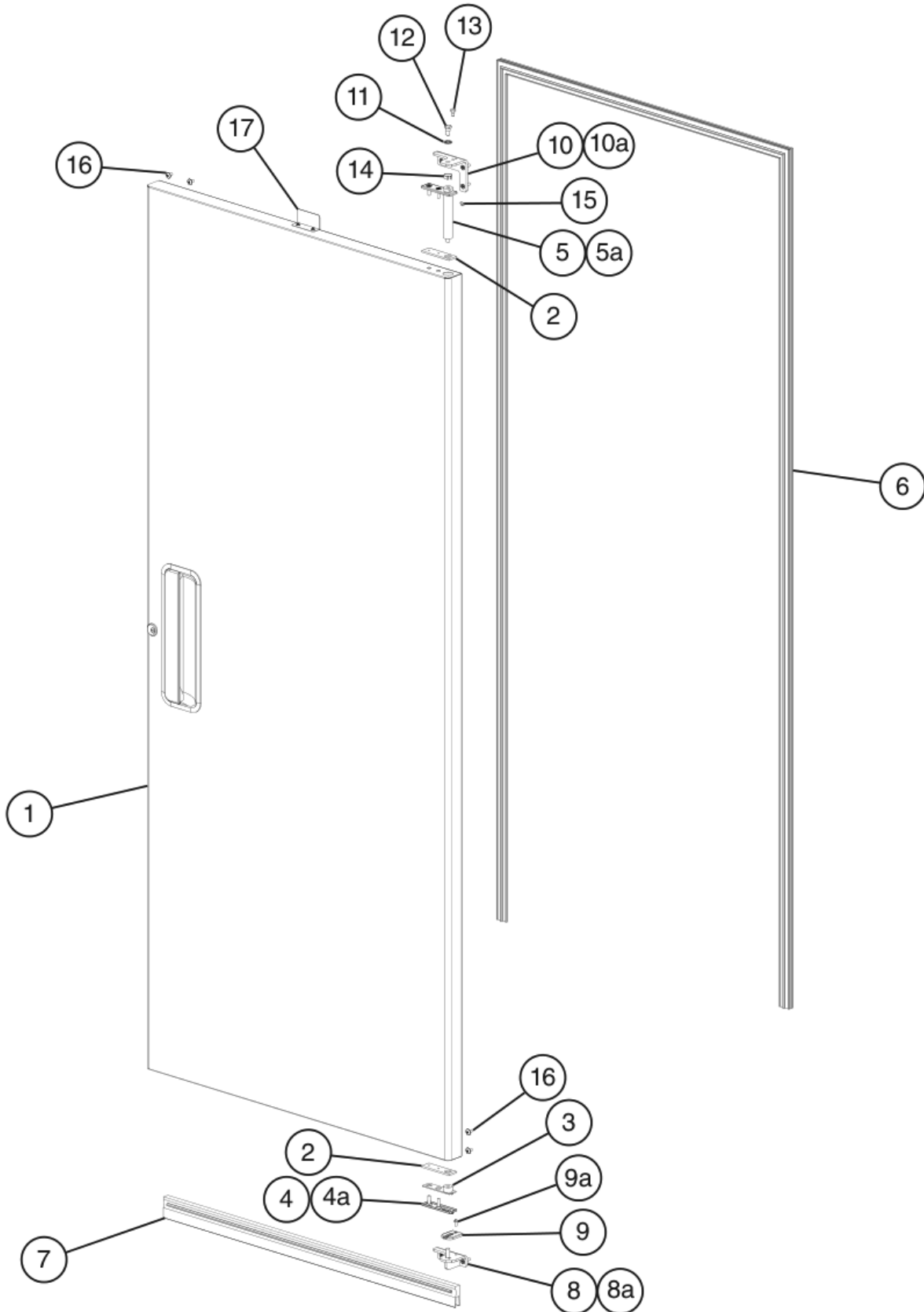
Index No.	Description	Material or Model Number	Part Number	Required Number								
				T-5 to U-5	V-5 to A-5	B-5 to E-5	E-6 F-5					
28	Evaporator Drain Pan		2A2760-01	1	1	-						
			2A2760-02			1	1					
29	Drain Overflow Fitting		4A2182-01	1	1	-						
30	Rubber Gasket		413854-03	1	1	-						
31	Silicone Hose	L=300 mm	773013812	1	1	-						
32	Tubing Elbow		4A0711-01	1	1	-						
33	Condenser		2A0623-01	1	1	1	1					
34	Condenser Fan Motor (includes mounting screws)		4A0815-01	1	1	1	1					
35	Condenser Fan Motor Bracket		3A1564-01	1	1	1	1					
36	Condenser Fan Blade		3A0436-01	1	1	1	1					
36a	Hex Nut		4A1345-01	1	1	1	1					
37	Condenser Filter		3A0277-01	1	1	1	1					
38	Drier		4A0924-01	1	1	1	1					
39	High-Pressure Switch		4A2516-02	1	1	1	1					
40	Clogged Filter Thermostat		4A0484-01	1	1	1	1					

C. Control Box Assembly
RIR1-SSB
 T-5 to F-5



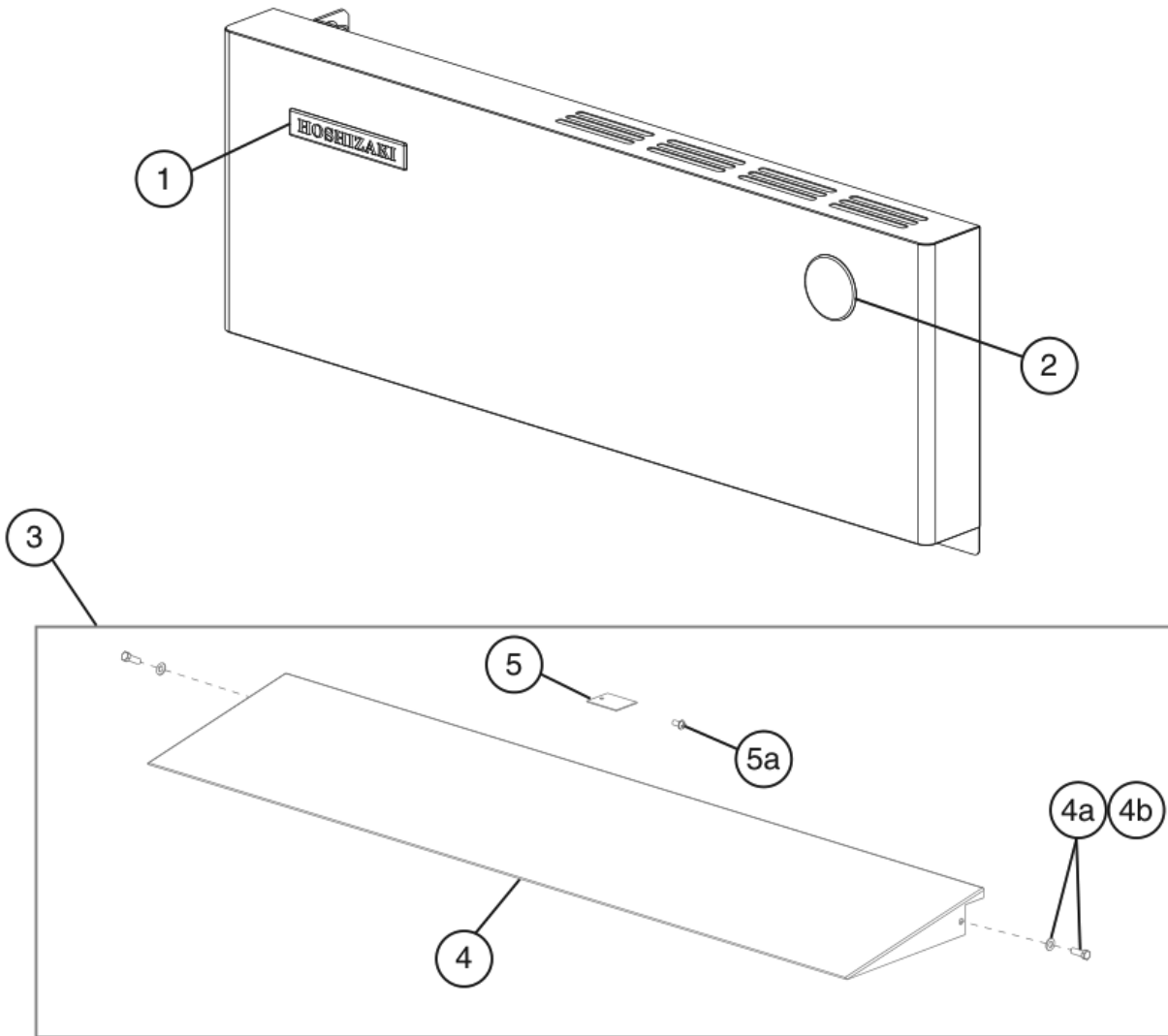
Title: C. Control Box Assembly		Model: RIR1-SSB		Required Number						
Index No.	Description	Material or Model Number	Part Number	T-5 to C-5 (B)	C-5 (C) to F-5					
				1	Control Board		2A2862-24	1	1	
1a	Control Board Support		4A0336-03	6	6					
2	Compressor Relay		4A1307-01	1	-					
			4A3140-01		1					
3	Control Transformer		3A1759-01	1	1					
4	Power Switch		4A0424-01	1	1					
5	Perimeter Heater Switch		4A0418-01	1	1					
6	Power Supply Cord		4A0520-01	1	1					

D. Door-Right Hinged
RIR1-SSB
T-5 to F-5



Title: D. Door-Right Hinged Model: Full Solid: RIR1-SSB											
Index No.	Description	Material or Model Number	Part Number	T-5 to F-5	Required Number						
1	Door Assembly (includes items 2 through 7)		1A1624G01	1							
2	Foam Pad		4A2257-01	2							
3	Right Hinge Bottom Bushing		4A0439-01	1							
4	Right Male Hinge Bottom Plate		4A0440-01	1							
4a	Countersunk Screw	5x20, SS	7C42-0520	2							
5	Right Hinge Spring Cartridge		4A0438-01	1							
5a	Countersunk Screw	5x20, SS	7C42-0520	2							
6	Three-Sided Door Gasket		2A4482-01	1							
7	Sweep Gasket		3A4704-01	1							
8	Lower Right (LR) Door Hinge Bracket		3A5132G01	1							
8a	Countersunk Screw	5x20, SS	7C42-0520	2							
9	Right Female Hinge Bottom Plate		4A0441-01	1							
9a	Stop Plate Screw		4A0483-01	1							
10	Upper Right (UR) Door Hinge Bracket		3A1580-01	1							
10a	Countersunk Screw	5x20, SS	7C42-0520	3							
11	Hinge Lock Washer		4A0553-01	1							
12	Hinge Pivot Pin		4A2179-01	1							
13	Hinge Stop Pin		4A2180-01	1							
14	Hinge Bushing Cover		4A0445-01	1							
15	Hinge Tension Screw		4A0446-01	1							
16	Truss Head Screw (fill screws)	5x10, SS	7C32-0510	9							
17	Door Switch Bracket		4A4430-01	1							

E. Accessories & Labels
RIR1-SSB
 T-5 to F-5



Title: E. Accessories & Labels Model: RIR1-SSB					Required Number								
Index No.	Description	Material or Model Number	Part Number	T-5 to F-5									
1	Emblem		4A0560-01	1									
2	Penguin Label		456246-02	1									
3	Ramp Group (includes items 4 through 6)		2A4499A01	1									
4	Ramp		2A4832-01	1									
4a	Hex Bolt		7B0115874	2									
4b	Flat Washer		7W2115800	2									
5	Ramp Filler Bracket		4A4591-01	1									
5a	T2 Screw	4x8	7P32-0408	1									