



HOSHIZAKI

Parts List

Glass Door Merchandiser

Model

RM-10-HC

hoshizakiamerica.com

Number: RM-10-HC
Issued: 07-27-2018
Revised: 02-02-2024

TABLE OF CONTENTS

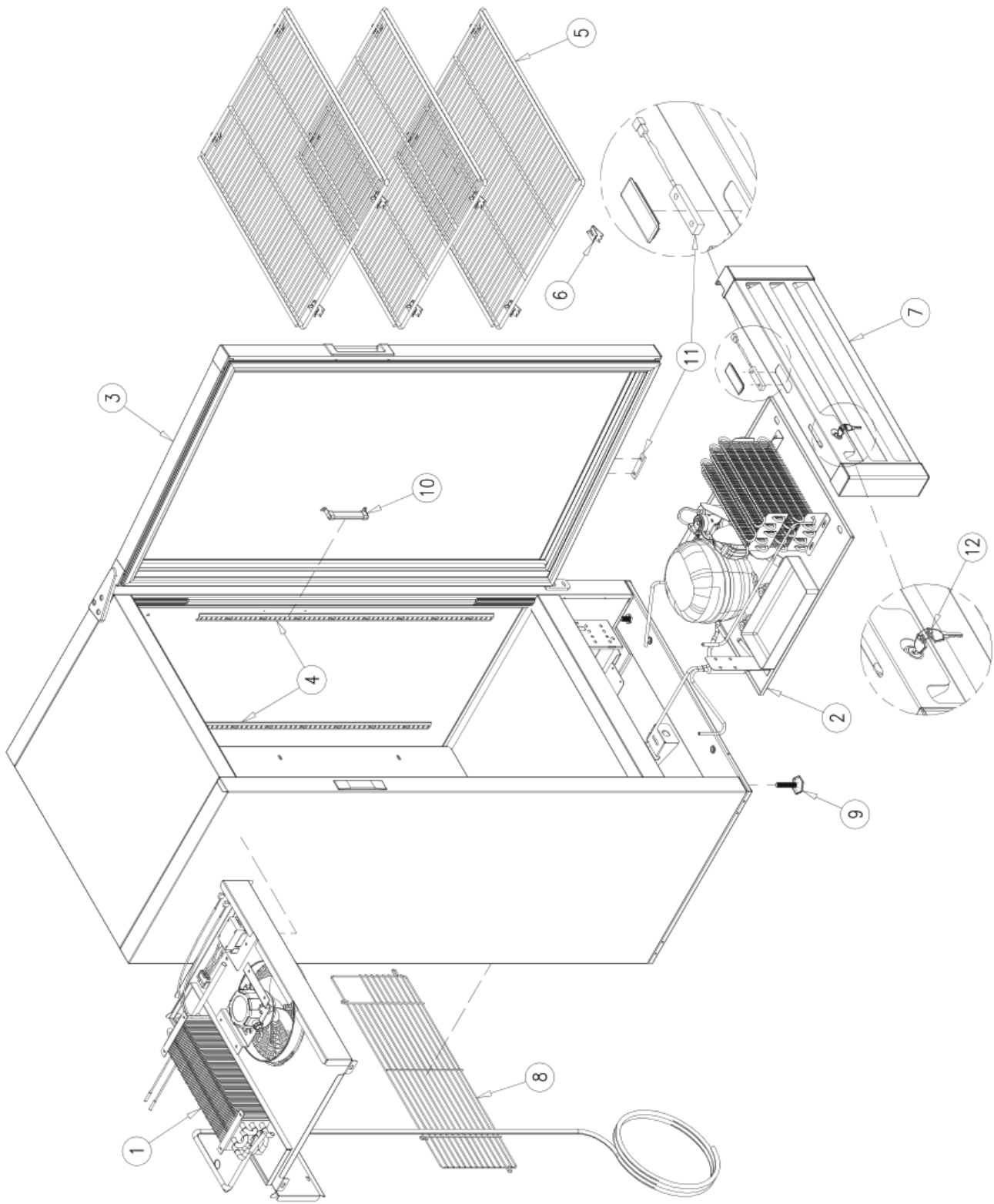
MAIN ASSEMBLY	3
EVAPORATOR ASSEMBLY	5
CONDENSING UNIT ASSEMBLY	7
DOOR ASSEMBLY	9
LIGHTING SYSTEM.....	11
FRONT GRILL ASSEMBLY	13

NOTE:

To order spare parts, always include the following information:

- *Model Number* _____
- *Serial Number* _____

MAIN ASSEMBLY



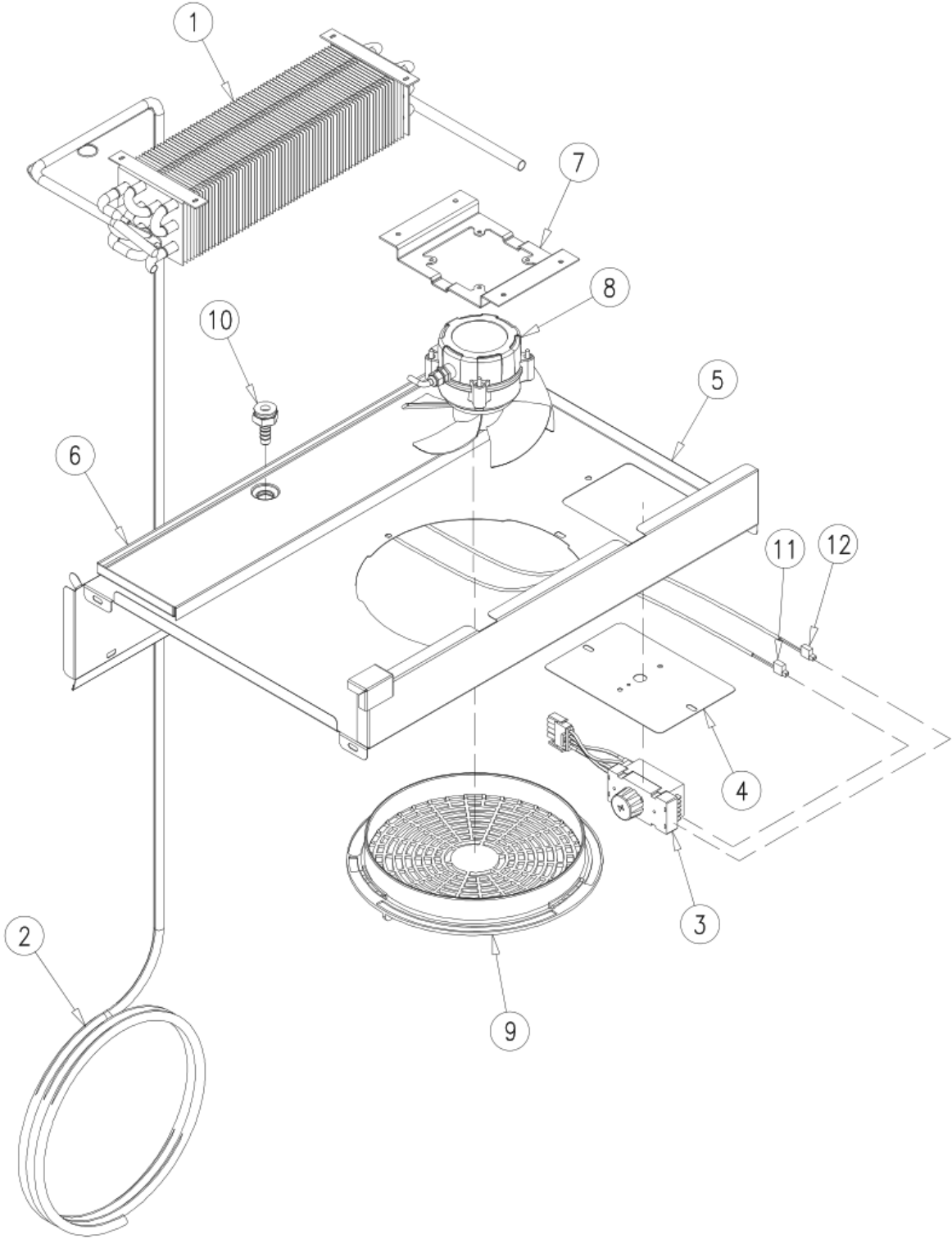
MAIN ASSEMBLY

<i>Item No.</i>	<i>Description</i>	<i>Part No.</i>	<i>Quantity per cooler</i>
1	EVAPORATOR ASSEMBLY	OT-EV-0153	1
2	CONDENSING UNIT ASSEMBLY	OT-UN-0261	1
3	DOOR ASSEMBLY	OT-PT-0631*	1
4	PILASTER 30"	PI-73	4
5	FLAT SHELF	SH-0503-HD-FE	3
6	SHELF CLIPS	CL-51-SS-E	12
7	FRONT GRILL	OT-CM-0519*	1
8	BACK GRILL	SH-0504-G-GR	1
9	LEGS	LG-27	4
10	THERMOMETER	TH-1-E	1
11	DOOR SWITCH	EL-306	1
12	LOCK AND KEY SET	HA-471-G-K	1

***Parts Change With Serial Number Break**

ITEM No.	Description	Interchange-able	Previous Component	Hoshizaki Last Serial Number and Earlier	Current Component	Hoshizaki First Serial Number and Later
3	DOOR ASSEMBLY	YES	OT-PT-0571	K-00852 (H)	OT-PT-0631	L-00254 (E)
7	FRONT GRILL	YES	OT-CM-0346	K-00852 (H)	OT-CM-0519	L-00254 (E)

EVAPORATOR ASSEMBLY



EVAPORATOR ASSEMBLY

<i>Item No.</i>	<i>Description</i>	<i>Part No.</i>	<i>Quantity per cooler</i>
1	EVAPORATOR	CO-325	1
2	HEAT EXCHANGER	TUB-1046	1
3	CONTROL MODULE	CT-198-CO-324 (K) **	1
4	CONTROL MODULE BRACKET	OT-20868	1
5	SHROUD	OT-26897 *	1
6	DRAIN PAN	OT-20512	1
7	EVAPORATOR FAN MOTOR BRACKET	OT-20824	1
8	EVAPORATOR FAN MOTOR & BLADE	FA-85	1
9	FAN GUARD	FA-123-B *	1
10	DRAIN FITTING	DR-1-P	1
11	CABINET THERMISTOR	CT-180-3-CO *	1
12	DEFROST THERMISTOR	CT-180-4-CO *	1

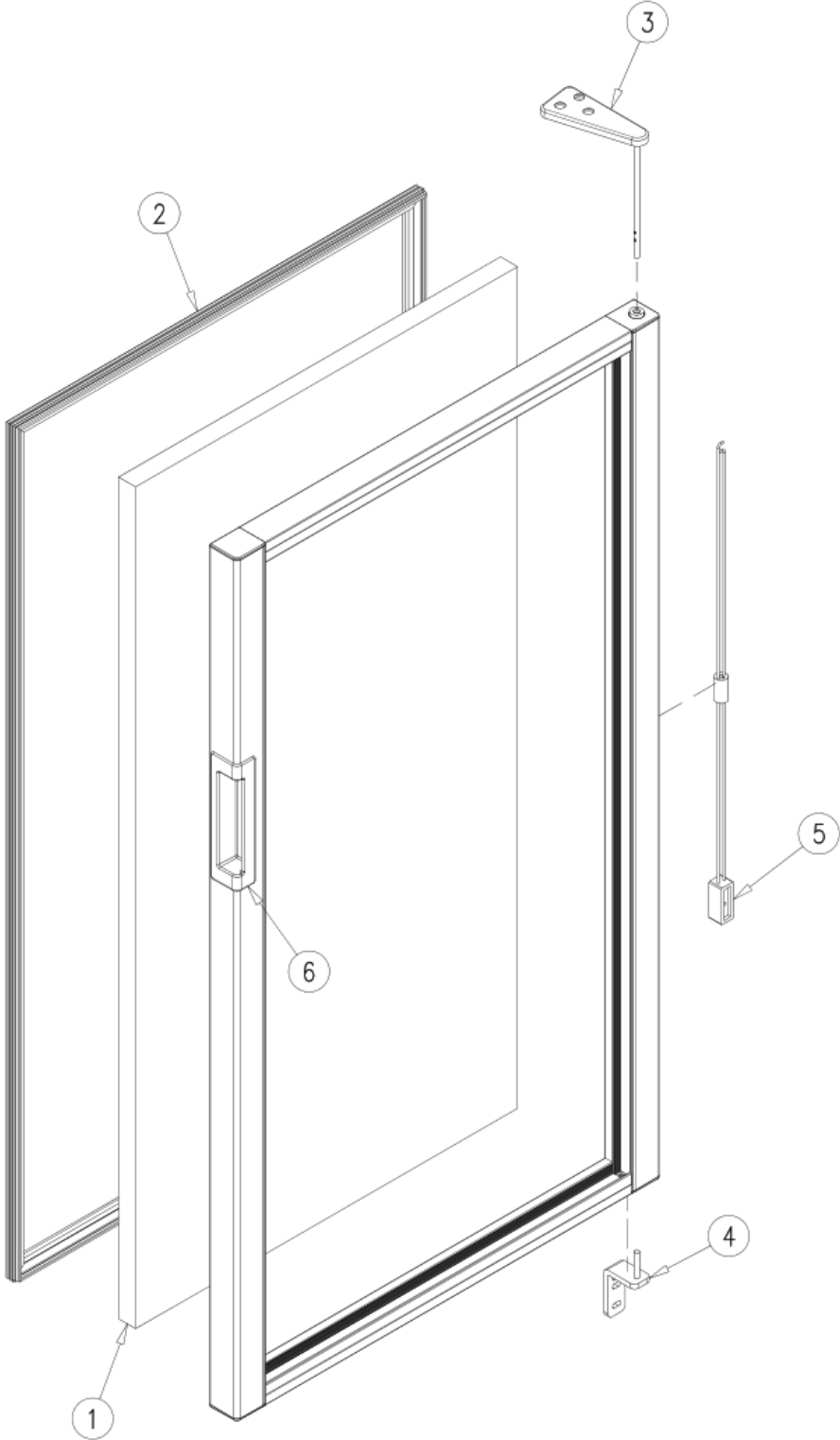
** THE PART NUMBER CT-198-CO-324 (K) INCLUDES:
 CONTROL MODULE CT-198-CO-324
 CONTROL MODULE HARNESS [OT-AR-5583](#)
 CABINET THERMISTOR [CT-180-3-CO](#)
 DEFROST THERMISTOR [CT-180-4-CO](#)
 DOOR SWITCH HARNESS [OT-AR-3448](#)

*Parts Change With Serial Number Break						
ITEM No.	Description	Inter-changeable	Previous Component	Hoshizaki Last Serial Number and Earlier	Current Component	Hoshizaki First Serial Number and Later
3	CONTROL MODULE	YES	CT-198-SOL-138	M-01145(G)	CT-198-CO-324	N-00001(M)
	CONTROL MODULE	YES	CT-194-SOL-078	L-02681(H)	CT-198-SOL-138	M-01122(A)
5	SHROUD	NO	OT-22485	M-01145(G)	OT-26897	N-00001(M)
9	FAN GUARD	NO	FA-62	M-01145(G)	FA-123-B	N-00001(M)
11	CABINET THERMISTOR	NO	CT-196-2-SOL	M-01145(G)	CT-180-3-CO	N-00001(M)
12	DEFROST THERMISTOR	NO	CT-196-2-SOL	M-01145(G)	CT-180-4-CO	N-00001(M)

CONDENSING UNIT ASSEMBLY

<i>Item No.</i>	<i>Description</i>	<i>Part No.</i>	<i>Quantity per cooler</i>
1	COMPRESSOR (1/5HP 115V/60HZ R-290)	NUY45NRb	1
2	EXTERNAL PROTECTOR (T0269)	EL-2123-R	1
3	PTC RELAY (2014 145)	EL-2124-R	1
4	ELECTRICAL BOX	EL-2125-R	1
5	START CAPACITOR (125 μ F 160V)	CAP-125-160	1
6	RUN CAPACITOR (10 μ F 250V)	CAP-10-250	1
7	CONDENSER	CO-459	1
8	CONDENSER FAN MOTOR & BLADE	OT-FA-86-0396	1
9	CONDENSER FAN MOTOR BRACKET	FA-82	1
10	DRIER	DR-31	1
11	DRAIN PAN	OT-TF-0605	1
12	POWER CORD (9 ft)	OT-EL-1265-9-4784	1

DOOR ASSEMBLY



DOOR ASSEMBLY

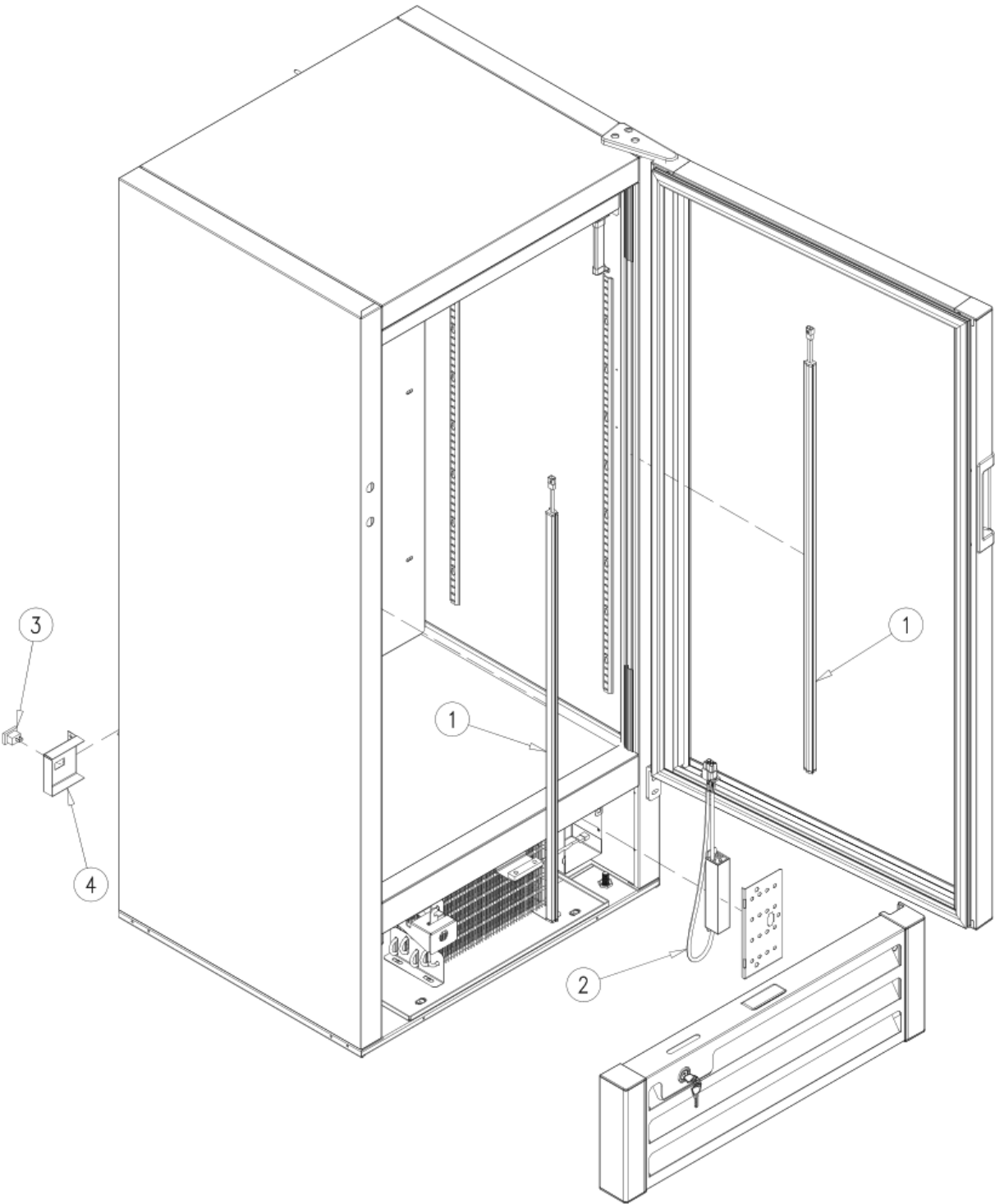
<i>Item No.</i>	<i>Description</i>	<i>Part No.</i>	<i>Quantity per cooler</i>
1	GLASS PANE	GL-721-AD-EA	1
2	MAGNETIC GASKET	OT-GA-900-PT-0631	1
3	UPPER HINGE ASSEMBLY	HA-496-R-K	1
4	LOWER HINGE ASSEMBLY	HA-535-R-K	1
5	TORSION MECHANISM	HA-479	1
6	DOOR HANDLE	HA-632-K*	1

NOTE:

NOT REVERSIBLE DOOR

*Parts Change With Serial Number Break						
ITEM No.	Description	Interchangeable	Previous Component	Hoshizaki Last Serial Number and Earlier	Current Component	Hoshizaki First Serial Number and Later
6	DOOR HANDLE	NO	HA-627-K	K-00852 (H)	HA-632-K	L-00254 (E)

LIGHTING SYSTEM



LIGHTING SYSTEM

<i>Item No.</i>	<i>Description</i>	<i>Part No.</i>	<i>Quantity per cooler</i>
1	LED LAMP STRIP (29 1/2")	EL-147	2
2	LED DRIVER (1.25 Amp.)	OT-EL-151-T	1
3	LIGHT SWITCH	EL-305	1
4	LIGHT SWITCH BRACKET	OT-20877	1