



HOSHIZAKI

Parts List

Glass Door Merchandiser

Model

RM-10

hoshizakiamerica.com

Number: RM-10
Issued: 02-22-2017
Revised: 05-07-2024



TABLE OF CONTENTS

	<i>Page</i>
EXPLODED VIEW	3, 4
REFRIGERATION SYSTEM	5, 6
CONDENSING UNIT ASSEMBLY AND ITS COMPONENTS	7, 8
SWING DOOR ASSEMBLY AND ITS COMPONENTS	9, 10
INTERIOR LIGHTING SYSTEM	11, 12
FRONT GRILL ASSEMBLY	13, 14

NOTE:

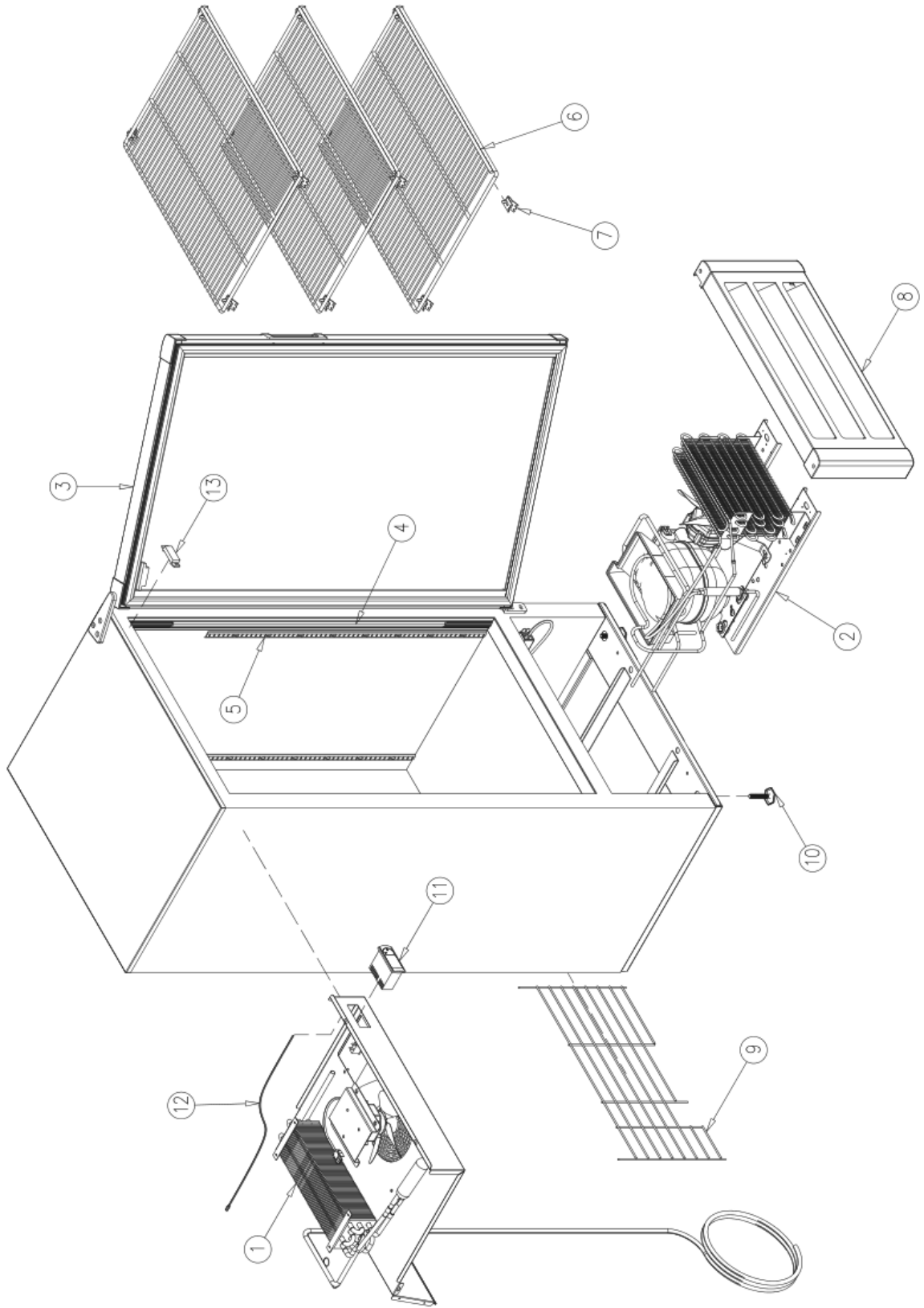
To order spare parts, always include the following information:

- *Model Number* _____
- *Serial Number* _____



HOSHIZAKI

EXPLODED VIEW



RM-10

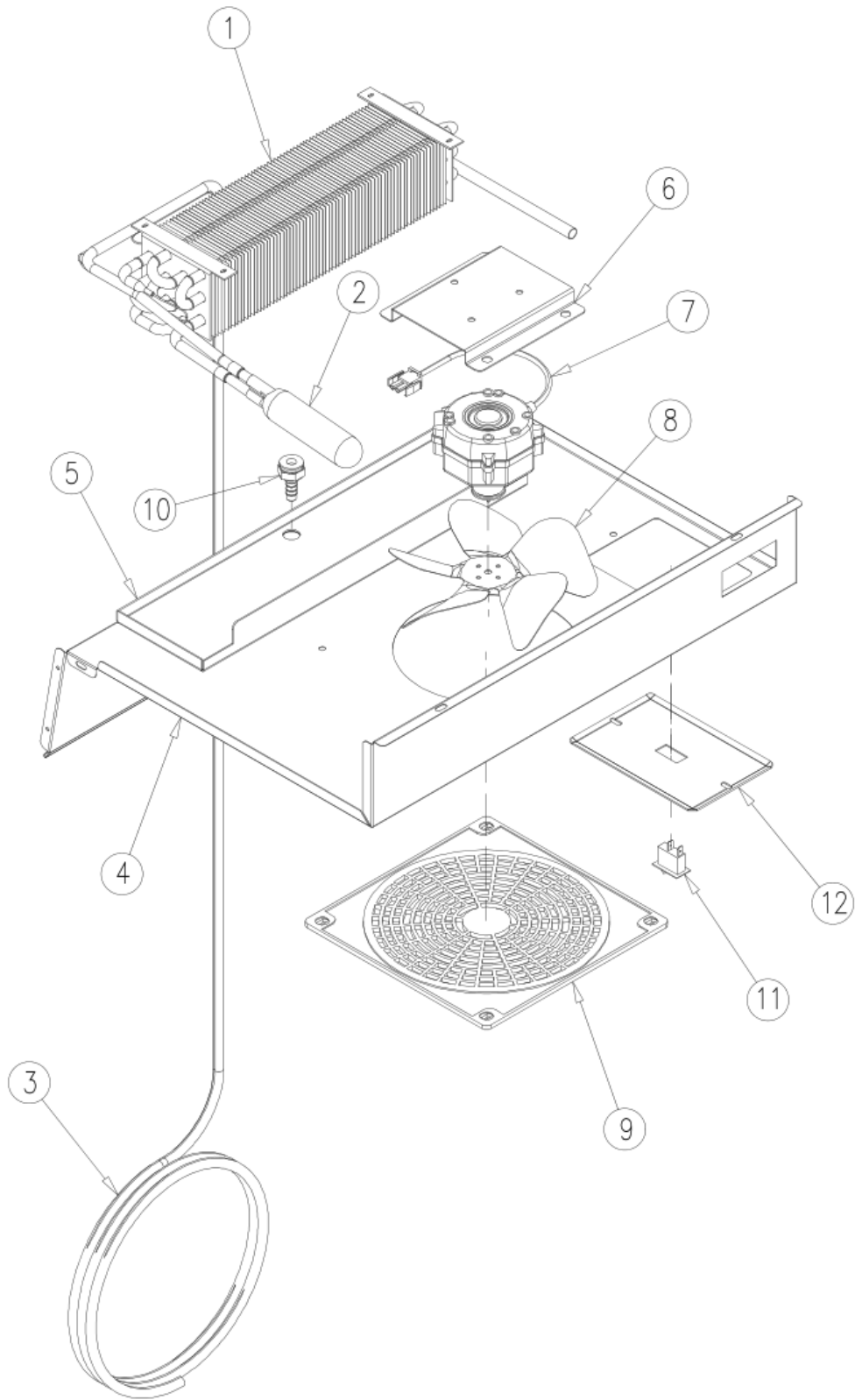


EXPLODED VIEW

<i>Item No.</i>	<i>Description</i>	<i>Part No.</i>	<i>Quantity per cooler</i>
1	REFRIGERATION SYSTEM	See pages 5 & 6	
2	COMPLETE 1/5HP 115V/60HZ CONDENSING UNIT	EMY70HER-R	1
3	COMPLETE DOOR	OT-PT-0444	1
4	INTERIOR LIGHTING SYSTEM	See pages 11 & 12	
5	PILASTER 30"	PI-73	4
6	FLAT SHELF	SH-0078-4-HD-FE	3
7	SHELF CLIPS	CL-51-SS-E	12
8	FRONT GRILL	EN-2334	1
9	BACK GRILL	SH-0173-G-B	1
10	LEVELING LEGS	LG-27	4
11	ENERGY SAVING ELECTRONIC THERMOSTAT	CT-185-CA	1
12	AMBIENT SENSOR	CT-185-1-CA	1
13	MAGNETIC SWITCH	EL-360	1



REFRIGERATION SYSTEM





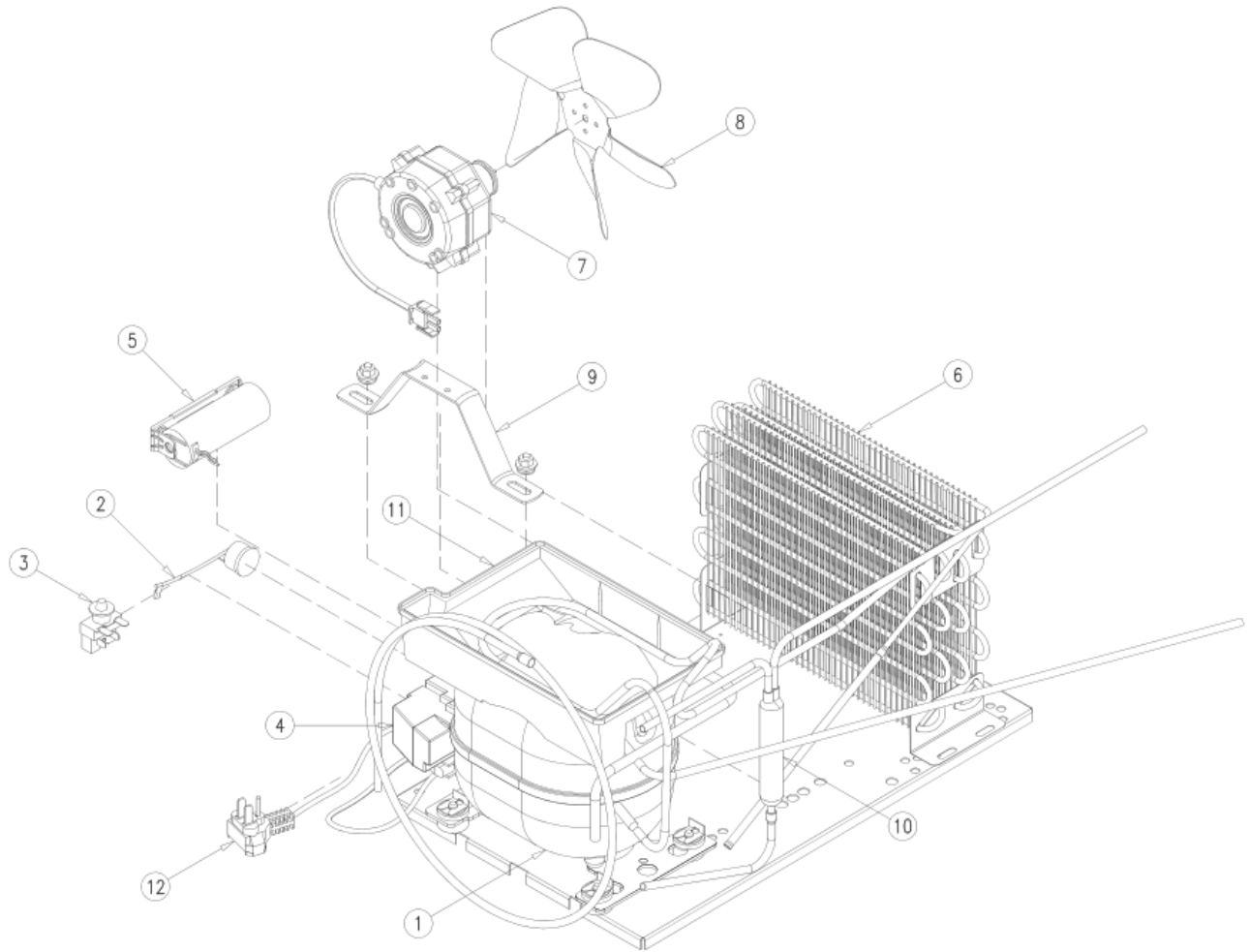
REFRIGERATION SYSTEM

<i>Item No.</i>	<i>Description</i>	<i>Part No.</i>	<i>Quantity per cooler</i>
1	EVAPORATOR	CO-325	1
2	ACCUMULATOR	DR-19-C	1
3	HEAT EXCHANGER	TUB-1129	1
4	BAFFLE	OT-19439	1
5	EVAPORATOR PAN	OT-8776	1
6	EVAPORATOR FAN MOTOR BRACKET	OT-8916	1
7	EVAPORATOR FAN MOTOR	FA-70-VU	1
8	EVAPORATOR FAN BLADE	FA-2-EBM	1
9	FAN GUARD	FA-62	1
10	PLASTIC DRAIN	DR-1-P	1
11	LIGHT SWITCH	EL-305	1
12	SWITCH BRACKET	OT-9981	1



HOSHIZAKI

CONDENSING UNIT ASSEMBLY AND ITS COMPONENTS





HOSHIZAKI

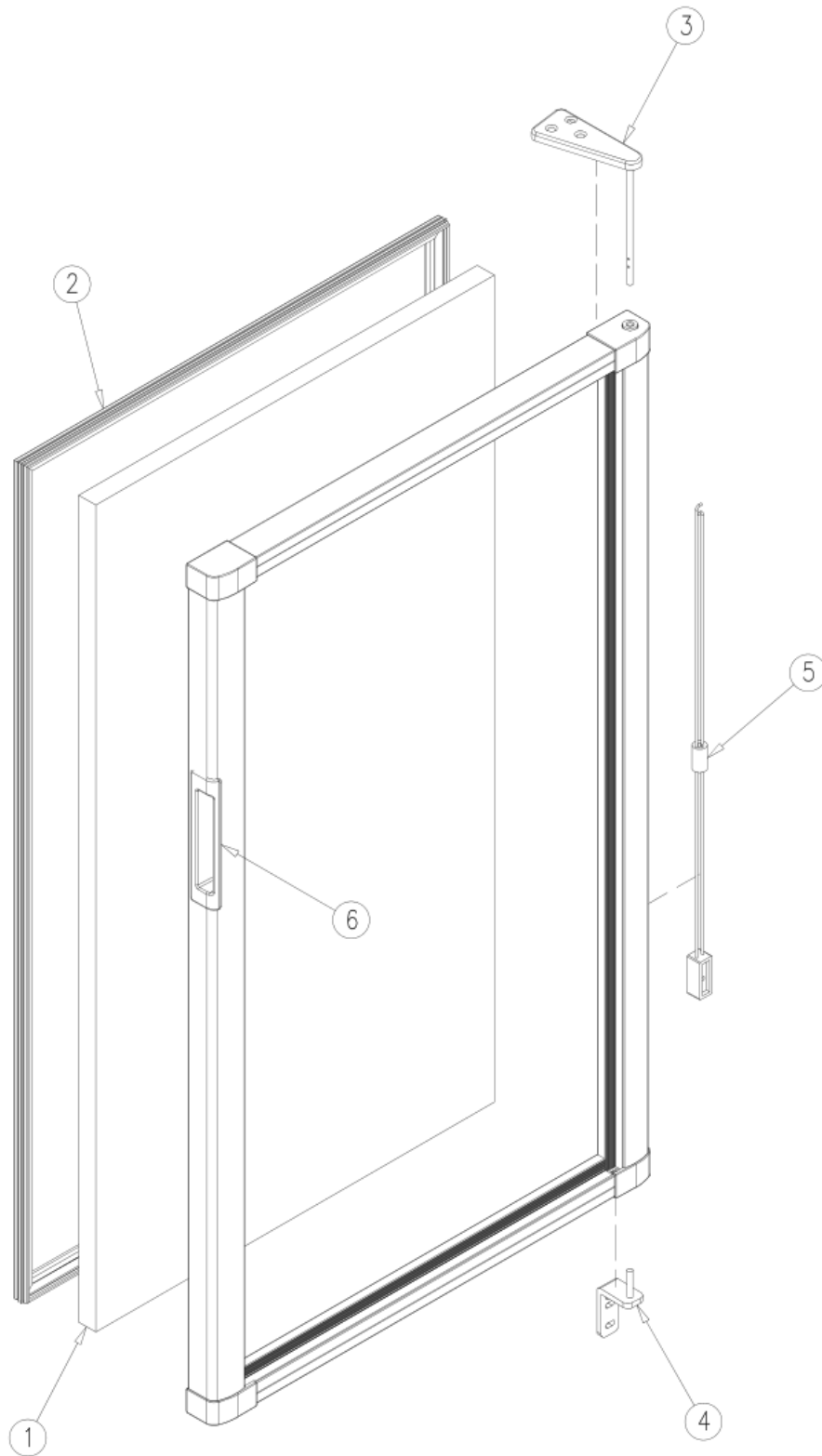
CONDENSING UNIT ASSEMBLY AND ITS COMPONENTS

<i>Item No.</i>	<i>Description</i>	<i>Part No.</i>	<i>Quantity per cooler</i>
1	1/5HP 115V/60HZ COMPRESSOR	EMY70HER	1
2	4TM762MFBZZ-53 OVERLOAD PROTECTOR	EL-1989-R	1
3	21351500-7 RELAY	EL-1990-R	1
4	ELECTRICAL BOX	EL-1957-R	1
5	270-324 μ F 150V START CAPACITOR	CAP-270-324	1
6	CONDENSER	CO-452	1
7	CONDENSER FAN MOTOR	FA-70-VU	1
8	CONDENSER FAN BLADE	FA-2-EBM	1
9	CONDENSER FAN MOTOR BRACKET	FA-39	1
10	DRIER	DR-31-P	1
11	COMPRESSOR EVAPORATION TRAY	DP-4	1
12	POWER CORD	EL-1265-9	1



HOSHIZAKI

SWING DOOR ASSEMBLY AND ITS COMPONENTS





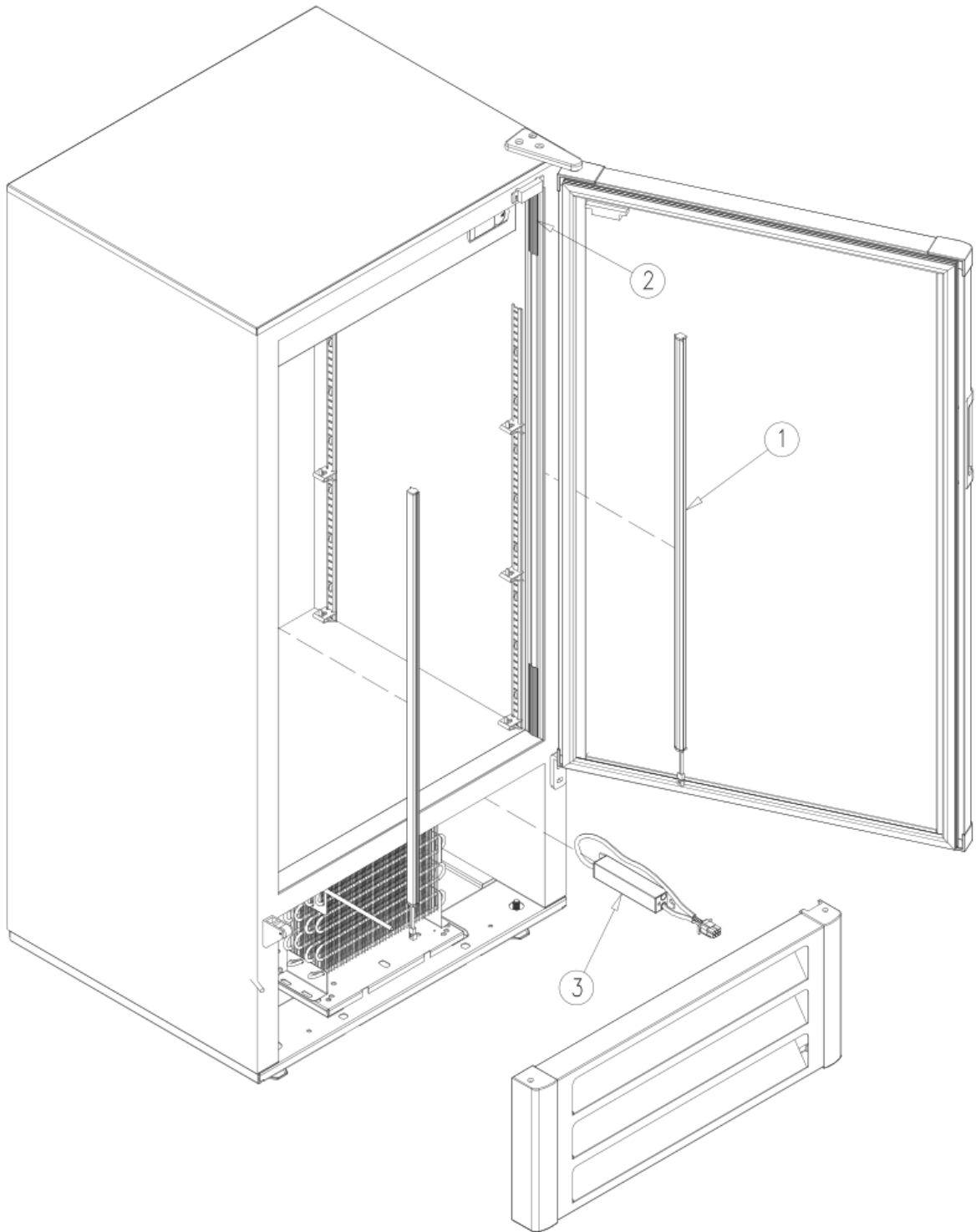
HOSHIZAKI

SWING DOOR ASSEMBLY AND ITS COMPONENTS

<i>Item No.</i>	<i>Description</i>	<i>Part No.</i>	<i>Quantity per cooler</i>
1	GLASS PANE	GL-713-AD-E	1
2	MAGNETIC GASKET	OT-GA-900-PT-0444	1
3	UPPER HINGE ASSEMBLY	HA-496-R	1
4	LOWER HINGE ASSEMBLY	HA-535-R	1
5	TORSION MECHANISM	HA-479	1
6	DOOR HANDLE	OT-HA-627	1



INTERIOR LIGHTING SYSTEM





HOSHIZAKI

INTERIOR LIGHTING SYSTEM

<i>Item No.</i>	<i>Description</i>	<i>Part No.</i>	<i>Quantity per cooler</i>
1	29 1/2" LED LAMP STRIP	EL-147	2
2	5 7/8" LED PROFILE COVER	OT-BR-253-57-5.875	4
3	1.25 Amp. LED POWER SUPPLY	OT-EL-151-T	1