



HOSHIZAKI

Parts List

Glass Door Merchandiser

Model

RM-26-HC

RM-26-HC-WH

RM-26-HC-BLK

TABLE OF CONTENTS

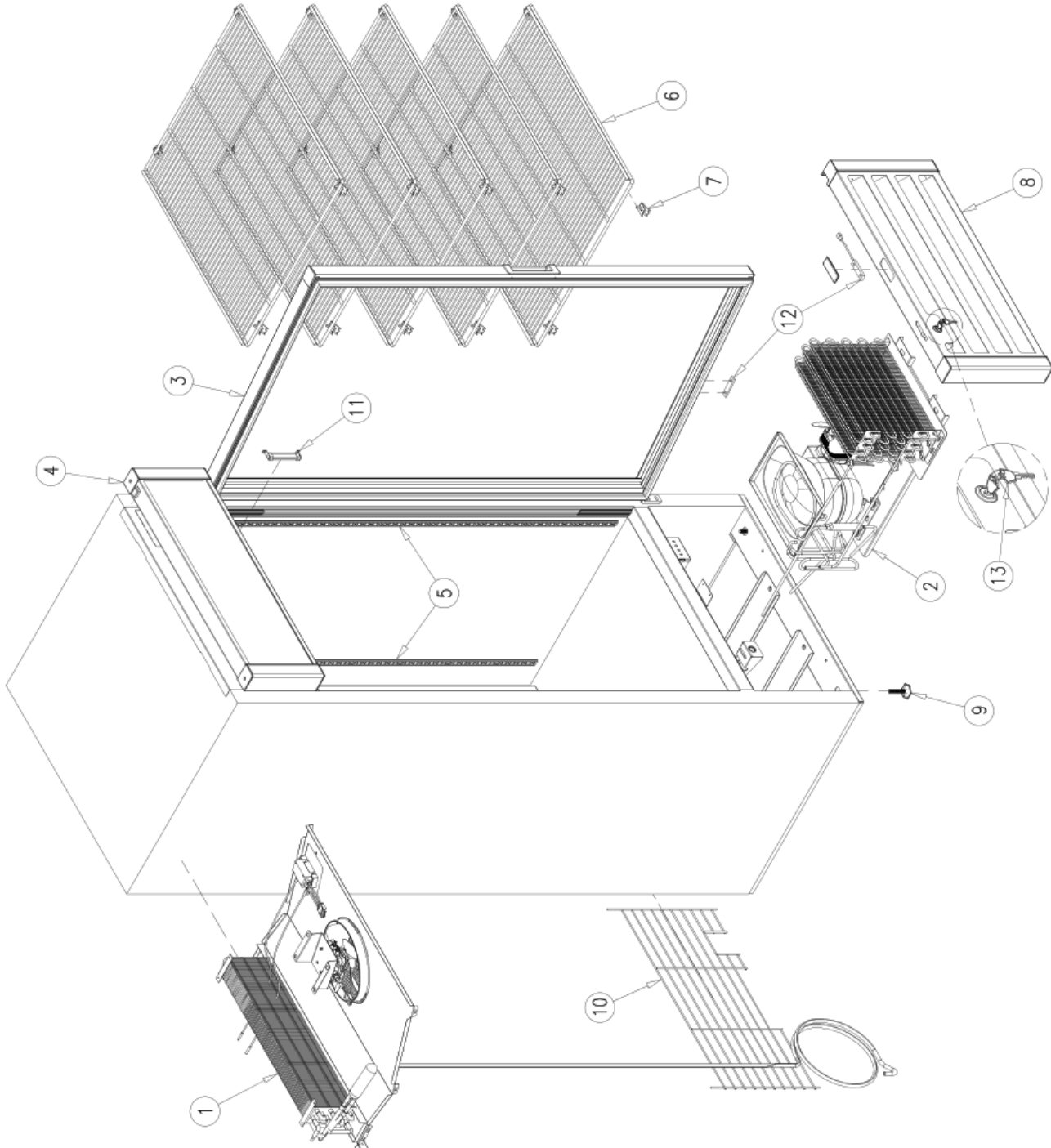
MAIN ASSEMBLY	3
EVAPORATOR ASSEMBLY	5
CONDENSING UNIT ASSEMBLY	7
DOOR ASSEMBLY	9
LIGHTING SYSTEM.....	11

NOTE:

To order spare parts, always include the following information:

- Model Number _____
- Serial Number _____

MAIN ASSEMBLY



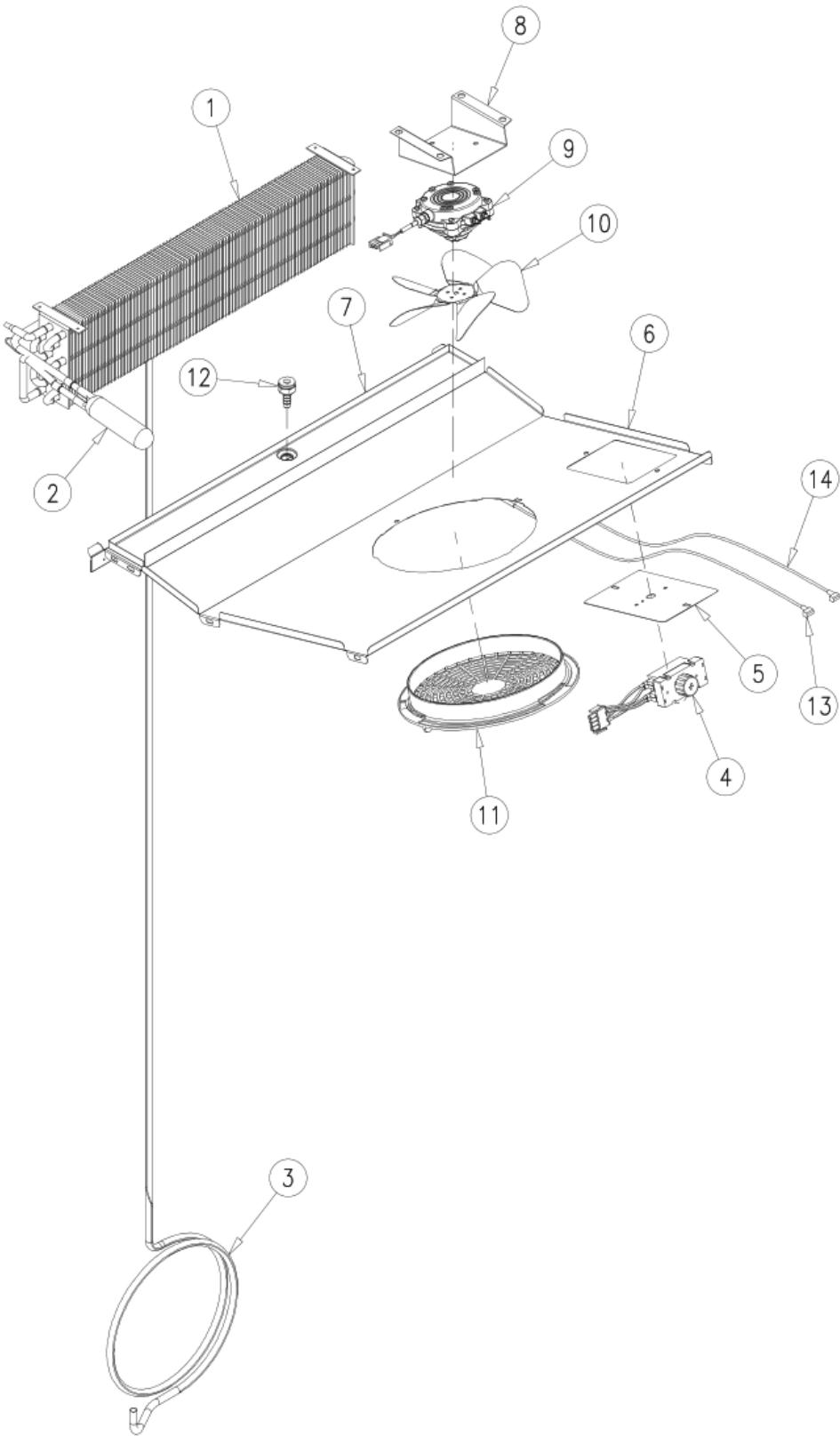
MAIN ASSEMBLY

<i>Item No.</i>	<i>Description</i>	<i>Part No.</i>	<i>Quantity per cooler</i>
1	EVAPORATOR ASSEMBLY	OT-EV-0089*	1
2	CONDENSING UNIT ASSEMBLY	OT-UN-0279	1
3	DOOR ASSEMBLY	OT-PT-0638* OT-PT-0638-WH OT-PT-0638-BLK	1
4	HEADER SIGN	OT-RT-0297* OT-RT-0297-WH OT-RT-0297-BLK	1
5	PILASTER 48"	PI-5	4
6	FLAT SHELF	SH-0180-LEDR-HD-FE	5
7	SHELF CLIPS	CL-51-SS-E	20
8	FRONT GRILL	OT-CM-0542* OT-CM-0542-WH OT-CM-0542-BLK	1
9	LEGS	LG-27	4
10	BACK GRILL	SH-9-G-GR*	1
11	THERMOMETER	TH-1-E	1
12	DOOR SWITCH	EL-306*	1
13	LOCK AND KEY SET	HA-471-G-K	1

*Parts Change With Serial Number Break

ITEM No.	Description	Inter-changeable	Previous Component	Hoshizaki Last Serial Number and Earlier	Current Component	Hoshizaki First Serial Number and Later
1	EVAPORATOR ASSEMBLY	YES	OT-EV-0176	L-00938(M)	OT-EV-0089	M-00954(G)
3	DOOR ASSEMBLY	NO	OT-PT-0519	K-00908 (H)	OT-PT-0638	L-00001(A)
4	HEADER SIGN	NO	OT-RT-0220	K-00908 (H)	OT-RT-0297	L-00001(A)
8	FRONT GRILL	NO	OT-CM-0296	K-00908 (H)	OT-CM-0542	L-00001(A)
10	BACK GRILL	YES	SH-9-G-B	J-00036(C)	SH-9-G-GR	J-00013(E)
12	DOOR SWITCH	YES	EL-360	J-00106 (H)	EL-306	J-00126(H)

EVAPORATOR ASSEMBLY



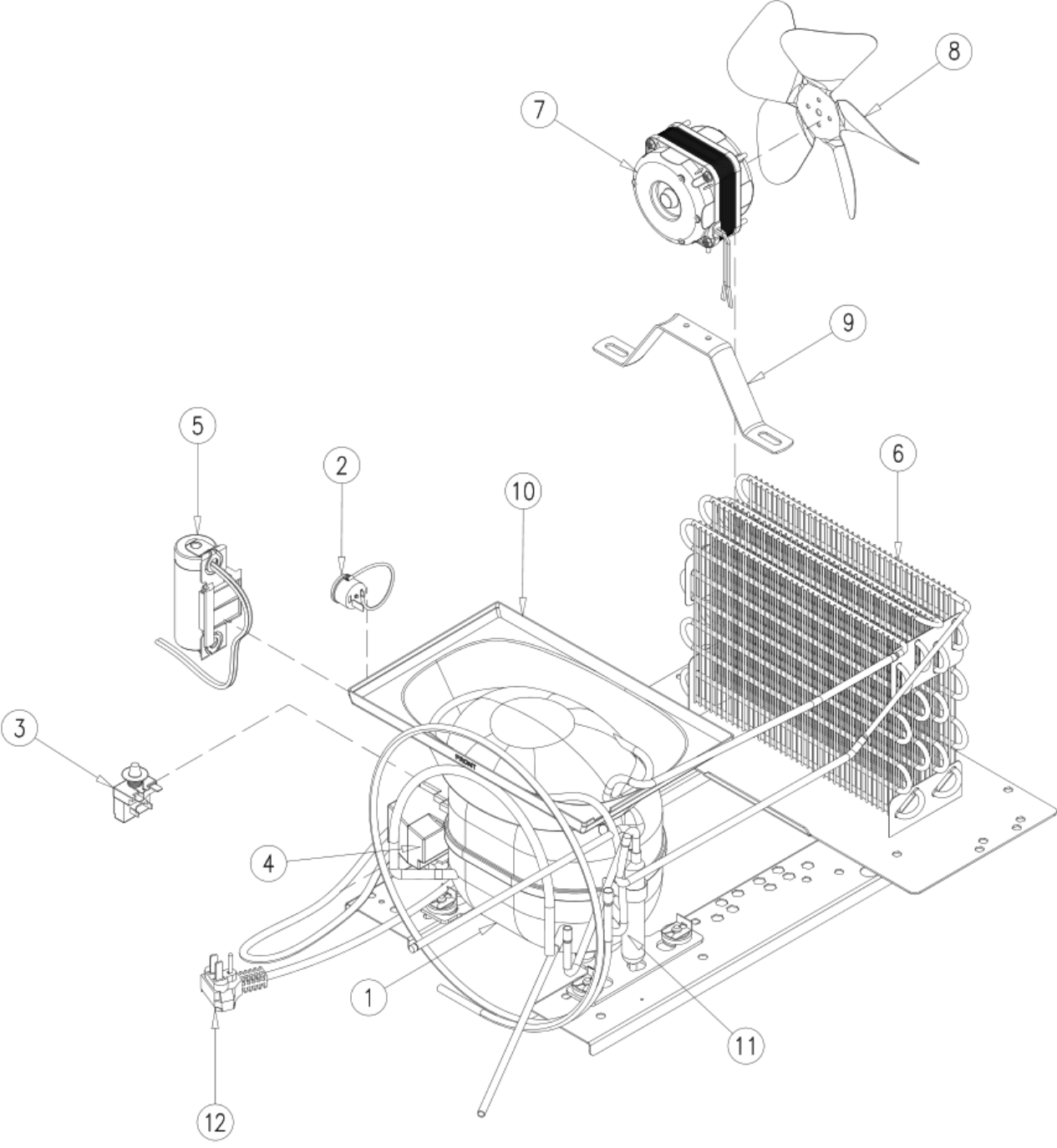
EVAPORATOR ASSEMBLY

Item No.	Description	Part No.	Quantity per cooler
1	EVAPORATOR	CO-303	1
2	ACCUMULATOR	DR-19-C	1
3	HEAT EXCHANGER	OT-TUB-1050	1
4	CONTROL MODULE	CT-198-CO-324 (K)**	1
5	CONTROL MODULE BRACKET	OT-20868	1
6	SHROUD	OT-26725*	1
7	DRAIN PAN	OT-19532	1
8	EVAPORATOR FAN MOTOR BRACKET	OT-26581*	1
9	EVAPORATOR FAN MOTOR	FA-124-SW*	1
10	EVAPORATOR FAN BLADE	FA-2-SW*	1
11	FAN GUARD	FA-123-B*	1
12	DRAIN FITTING	DR-1-P	1
13	CABINET THERMISTOR	CT-180-3-CO*	1
14	DEFROST THERMISTOR	CT-180-4-CO*	1

** THE PART NUMBER CT-198-CO-324 (K) INCLUDES:
CONTROL MODULE CT-198-CO-324
CONTROL MODULE HARNESS [OT-AR-5583](#)
CABINET THERMISTOR [CT-180-3-CO](#)
DEFROST THERMISTOR [CT-180-4-CO](#)
DOOR SWITCH HARNESS [OT-AR-3448](#)

*Parts Change With Serial Number Break						
ITEM No.	Description	Inter-changeable	Previous Component	Hoshizaki Last Serial Number and Earlier	Current Component	Hoshizaki First Serial Number and Later
4	CONTROL MODULE	YES	CT-198-SOL-138	M-01037(G)	CT-198-CO-324	N-00001(B)
	CONTROL MODULE	YES	CT-194-SOL-078	L-00068 (K)	CT-198-SOL-138	L-00542(L)
6	SHROUD	NO	OT-19531	N-00056(K)	OT-26725	N-00055(M)
8	EVAPORATOR FAN MOTOR BRACKET	NO	OT-12203	N-00056(K)	OT-26581	N-00055(M)
9	EVAPORATOR FAN MOTOR	NO	OT-FA-1-EBM-0396	N-00533(H)	FA-124-SW	N-00001(K)
10	EVAPORATOR FAN BLADE	YES	FA-2-EBM	L-00326 (F)	FA-2-SW	L-01920(H)
11	FAN GUARD	NO	FA-62	N-00056(K)	FA-123-B	N-00055(M)
13	CABINET THERMISTOR	NO	CT-196-2-SOL	M-01037(G)	CT-180-3-CO	N-00001(B)
14	DEFROST THERMISTOR	NO	CT-196-2-SOL	M-01037(G)	CT-180-4-CO	N-00001(B)

CONDENSING UNIT ASSEMBLY



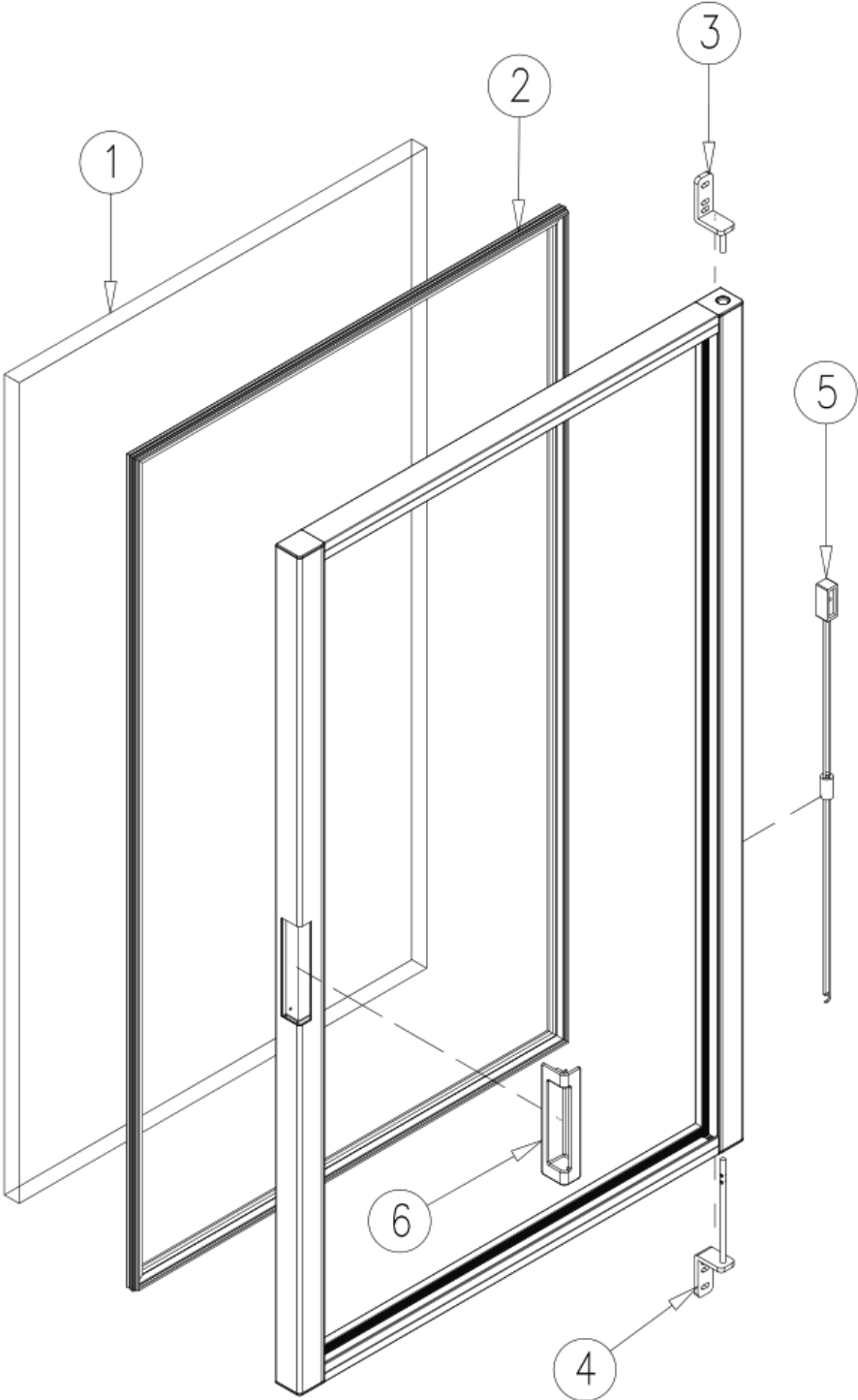
CONDENSING UNIT ASSEMBLY

<i>Item No.</i>	<i>Description</i>	<i>Part No.</i>	<i>Quantity per cooler</i>
1	COMPRESSOR (1/3HP 115V/60HZ R-290)	EM2X3125U	1
2	EXTERNAL PROTECTOR (CP4TMC460N61)	EL-2077-R	1
3	PTC RELAY (7M4R7MD3)	EL-2076-R	1
4	ELECTRICAL BOX	EL-2078-R	1
5	RUN CAPACITOR (20 μ F 180V)	CAP-20-180	1
6	CONDENSER	CO-453-L*	1
7	CONDENSER FAN MOTOR	FA-124-SW*	1
8	CONDENSER FAN BLADE	FA-2-SW*	1
9	CONDENSER FAN MOTOR BRACKET	FA-18	1
10	DRAIN PAN	DP-6	1
11	DRIER	DR-31	1
12	POWER CORD (9 ft)	EL-1260-9	1

***Parts Change With Serial Number Break**

ITEM No.	Description	Interchangeable	Previous Component	Hoshizaki Last Serial Number and Earlier	Current Component	Hoshizaki First Serial Number and Later
6	CONDENSER	YES	CO-453	M-01037(G)	CO-453-L	N-00001(B)
7	CONDENSER FAN MOTOR	YES	OT-FA-1-EBM-0396	N-00533(H)	FA-124-SW	N-00001(K)
8	CONDENSER FAN BLADE	YES	FA-2-EBM	L-00326(F)	FA-2-SW	L-01920(H)

DOOR ASSEMBLY



DOOR ASSEMBLY

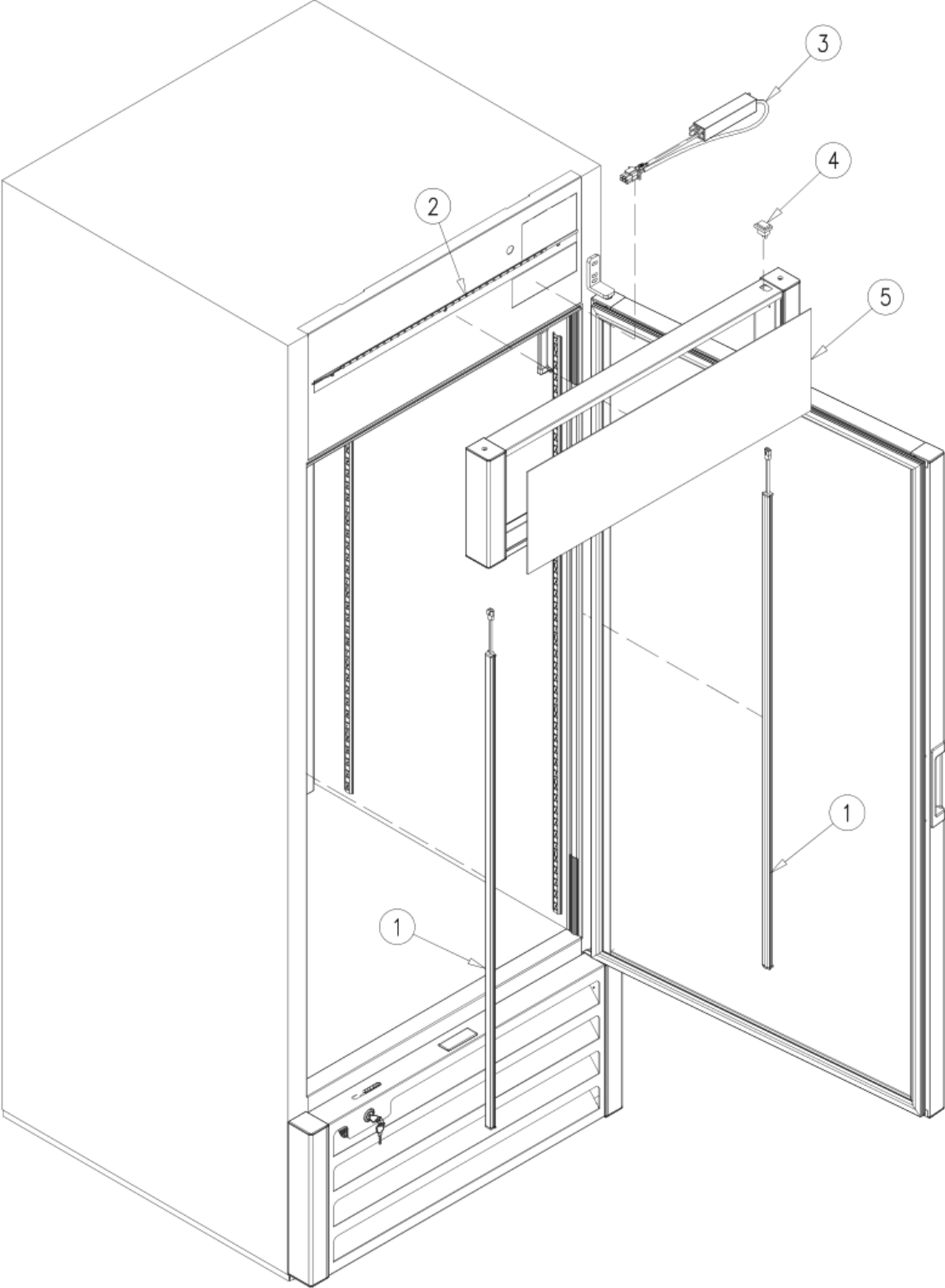
<i>Item No.</i>	<i>Description</i>	<i>Part No.</i>	<i>Quantity per cooler</i>
1	GLASS PANE	GL-677-AD-EA	1
2	MAGNETIC GASKET	OT-GA-900-PT-0638	1
3	UPPER HINGE ASSEMBLY	HA-535-R-K	1
4	LOWER HINGE ASSEMBLY	HA-522-R-K	1
5	TORSION MECHANISM	HA-479	1
6	DOOR HANDLE	HA-632-K*	1

NOTE:

NOT REVERSIBLE DOOR

*Parts Change With Serial Number Break						
ITEM No.	Description	Interchangeable	Previous Component	Hoshizaki Last Serial Number and Earlier	Current Component	Hoshizaki First Serial Number and Later
6	DOOR HANDLE	NO	OT-HA-676	K-00908 (H)	HA-632-K	L-00001(A)

LIGHTING SYSTEM



LIGHTING SYSTEM

<i>Item No.</i>	<i>Description</i>	<i>Part No.</i>	<i>Quantity per cooler</i>
1	LED LAMP STRIP (39 3/8")	EL-148	2
2	HIGH INTENSITY LED STRIP	EL-171-60	1
3	LED DRIVER (1.25 Amp.)	OT-EL-151-T	1
4	LIGHT SWITCH	EL-305	1
5	ACRYLIC HEADER SIGN	ROT-0103	1