



HOSHIZAKI

Parts List

Glass Door Merchandiser

Model

RM-45-SD-HC

hoshizakiamerica.com

Number: RM-45-SD-HC
Issued: 11-12-2018
Revised: 02-02-2024

TABLE OF CONTENTS

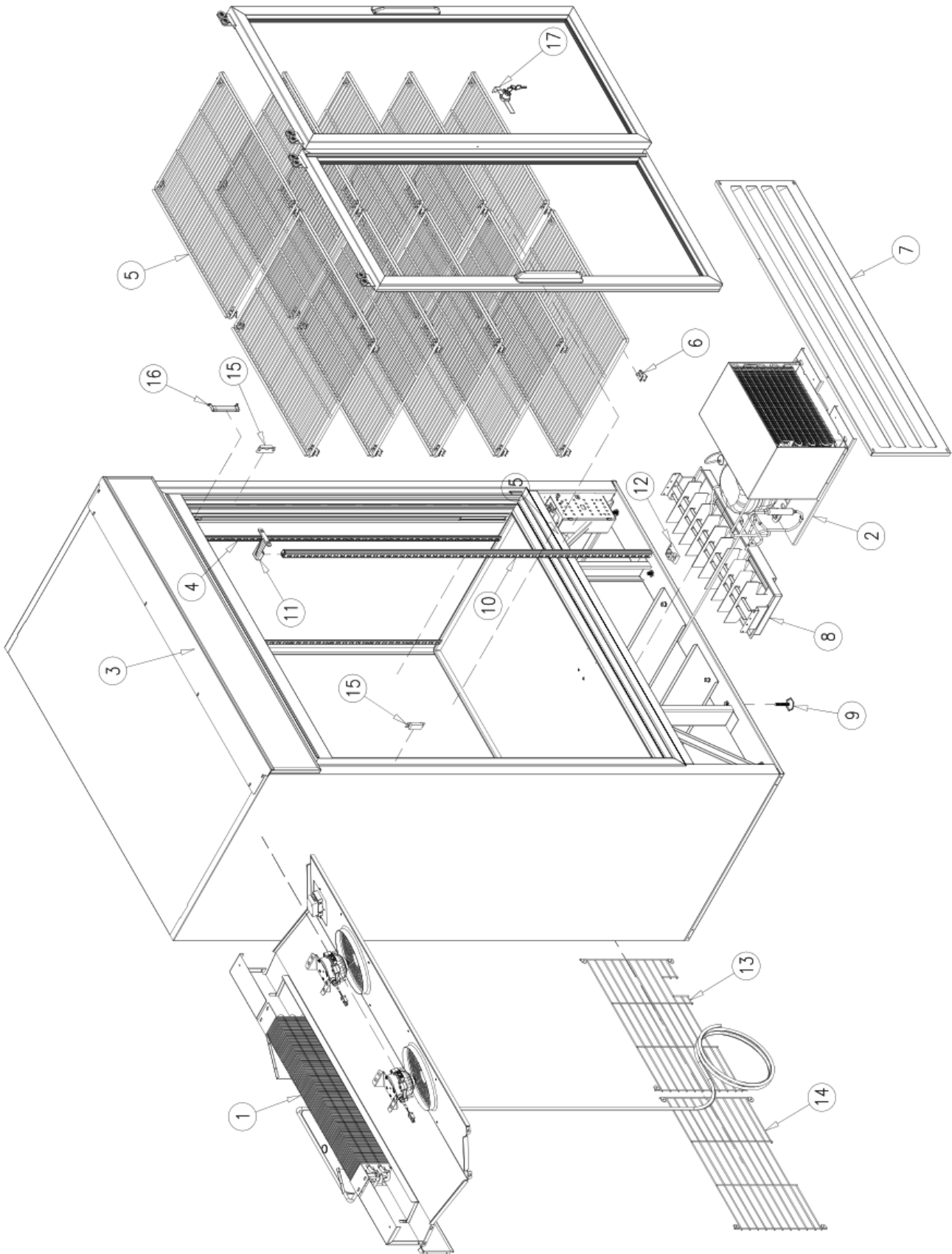
MAIN ASSEMBLY	3
EVAPORATOR ASSEMBLY	5
CONDENSING UNIT ASSEMBLY	7
DOOR ASSEMBLY	9
DOOR ASSEMBLY	11
<i>Right and Left Hand Door</i>	
LIGHTING SYSTEM.....	13

NOTE:

To order spare parts, always include the following information:

- Model Number _____
- Serial Number _____

MAIN ASSEMBLY



RM-45-SD-HC

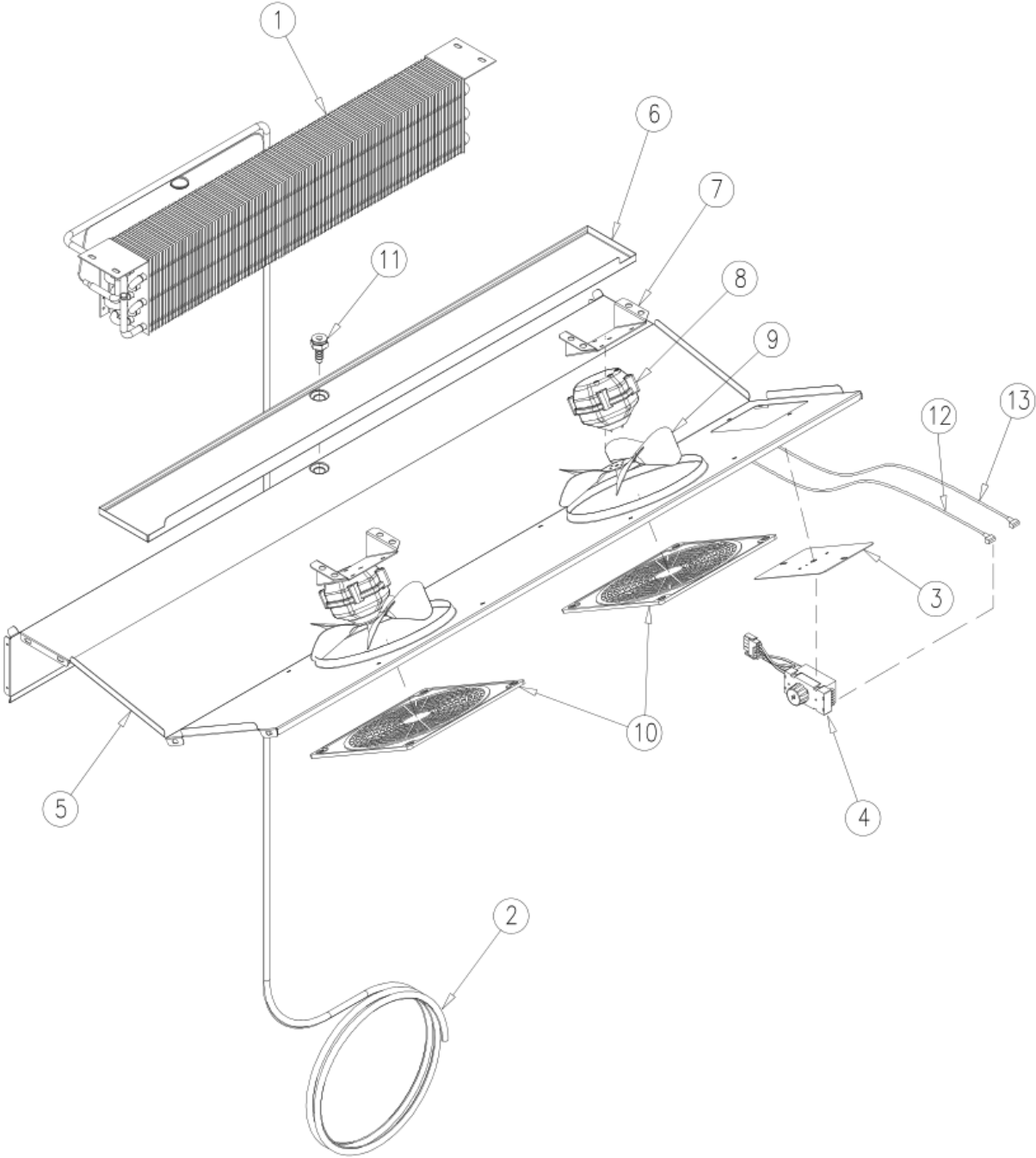
MAIN ASSEMBLY

<i>Item No.</i>	<i>Description</i>	<i>Part No.</i>	<i>Quantity per cooler</i>
1	EVAPORATOR ASSEMBLY	OT-EV-0306*	1
2	CONDENSING UNIT ASSEMBLY	OT-UN-0518*	1
3	HEADER SIGN	OT-RT-0268	1
4	PILASTER 48"	PI-5	6
5	FLAT SHELF	SH-0211-HD-FE	10
6	SHELF CLIPS	CL-51-SS-E	40
7	FRONT GRILL	OT-6630	1
8	WATER DRAIN PAN	OT-FEL-001	1
9	LEGS	LG-27	8
10	PILASTER	PI-55	1
11	PILASTER POST HOLDER	PL-424-GR	1
12	PILASTER POST BASE	PL-423-GR	1
13	RIGHT BACK GRILL	SH-0033-D-G-GR*	1
14	LEFT BACK GRILL	SH-0033-I-G-GR*	1
15	DOOR SWITCH	EL-306*	2
16	THERMOMETER	TH-1-E	1
17	LOCK AND KEY SET	LS-5	1

*Parts Change With Serial Number Break

ITEM No.	Description	Interchangeable	Previous Component	Hoshizaki Last Serial Number and Earlier	Current Component	Hoshizaki First Serial Number and Later
1	EVAPORATOR ASSEMBLY	NO	OT-EV-0106	M-00647(C)	OT-EV-0306	N-00346(G)
2	CONDENSING UNIT ASSEMBLY	NO	OT-UN-0289	M-00647(C)	OT-UN-0518	N-00346(G)
13	RIGHT BACK GRILL	YES	SH-0033-D-G-B	J-00358(C)	SH-0033-D-G-GR	J-00039(E)
14	LEFT BACK GRILL	YES	SH-0033-I-G-B	J-00358(C)	SH-0033-I-G-GR	J-00039(E)
15	DOOR SWITCH	YES	EL-360	J-00084 (G)	EL-306	J-00210 (H)

EVAPORATOR ASSEMBLY



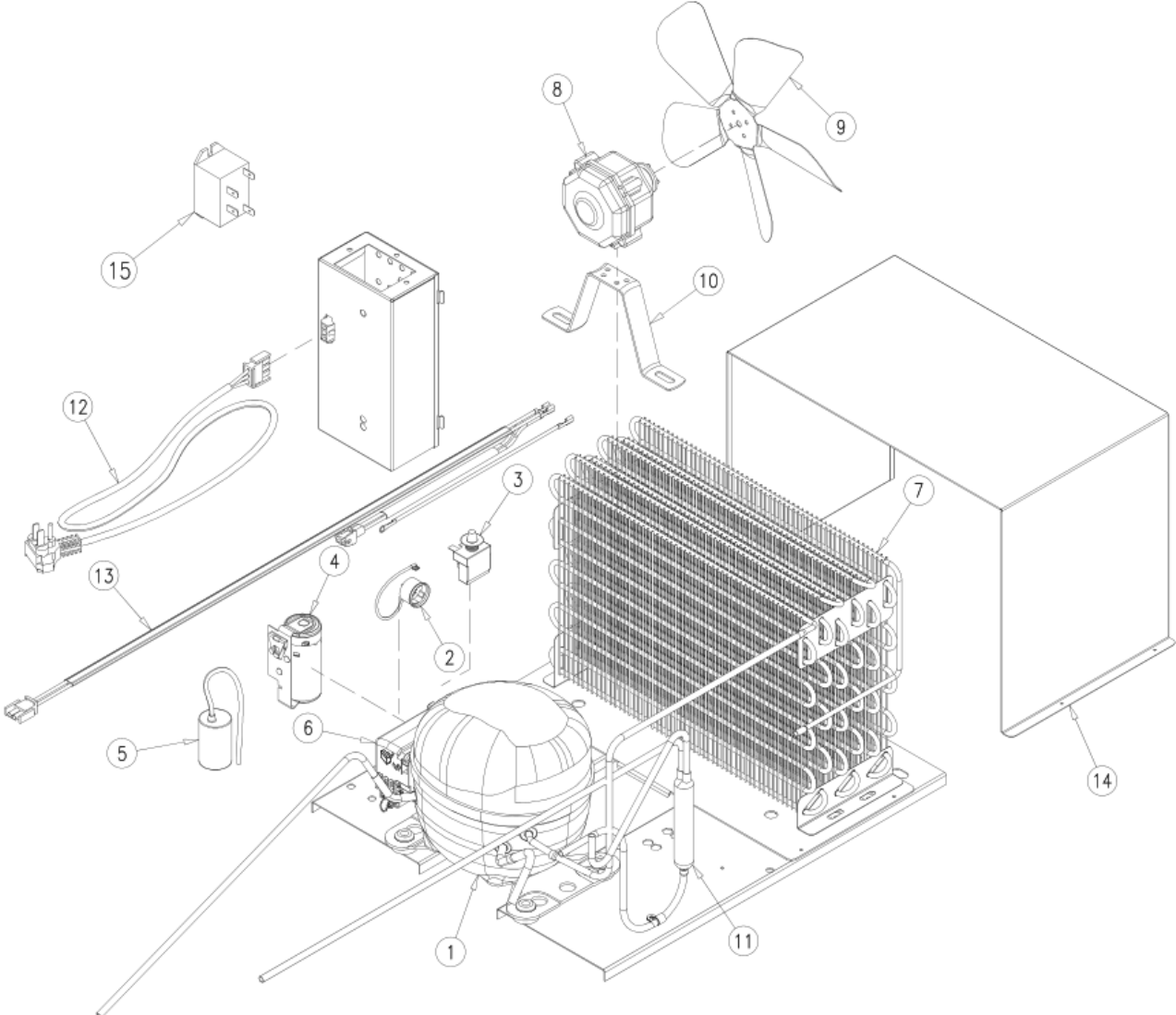
EVAPORATOR ASSEMBLY

Item No.	Description	Part No.	Quantity per cooler
1	EVAPORATOR	CO-369	1
2	HEAT EXCHANGER	TUB-1471*	1
3	CONTROL MODULE BRACKET	OT-20868	1
4	CONTROL MODULE	CT-198-CO-325(K)**	1
5	SHROUD	OT-21308	1
6	EVAPORATOR DRAIN PAN	OT-26310*	1
7	EVAPORATOR FAN MOTOR BRACKET	OT-20601	2
8	EVAPORATOR FAN MOTOR	FA-122-SW-1800*	2
9	EVAPORATOR FAN BLADE	FA-2-SW*	2
10	EVAPORATOR FAN GUARD	FA-62	2
11	DRAIN FITTING	DR-1-P	1
12	CABINET THERMISTOR	CT-180-3-CO*	1
13	DEFROST THERMISTOR	CT-180-4-CO*	1

** THE PART NUMBER CT-198-CO-325 (K) INCLUDES:
 CONTROL MODULE CT-198-CO-325
 CONTROL MODULE HARNESS [OT-AR-5583](#)
 CABINET THERMISTOR [CT-180-3-CO](#)
 DEFROST THERMISTOR [CT-180-4-CO](#)
 DOOR SWITCH HARNESS [OT-AR-3448](#)

*Parts Change With Serial Number Break						
ITEM No.	Description	Inter-changeable	Previous Component	Hoshizaki Last Serial Number and Earlier	Current Component	Hoshizaki First Serial Number and Later
2	HEAT EXCHANGER	YES	TUB-1145	M-00647(C)	TUB-1471	N-00346(G)
4	CONTROL MODULE	YES	CT-198-SOL-139	M-00647(C)	CT-198-CO-325	N-00346(G)
	CONTROL MODULE	YES	CT-194-SOL-080(K)	L-00256(J)	CT-198-SOL-139	M-00137(B)
6	EVAPORATOR DRAIN PAN	YES	OT-21466	M-00647(C)	OT-26310	N-00346(G)
8	EVAPORATOR FAN MOTOR	YES	FA-70-SW	M-00647(C)	FA-122-SW-1800	N-00346(G)
	EVAPORATOR FAN MOTOR	YES	FA-41	M-00202(B)	FA-70-SW	M-00626(C)
9	EVAPORATOR FAN BLADE	YES	FA-2-EBM	L-00409(E)	FA-2-SW	L-00753(H)
12	CABINET THERMISTOR	NO	CT-196-2-SOL	M-00647(C)	CT-180-3-CO	N-00346(G)
13	DEFROST THERMISTOR	NO	CT-196-2-SOL	M-00647(C)	CT-180-4-CO	N-00346(G)

CONDENSING UNIT ASSEMBLY



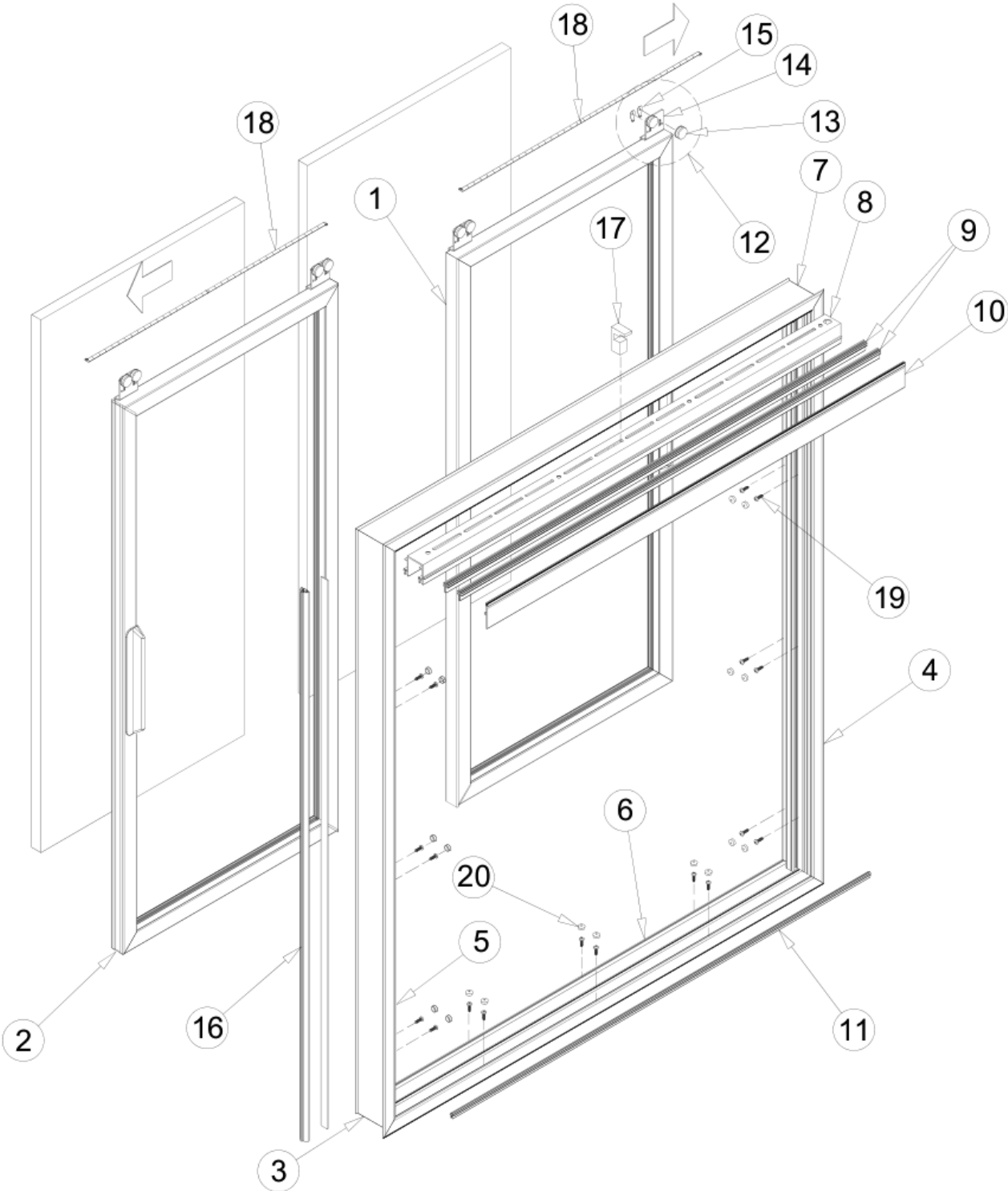
CONDENSING UNIT ASSEMBLY

<i>Item No.</i>	<i>Description</i>	<i>Part No.</i>	<i>Quantity per cooler</i>
1	COMPRESSOR (1/3HP 115-127V/60HZ R-290)	NUY90NRb*	1
2	EXTERNAL PROTECTOR (T0535)	EL-2151-R	1
3	PTC RELAY (2014-180)	EL-2152-R	1
4	START CAPACITOR (150μF 160V)	CAP-150-160	1
5	RUN CAPACITOR (10μF 250V)	CAP-10-250	1
6	ELECTRICAL BOX	EL-2153-R	1
7	CONDENSER	CO-454	1
8	CONDENSER FAN MOTOR	FA-122-SW-1550*	1
9	CONDENSER FAN BLADE	FA-11-WE	1
10	CONDENSER FAN MOTOR BRACKET	FA-18	1
11	DRIER	DR-29-P	1
12	POWER CORD (9 ft)	EL-1260-9*	1
13	UNIT HARNESS	OT-AR-1016	1
14	CONDENSER SHROUD	OT-21338	1
15	MAGNETIC CONTACTOR	EL-716-R	1

*Parts Change With Serial Number Break

ITEM No.	Description	Inter-changeable	Previous Component	Hoshizaki Last Serial Number and Earlier	Current Component	Hoshizaki First Serial Number and Later
1	COMPRESSOR	NO	NLY12NRB	M-00647(C)	NUY90NRB	N-00346(G)
8	CONDENSER FAN MOTOR	YES	FA-41	M-00647(C)	FA-122-SW-1550	N-00346(G)
12	POWER CORD	YES	OT-EL-1265-9-4784	N-00389(G)	EL-1260-9	N-00189(J)

DOOR ASSEMBLY



DOOR ASSEMBLY

Item No.	Description	Part No.	Quantity per cooler
1	RIGHT DOOR	OT-PT-0668*	1
2	LEFT DOOR	OT-PT-0669*	1
3	SLIDING TRACK FRAME	OT-TRACK-RM45SD	1
4	RIGHT SIDE VERTICAL PROFILE	OT-PM-0155	1
5	LEFT SIDE VERTICAL PROFILE	OT-PM-0156	1
6	BOTTOM TRACK PROFILE	OT-PM-0154	1
7	TOP TRACK PROFILE	OT-PM-0153	1
8	ALUMINUM TRACK PROFILE	OT-PT-0696*	1
9	GASKET	OT-GA-58-B-46.125	2
10	COVER FOR TOP TRACK PROFILE	OT-MD-325-47	1
11	BELLOWS GASKET	OT-GA-57-B-46	1
12	DOOR METAL ROLLER BRACKET	OT-RO-29-2**	4
13	DOOR METAL ROLLER	RO-29	8
14	DOOR METAL ROLLER BRACKET	OT-23931*	4
15	ADJUSTMENT BRACE	OT-ES-1485	8
16	VERTICAL TRACK MAGNETIC GASKET	OT-GA-56-B-54.375	2
17	ADHESIVE SEAL	GA-479-B*	1
18	SLIDING DOOR SPRING	SP-16	2
19	TRACK PROFILE SCREWS	SC-375-SS	18
20	CAP SCREWS	PL-191	12

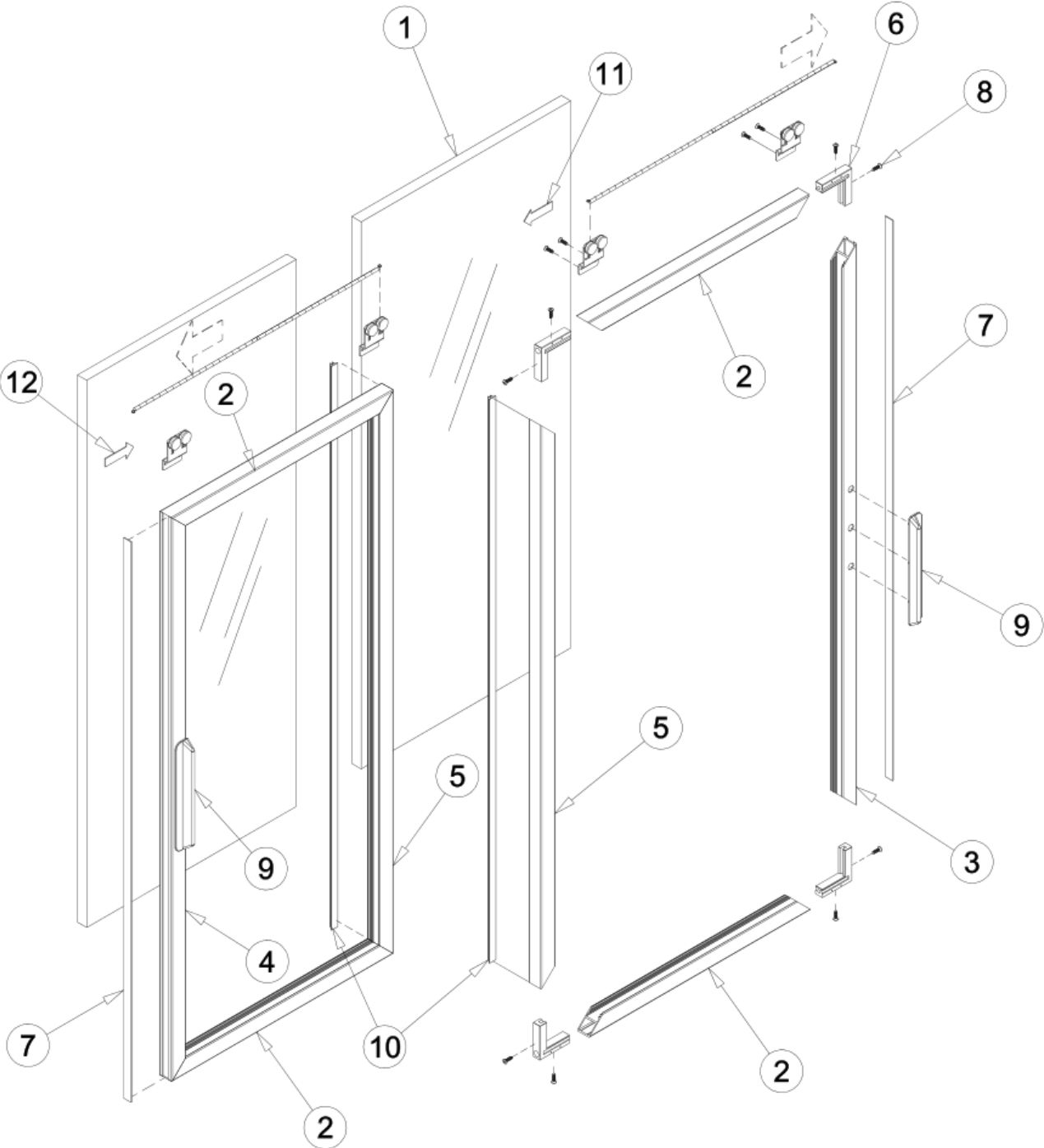
**THE PART NUMBER OT-RO-29-2 INCLUDES:

DOOR METAL ROLLER RO-29 (Item No. 13)
 DOOR METAL ROLLER BRACKET [OT-23931](#) (Item No. 14)
 ADJUSTMENT BRACE [OT-ES-1485](#) (Item No. 15)
 NUT NU-290-E

*Parts Change With Serial Number Break						
ITEM No.	Description	Inter-changeable	Previous Component	Hoshizaki Last Serial Number	Current Component	Hoshizaki First Serial Number
1	RIGHT DOOR	YES	OT-PT-0589	K-00176(G)	OT-PT-0668	K-00923(H)
2	LEFT DOOR	YES	OT-PT-0590	K-00176(G)	OT-PT-0669	K-00923(H)
8	ALUMINUM TRACK PROFILE	YES	OT-PT-0084	L-00256(J)	OT-PT-0696	M-00137(B)
	ALUMINUM TRACK PROFILE	NO	OT-MD-326-47	K-00133(A)	OT-PT-0084	K-00377(B)
14	DOOR METAL ROLLER BRACKET	YES	OT-22486	K-00176(G)	OT-23931	K-00923(H)
17	ADHESIVE SEAL	YES	GA-315-B	J-00270(H)	GA-479-B	K-00112(A)

DOOR ASSEMBLY

Right and Left Hand Door

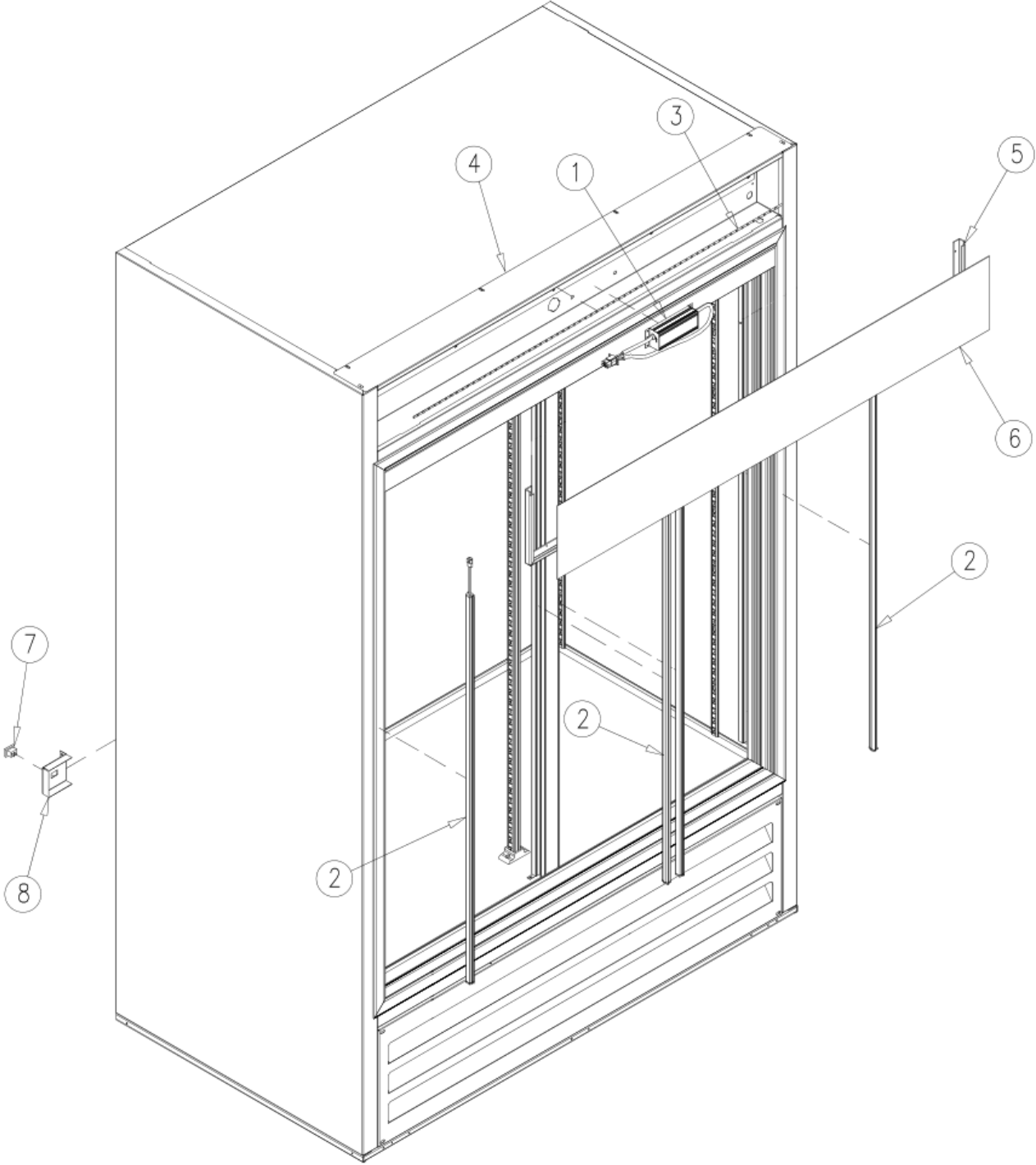


DOOR ASSEMBLY

Right and Left Hand Door

<i>Item No.</i>	<i>Description</i>	<i>Part No.</i>	<i>Quantity per cooler</i>
1	GLASS PANE	GL-549-AD-EA	2
2	LOWER & UPPER DOOR PROFILE	OT-MD-322-48	4
3	RIGHT VERTICAL DOOR PROFILE WITH HANDLE	OT-MD-321-53-R	1
4	LEFT VERTICAL DOOR PROFILE WITH HANDLE	OT-MD-321-53-L	1
5	RIGHT & LEFT VERTICAL DOOR PROFILE	OT-MD-322-53	2
6	DOOR BRACKET	ESQ-020	8
7	STRIP FOR DOOR GASKET	OT-7055	2
8	SCREWS	SC-46-SS-N	24
9	DOOR HANDLE	HA-666-K	2
10	LIP SEAL	OT-GA-30-B	2
11	RIGHT STICKER "SLIDE"	NP-122-G	1
12	LEFT STICKER "SLIDE"	NP-121-G	1

LIGHTING SYSTEM



LIGHTING SYSTEM

<i>Item No.</i>	<i>Description</i>	<i>Part No.</i>	<i>Quantity per cooler</i>
1	LED DRIVER (2.5 Amp.)	OT-EL-150-T	1
2	LED LAMP STRIP (39 3/8")	EL-148	4
3	HIGH INTENSITY FLEXIBLE LED STRIP (43 1/4")	OT-EL-170-43.25	1
4	SIGN TOP	OT-21879	1
5	SIGN FRAME	OT-22277	1
6	ACRYLIC HEADER SIGN	ROT-0017	1
7	LIGHT SWITCH	EL-305	1
8	LIGHT SWITCH BRACKET	OT-20877	1