



HOSHIZAKI

Parts List

Glass Door Merchandiser

Model

RM-49-HC

hoshizakiamerica.com

Number: RM-49-HC
Issued: 07-27-2018
Revised: 02-02-2024

TABLE OF CONTENTS

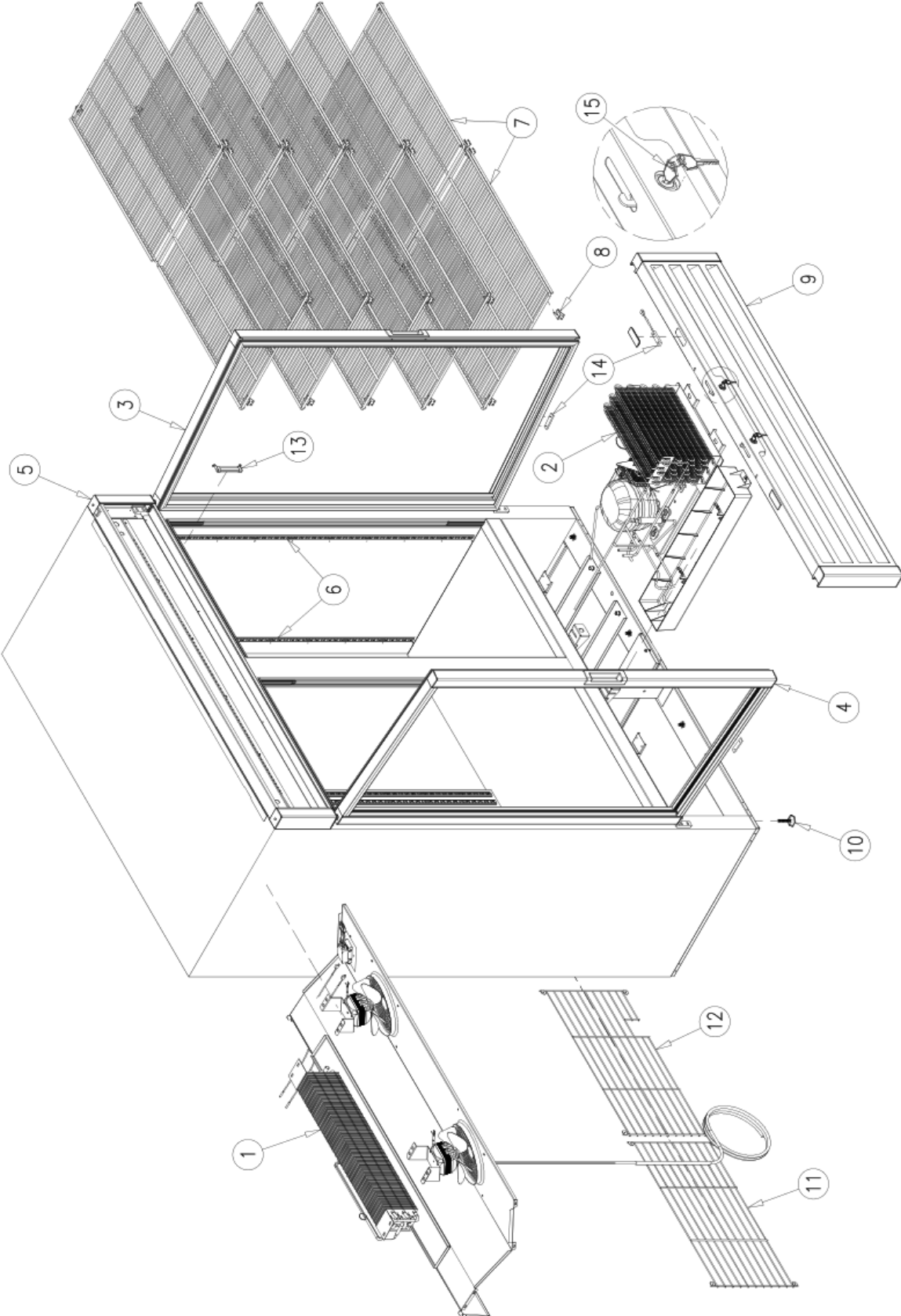
MAIN ASSEMBLY	3
EVAPORATOR ASSEMBLY	5
CONDENSING UNIT ASSEMBLY	7
DOOR ASSEMBLY	9
LIGHTING SYSTEM	11

NOTE:

To order spare parts, always include the following information:

- *Model Number* _____
- *Serial Number* _____

MAIN ASSEMBLY



RM-49-HC

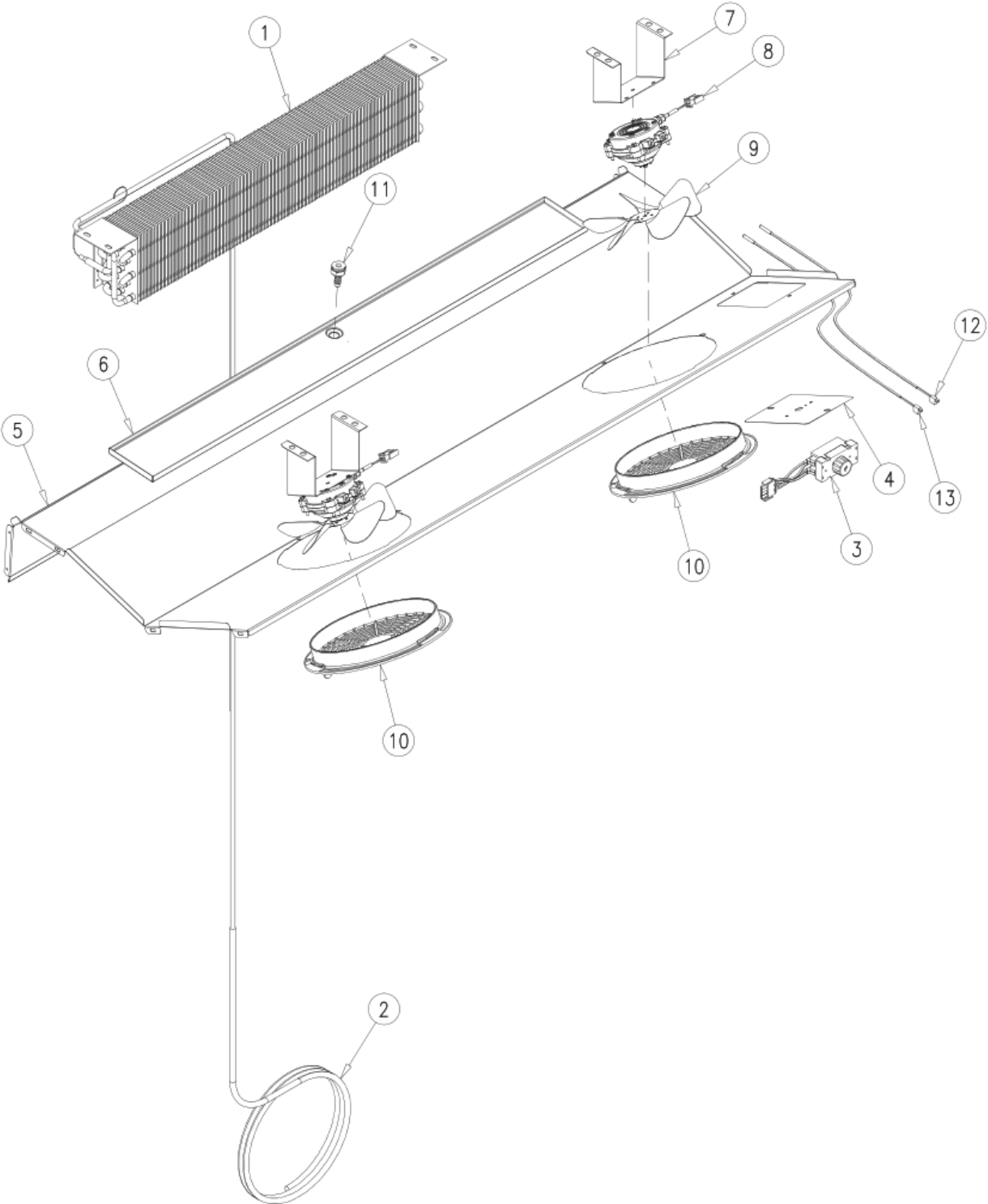
MAIN ASSEMBLY

<i>Item No.</i>	<i>Description</i>	<i>Part No.</i>	<i>Quantity per cooler</i>
1	EVAPORATOR ASSEMBLY	OT-EV-0248*	1
2	CONDENSING UNIT ASSEMBLY	OT-UN-0498*	1
3	RIGHT DOOR ASSEMBLY	OT-PT-0636*	1
4	LEFT DOOR ASSEMBLY	OT-PT-0637*	1
5	HEADER SIGN	OT-RT-0396*	1
6	PILASTER 48"	PI-5	8
7	FLAT SHELF	SH-0183-LEDR-HD-FE	10
8	SHELF CLIPS	CL-51-SS-E	40
9	FRONT GRILL	OT-CM-0512*	1
10	LEGS	LG-27	8
11	RIGHT BACK GRILL	SH-0540-D-G-GR*	1
12	LEFT BACK GRILL	SH-0540-I-G-GR*	1
13	THERMOMETER	TH-1-E	1
14	DOOR SWITCH	EL-306*	2
15	LOCK AND KEY SET	HA-471-G-K	2

*Parts Change With Serial Number Break

ITEM No.	Description	Inter-change-able	Previous Component	Hoshizaki Last Serial Number and Earlier	Current Component	Hoshizaki First Serial Number and Later
1	EVAPORATOR ASSEMBLY	NO	OT-EV-0110	M-00953(G)	OT-EV-0248	N-00067(B)
2	CONDENSING UNIT ASSEMBLY	NO	OT-UN-0096	M-00953(G)	OT-UN-0498	N-00067(B)
3	RIGHT DOOR ASSEMBLY	NO	OT-PT-0519	K-00922(H)	OT-PT-0636	K-00311(M)
4	LEFT DOOR ASSEMBLY	NO	OT-PT-0572	K-00922(H)	OT-PT-0637	K-00311(M)
5	HEADER SIGN	NO	OT-RT-0236	K-00922(H)	OT-RT-0396	K-00311(M)
9	FRONT GRILL	NO	OT-CM-0307	K-00922(H)	OT-CM-0512	K-00311(M)
11	RIGHT BACK GRILL	YES	SH-0540-D-G-B	J-00035(D)	SH-0540-D-G-GR	J-00001(E)
12	LEFT BACK GRILL	YES	SH-0540-I-G-B	J-00035(D)	SH-0540-I-G-GR	J-00001(E)
14	DOOR SWITCH	YES	EL-360	J-00014(H)	EL-306	J-00001(J)

EVAPORATOR ASSEMBLY



EVAPORATOR ASSEMBLY

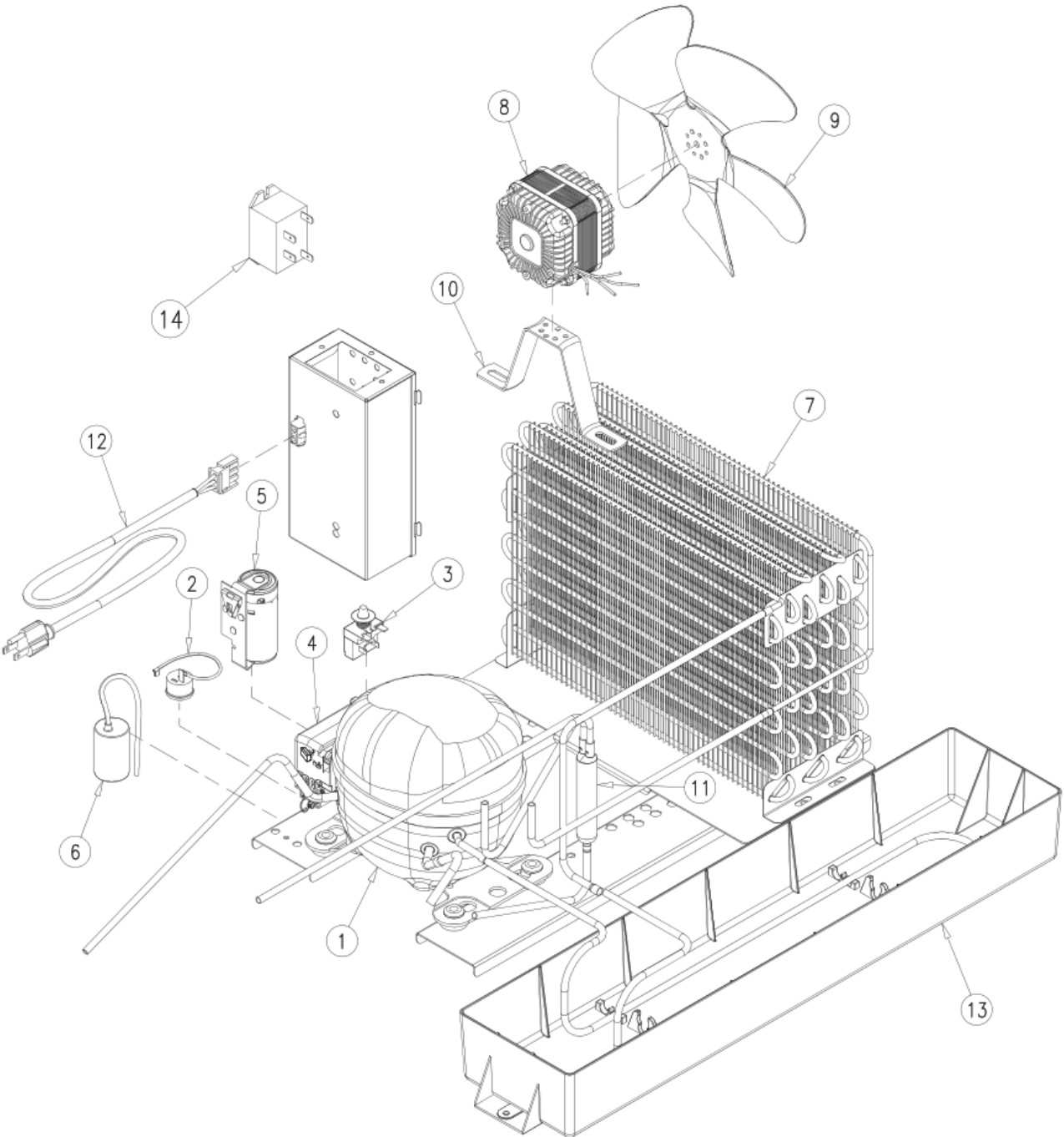
<i>Item No.</i>	<i>Description</i>	<i>Part No.</i>	<i>Quantity per cooler</i>
1	EVAPORATOR	CO-369*	2
2	HEAT EXCHANGER	TUB-1287*	1
3	CONTROL MODULE	CT-198-CO-324 (K)**	1
4	CONTROL MODULE BRACKET	OT-20868	1
5	SHROUD	OT-27095*	1
6	EVAPORATOR DRAIN PAN	OT-21712*	1
7	EVAPORATOR FAN MOTOR BRACKET	OT-26683*	2
8	EVAPORATOR FAN MOTOR	FA-124-SW*	2
9	EVAPORATOR FAN BLADE	FA-2-SW*	2
10	FAN GUARD	FA-123-B*	2
11	DRAIN FITTING	DR-1-P	1
12	CABINET THERMISTOR	CT-180-3-CO*	1
13	DEFROST THERMISTOR	CT-180-4-CO*	1

** THE PART NUMBER CT-198-CO-324 (K) INCLUDES:
 CONTROL MODULE CT-198-CO-324
 CONTROL MODULE HARNESS [OT-AR-5583](#)
 CABINET THERMISTOR [CT-180-3-CO](#)
 DEFROST THERMISTOR [CT-180-4-CO](#)
 DOOR SWITCH HARNESS [OT-AR-3448](#)

EVAPORATOR ASSEMBLY

*Parts Change With Serial Number Break						
ITEM No.	Description	Inter-changeable	Previous Component	Hoshizaki Last Serial Number and Earlier	Current Component	Hoshizaki First Serial Number and Later
1	EVAPORATOR	NO	CO-312	M-00953(G)	CO-369	N-00067(B)
2	HEAT EXCHANGER	NO	TUB-0493	M-00953(G)	TUB-1287	N-00067(B)
3	CONTROL MODULE	YES	CT-198-SOL-138	M-00953(G)	CT-198-CO-324	N-00067(B)
	CONTROL MODULE	YES	CT-194-SOL-078	L-00012(K)	CT-198-SOL-138	L-00001(L)
5	SHROUD	NO	OT-22446	N-00120(H)	OT-27095	P-00336(A)
	SHROUD	YES	OT-19398	M-00953(G)	OT-22446	N-00067(B)
6	EVAPORATOR DRAIN PAN	YES	OT-19361	M-00953(G)	OT-21712	N-00067(B)
7	EVAPORATOR FAN MOTOR BRACKET	NO	OT-22457	N-00120(H)	OT-26683	P-00336(A)
	EVAPORATOR FAN MOTOR BRACKET	YES	OT-9289	M-00953(G)	OT-22457	N-00067(B)
8	EVAPORATOR FAN MOTOR	YES	OT-FA-1-EBM-0396	N-00120(H)	FA-124-SW	P-00336(A)
9	EVAPORATOR FAN BLADE	YES	FA-2-EBM	L-01338(G)	FA-2-SW	L-00001(K)
10	FAN GUARD	NO	FA-62	N-00120(H)	FA-123-B	P-00336(A)
12	CABINET THERMISTOR	NO	CT-196-2-SOL	M-00953(G)	CT-180-3-CO	N-00067(B)
13	DEFROST THERMISTOR	NO	CT-196-2-SOL	M-00953(G)	CT-180-4-CO	N-00067(B)

CONDENSING UNIT ASSEMBLY

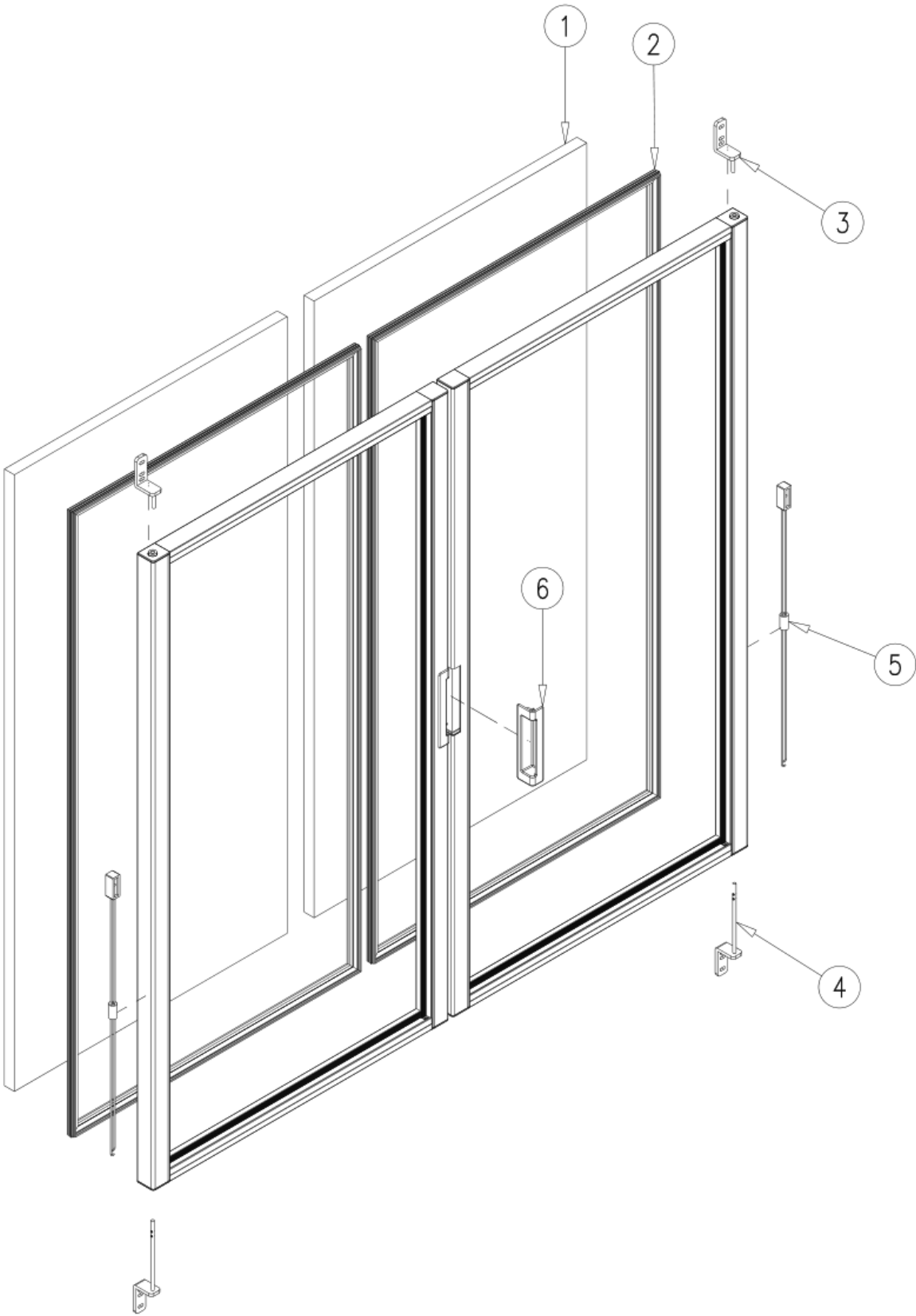


CONDENSING UNIT ASSEMBLY

<i>Item No.</i>	<i>Description</i>	<i>Part No.</i>	<i>Quantity per cooler</i>
1	COMPRESSOR (1/3HP 115-127V/60HZ R-290)	NUY90NRB*	1
2	EXTERNAL PROTECTOR (T0535)	EL-2151-R	1
3	PTC RELAY (2014 180)	EL-2152-R	1
4	ELECTRICAL BOX	EL-2153-R	1
5	START CAPACITOR (150μF 160V)	CAP-150-160	1
6	RUN CAPACITOR (10μF 250V)	CAP-10-250	1
7	CONDENSER	CO-454-L*	1
8	CONDENSER FAN MOTOR	FA-122-SW-1550*	1
9	CONDENSER FAN BLADE	FA-11-WE*	1
10	CONDENSER FAN MOTOR BRACKET	FA-18	1
11	DRIER	DR-29-P	1
12	POWER CORD (9 ft)	EL-1260-9*	1
13	DRAIN PAN	OT-IN-0032*	1
14	MAGNETIC CONTACTOR	EL-716-R	1

*Parts Change With Serial Number Break						
ITEM No.	Description	Inter-changeable	Previous Component	Hoshizaki Last Serial Number and Earlier	Current Component	Hoshizaki First Serial Number and Later
1	COMPRESSOR	NO	FFU160UAX	M-00953(G)	NUY90NRB	N-00067(B)
7	CONDENSER	YES	CO-454	N-00120(H)	CO-454-L	P-00336(A)
8	CONDENSER FAN MOTOR	YES	OT-FA-13-EBM-0396	L-00282(L)	FA-122-SW-1550	M-00912(G)
9	CONDENSER FAN BLADE	YES	FA-11-EBM	M-00953(G)	FA-11-WE	N-00067(B)
12	POWER CORD	YES	OT-EL-1265-9-4784	N-00129(G)	EL-1260-9	N-00093(H)
13	DRAIN PAN	NO	OT-TF-0383	N-00073(B)	OT-IN-0032	N-00116(G)

DOOR ASSEMBLY



DOOR ASSEMBLY

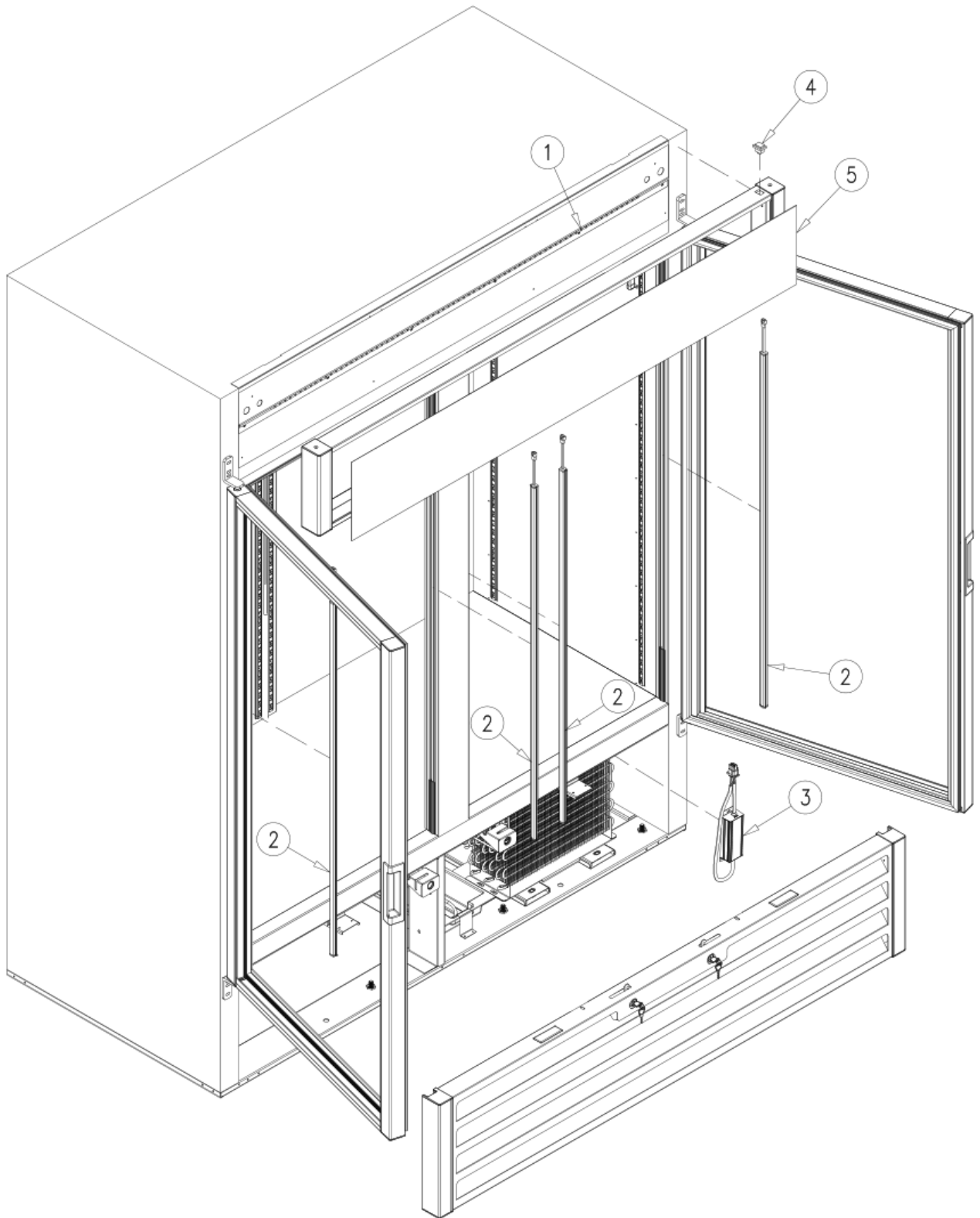
<i>Item No.</i>	<i>Description</i>	<i>Part No.</i>	<i>Quantity per cooler</i>
1	GLASS PANE	GL-677-AD-EA	2
2	MAGNETIC GASKET	OT-GA-900-PT-0636	2
3	UPPER HINGE ASSEMBLY	HA-535-R-K	2
4	LOWER HINGE ASSEMBLY	HA-522-R-K	2
5	TORSION MECHANISM	HA-479	2
6	DOOR HANDLE	HA-632-K*	2

NOTE:

NOT REVERSIBLE DOOR

*Parts Change With Serial Number Break						
ITEM No.	Description	Interchangeable	Previous Component	Hoshizaki Last Serial Number and Earlier	Current Component	Hoshizaki First Serial Number and Later
6	DOOR HANDLE	NO	OT-HA-676	K-00922 (H)	HA-632-K	K-00311(M)

LIGHTING SYSTEM



LIGHTING SYSTEM

<i>Item No.</i>	<i>Description</i>	<i>Part No.</i>	<i>Quantity per cooler</i>
1	HIGH INTENSITY FLEXIBLE LED STRIP (53 1/4")	OT-EL-170-53.25	1
2	LED LAMP STRIP (39 3/8")	EL-148	4
3	LED DRIVER (2.5 Amp.)	OT-EL-150-T	1
4	LIGHT SWITCH	EL-305	1
5	ACRYLIC HEADER SIGN	ROT-0135	1