



HOSHIZAKI

Parts List

Glass Door Merchandiser

Model

RM-65-HC

RM-65-HC-WH

RM-65-HC-BLK

hoshizakiamerica.com

Number: RM-65-HC
Issued: 07-27-2018
Revised: 08-23-2024

TABLE OF CONTENTS

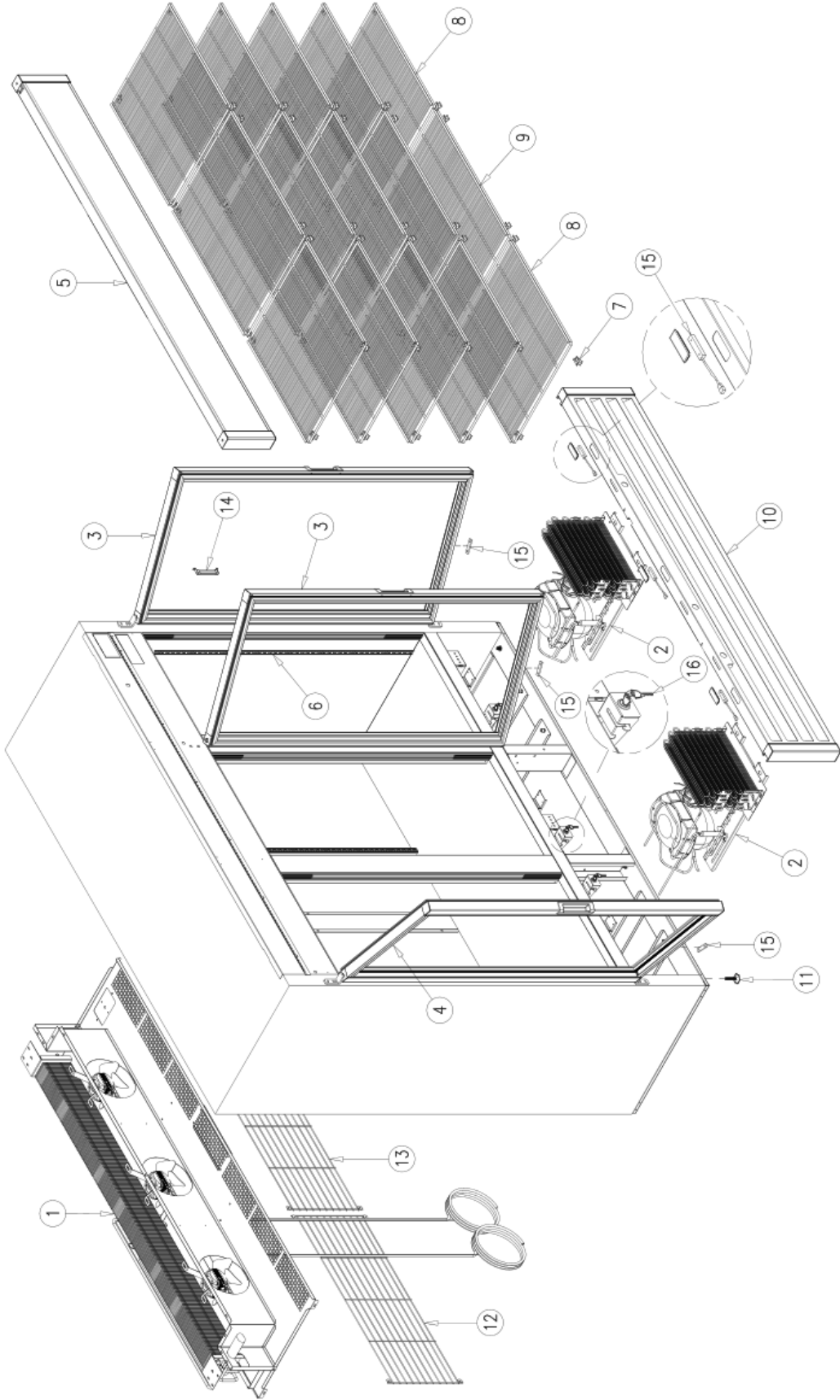
MAIN ASSEMBLY	3
EVAPORATOR ASSEMBLY	5
CONDENSING UNIT ASSEMBLY	7
DOOR ASSEMBLY	9
LIGHTING SYSTEM.....	11

NOTE:

To order spare parts, always include the following information:

- *Model Number* _____
- *Serial Number* _____

MAIN ASSEMBLY



RM-65-HC

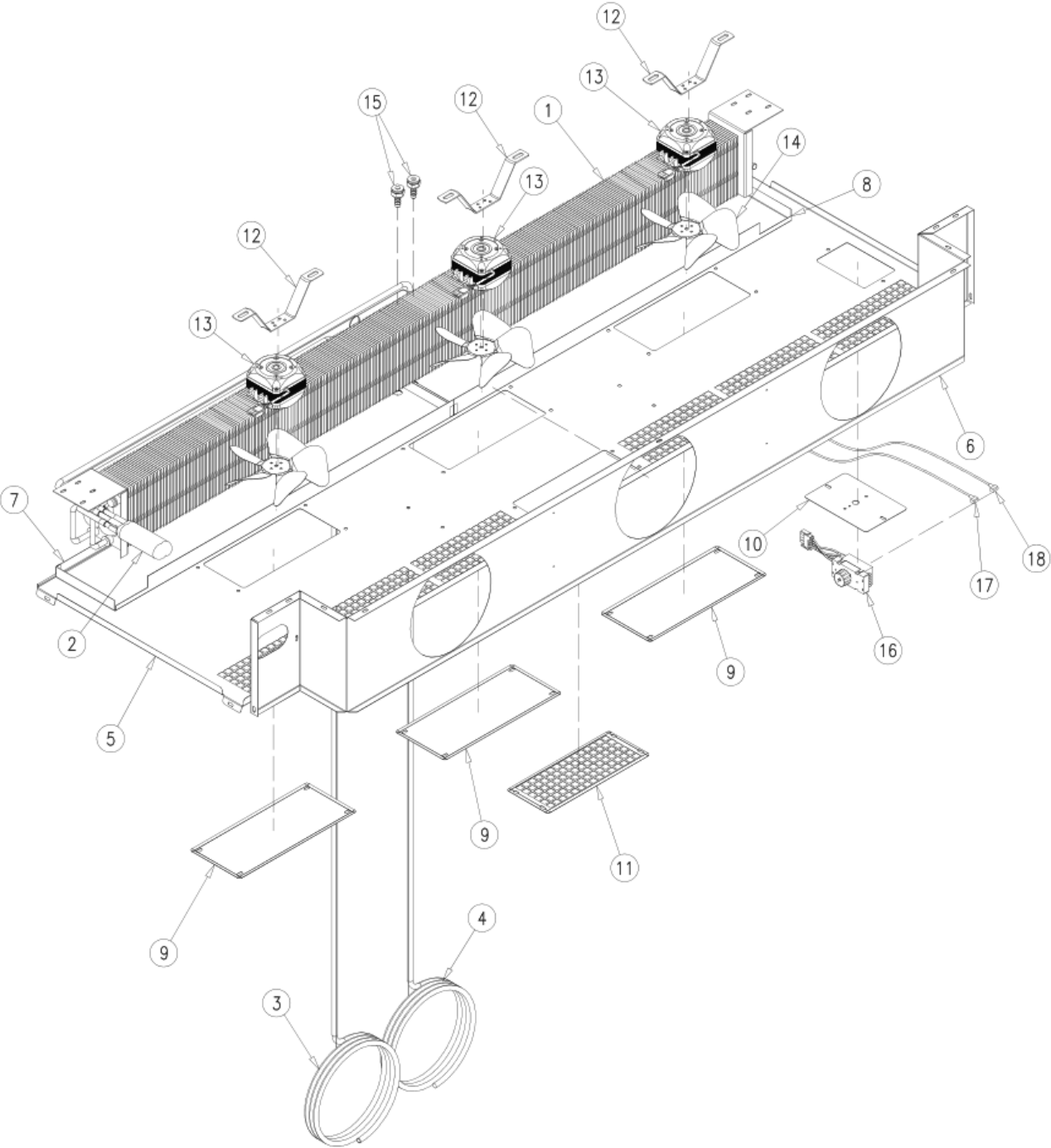
MAIN ASSEMBLY

<i>Item No.</i>	<i>Description</i>	<i>Part No.</i>	<i>Quantity</i>
1	EVAPORATOR ASSEMBLY	OT-EV-0118	1
2	CONDENSING UNIT ASSEMBLY	OT-UN-0349	2
3	RIGHT DOOR ASSEMBLY	OT-PT-0646* OT-PT-0646-WH OT-PT-0646-BLK	2
4	LEFT DOOR ASSEMBLY	OT-PT-0647* OT-PT-0647-WH OT-PT-0647-BLK	1
5	HEADER SIGN	OT-RT-0377* OT-RT-0377-WH OT-RT-0377-BLK	1
6	PILASTER 48"	PI-5	12
7	SHELF CLIPS	CL-51-SS-E	60
8	RIGHT & LEFT FLAT SHELF	SH-0502-HD-FE-MA	10
9	MIDDLE FLAT SHELF	SH-0502-C-HD-FE-MA	5
10	FRONT GRILL	OT-CM-0549* OT-CM-0549-WH OT-CM-0549-BLK	1
11	LEGS	LG-27	8
12	RIGHT BACK GRILL	SH-0259-D-G-GR	1
13	LEFT BACK GRILL	SH-0510-I-G-GR	1
14	THERMOMETER	TH-1-E	1
15	DOOR SWITCH	EL-306*	3
16	LOCK AND KEY SET	HA-471-G-K	3

*Parts Change With Serial Number Break

ITEM No.	Description	Inter-change-able	Previous Component	Hoshizaki Last Serial Number and Earlier	Current Component	Hoshizaki First Serial Number and Later
3	RIGHT DOOR ASSEMBLY	NO	OT-PT-0573	K-00999 (G)	OT-PT-0646	L-00127 (D)
4	LEFT DOOR ASSEMBLY	NO	OT-PT-0517	K-00999 (G)	OT-PT-0647	L-00127 (D)
5	HEADER SIGN	NO	OT-RT-0224	K-00999 (G)	OT-RT-0377	L-00127 (D)
10	FRONT GRILL	NO	OT-CM-0292	K-00999 (G)	OT-CM-0549	L-00127 (D)
12	RIGHT BACK GRILL	YES	SH-0259-D-G-B	J-00004(M)	SH-0259-D-G-GR	J-00017(M)
13	LEFT BACK GRILL	YES	SH-0510-I-G-B	J-00004(M)	SH-0510-I-G-GR	J-00017(M)
15	DOOR SWITCH	YES	EL-360	J-00014 (D)	EL-306	J-00001 (M)

EVAPORATOR ASSEMBLY



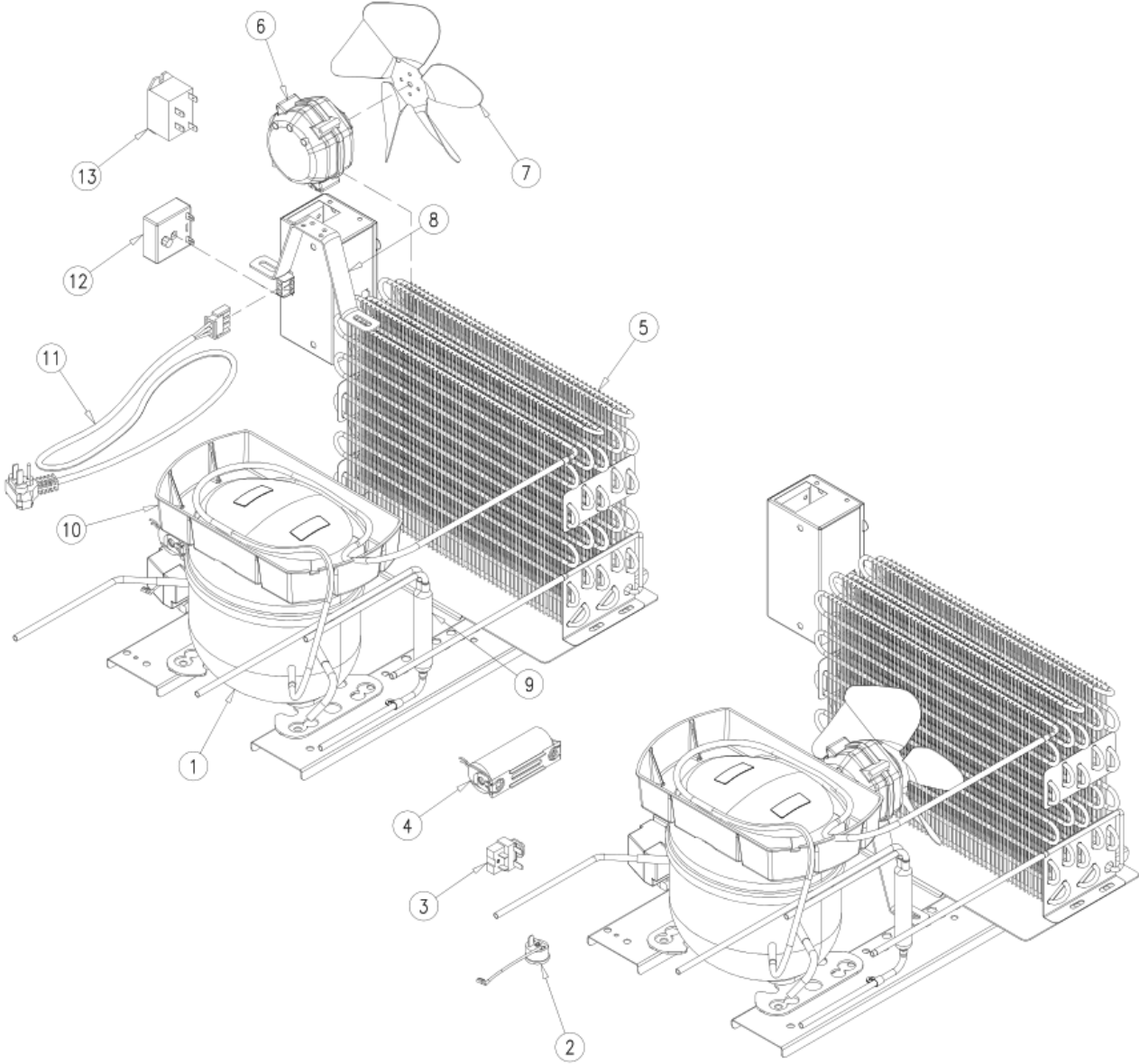
EVAPORATOR ASSEMBLY

Item No.	Description	Part No.	Quantity
1	EVAPORATOR	CO-309	1
2	ACCUMULATOR	DR-19-C	2
3	#1 HEAT EXCHANGER	TUB-1105	1
4	#2 HEAT EXCHANGER	TUB-1104	1
5	SHROUD	OT-20255	1
6	AIR DIFFUSER	OT-8456	1
7	EVAPORATOR DRAIN PAN A	OT-8455	1
8	EVAPORATOR DRAIN PAN B	OT-9852	1
9	SHROUD COVER A	OT-10968	3
10	CONTROL MODULE BRACKET	OT-20868	1
11	SHROUD COVER B	OT-20454	1
12	EVAPORATOR FAN MOTOR BRACKET	FA-39	3
13	EVAPORATOR FAN MOTOR	FA-124-SW*	3
14	EVAPORATOR FAN BLADE	FA-2-SW*	3
15	DRAIN FITTING	DR-1-P	2
16	CONTROL MODULE	CT-198-CO-324 (K)**	1
17	CABINET THERMISTOR	CT-180-3-CO	1
18	DEFROST THERMISTOR	CT-180-4-CO	1

** THE PART NUMBER CT-198-CO-324 (K) INCLUDES:
CONTROL MODULE CT-198-CO-324
CONTROL MODULE HARNESS [OT-AR-5583](#)
CABINET THERMISTOR [CT-180-3-CO](#)
DEFROST THERMISTOR [CT-180-4-CO](#)
DOOR SWITCH HARNESS [OT-AR-3448](#)

*Parts Change With Serial Number Break						
ITEM No.	Description	Inter-changeable	Previous Component	Hoshizaki Last Serial Number and Earlier	Current Component	Hoshizaki First Serial Number and Later
13	EVAPORATOR FAN MOTOR	YES	OT-FA-1-EBM-0396	N-00014(C)	FA-124-SW	N-00443(H)
14	EVAPORATOR FAN BLADE	YES	FA-2-EBM	L-00146(D)	FA-2-SW	L-01153(G)
16	CONTROL MODULE	YES	CT-198-SOL-138	M-00121(H)	CT-198-CO-324	N-00001(C)
	CONTROL MODULE	NO	CT-194-SOL-078	L-01194(G)	CT-198-SOL-138	L-00710(L)
17	CABINET THERMISTOR	NO	CT-196-2-SOL	M-00121(H)	CT-180-3-CO	N-00001(C)
18	DEFROST THERMISTOR	NO	CT-196-2-SOL	M-00121(H)	CT-180-4-CO	N-00001(C)

CONDENSING UNIT ASSEMBLY



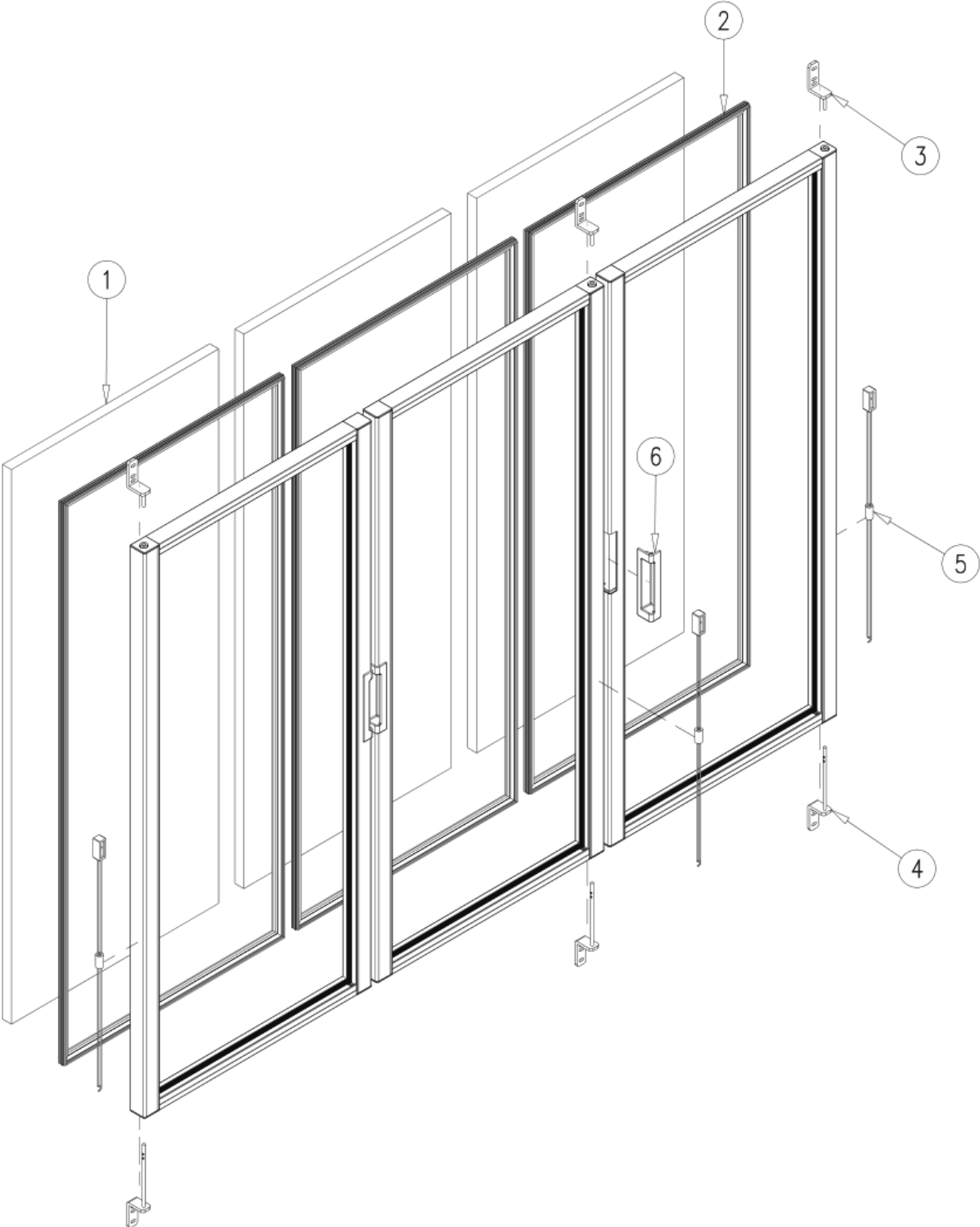
CONDENSING UNIT ASSEMBLY

<i>Item No.</i>	<i>Description</i>	<i>Part No.</i>	<i>Quantity</i>
1	COMPRESSOR (1/3HP 115V/60HZ R-290)	EM2X3125U	2
2	EXTERNAL PROTECTOR (CP4TMC460N61)	EL-2077-R	2
3	PTC RELAY (7M4R7MD3)	EL-2076-R	2
4	RUN CAPACITOR (20 μ F 180V)	CAP-20-180	2
5	CONDENSER	CO-453-L*	2
6	CONDENSER FAN MOTOR	FA-124-SW*	2
7	CONDENSER FAN BLADE	FA-2-SW*	2
8	CONDENSER FAN MOTOR BRACKET	FA-18	2
9	DRIER	DR-31	2
10	COMPRESSOR EVAPORATION TRAY	DP-6	2
11	POWER CORD (9 ft)	EL-1260-9	1
12	DELAY-ON-MAKER TIMER	EL-18-G	1
13	MAGNETIC CONTACTOR	EL-716-R	1

*Parts Change With Serial Number Break

ITEM No.	Description	Inter-changeable	Previous Component	Hoshizaki Last Serial Number and Earlier	Current Component	Hoshizaki First Serial Number and Later
5	CONDENSER	YES	CO-453	M-00121(H)	CO-453-L	N-00001(C)
6	CONDENSER FAN MOTOR	YES	OT-FA-1-EBM-0396	N-00014(C)	FA-124-SW	N-00443(H)
7	CONDENSER FAN BLADE	YES	FA-2-EBM	L-00146(D)	FA-2-SW	L-01153(G)

DOOR ASSEMBLY



DOOR ASSEMBLY

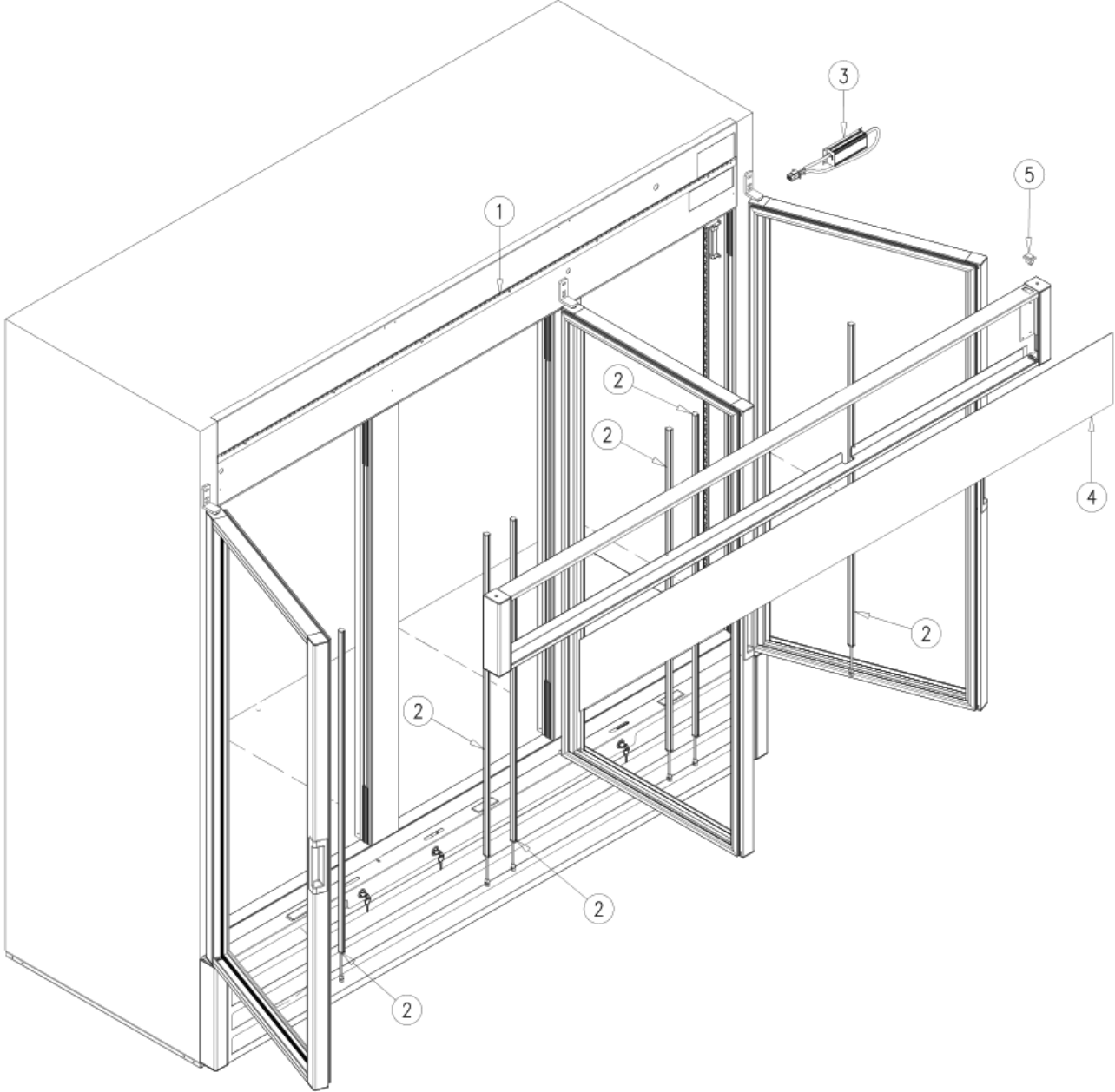
<i>Item No.</i>	<i>Description</i>	<i>Part No.</i>	<i>Quantity</i>
1	GLASS PANE	GL-717-AD-EA	3
2	MAGNETIC GASKET	OT-GA-900-PT-0646	3
3	UPPER HINGE ASSEMBLY	HA-535-R-K	3
4	LOWER HINGE ASSEMBLY	HA-522-R-K	3
5	TORSION MECHANISM	HA-479	3
6	DOOR HANDLE	HA-632-K*	3

NOTE:

NOT REVERSIBLE DOOR

*Parts Change With Serial Number Break						
ITEM No.	Description	Interchangeable	Previous Component	Hoshizaki Last Serial Number and Earlier	Current Component	Hoshizaki First Serial Number and Later
6	DOOR HANDLE	NO	OT-HA-676	K-00999(G)	HA-632-K	L-00127(D)

LIGHTING SYSTEM



LIGHTING SYSTEM

<i>Item No.</i>	<i>Description</i>	<i>Part No.</i>	<i>Quantity</i>
1	HIGH INTENSITY FLEXIBLE LED STRIP (72")	OT-EL-170-72	1
2	LED LAMP STRIP (39 3/8")	EL-148	6
3	LED DRIVER (5.0 Amp.)	OT-EL-157-T	1
4	ACRYLIC HEADER SIGN	OT-ROT-0150	1
5	LIGHT SWITCH	EL-305	1