



HOSHIZAKI

Parts List

Glass Door Merchandiser

Model

RM-7-HC

RM-7-HC-WH

RM-7-HC-BLK

TABLE OF CONTENTS

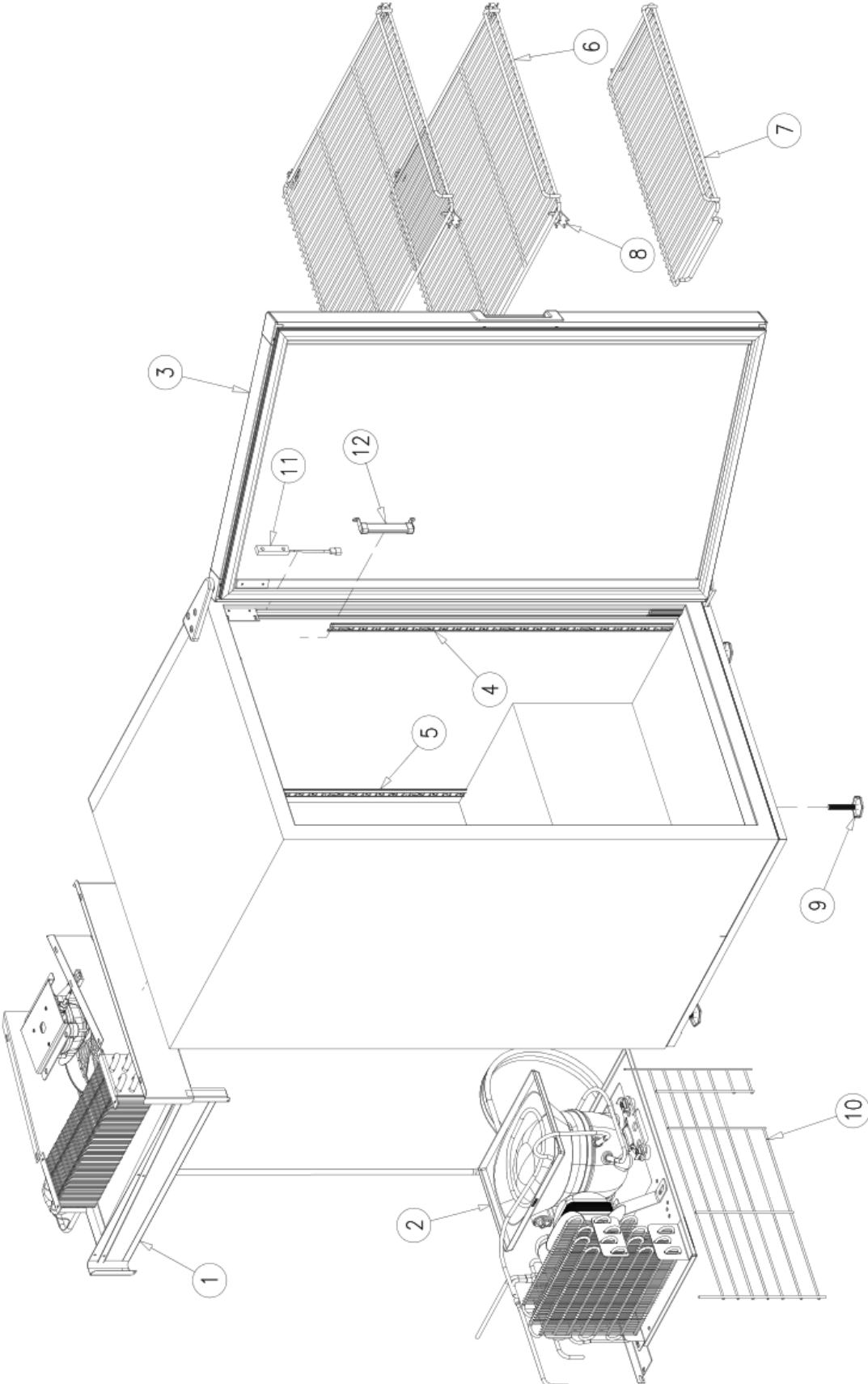
MAIN ASSEMBLY	3
EVAPORATOR ASSEMBLY	5
CONDENSING UNIT ASSEMBLY	7
DOOR ASSEMBLY	9
LIGHTING SYSTEM.....	11

NOTE:

To order spare parts, always include the following information:

- *Model Number* _____
- *Serial Number* _____

MAIN ASSEMBLY



RM-7-HC

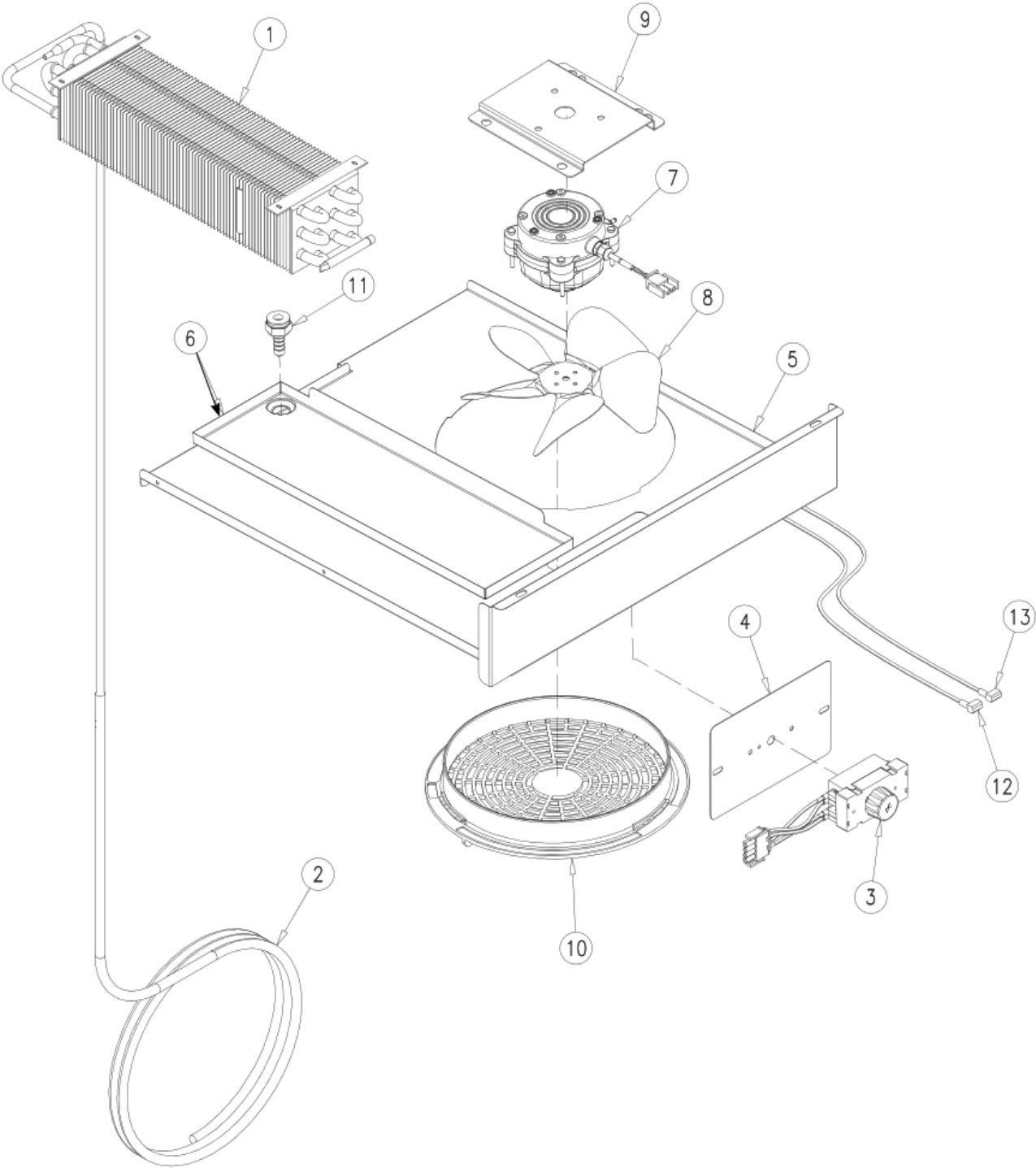
MAIN ASSEMBLY

<i>Item No.</i>	<i>Description</i>	<i>Part No.</i>	<i>Quantity per cooler</i>
1	EVAPORATOR ASSEMBLY	OT-EV-0024	1
2	CONDENSING UNIT ASSEMBLY	OT-UN-0028	1
3	DOOR ASSEMBLY	PT-0614-GREY-D* PT-0614-WH63501-D PT-0614-B-D	1
4	PILASTER (648mm)	PI-74-48-648	2
5	PILASTER (433mm)	PI-74-48-433	2
6	FLAT SHELF WITH FRONT RAILING	SH-169-G-FE	2
7	FLOOR FLAT SHELF WITH FRONT RAILING	SH-170-G-FE	1
8	SHELF CLIPS	CL-51-SS-E	8
9	LEGS	LG-27	4
10	BACK GRILL	SH-0278-G-GR*	1
11	DOOR SWITCH	EL-306*	1
12	THERMOMETER	TH-1-E	1

*Parts Change With Serial Number Break

ITEM No.	Description	Interchangeable	Previous Component	Hoshizaki Last Serial Number and Earlier	Current Component	Hoshizaki First Serial Number and Later
3	DOOR ASSEMBLY	NO	OT-PT-0414	J-00065(F)	OT-PT-0614	K-00157(L)
10	BACK GRILL	YES	SH-0278-G-B	J-00065(F)	SH-0278-G-GR	K-00157(L)
11	DOOR SWITCH	YES	EL-360	J-00065(F)	EL-306	K-00157(L)

EVAPORATOR ASSEMBLY



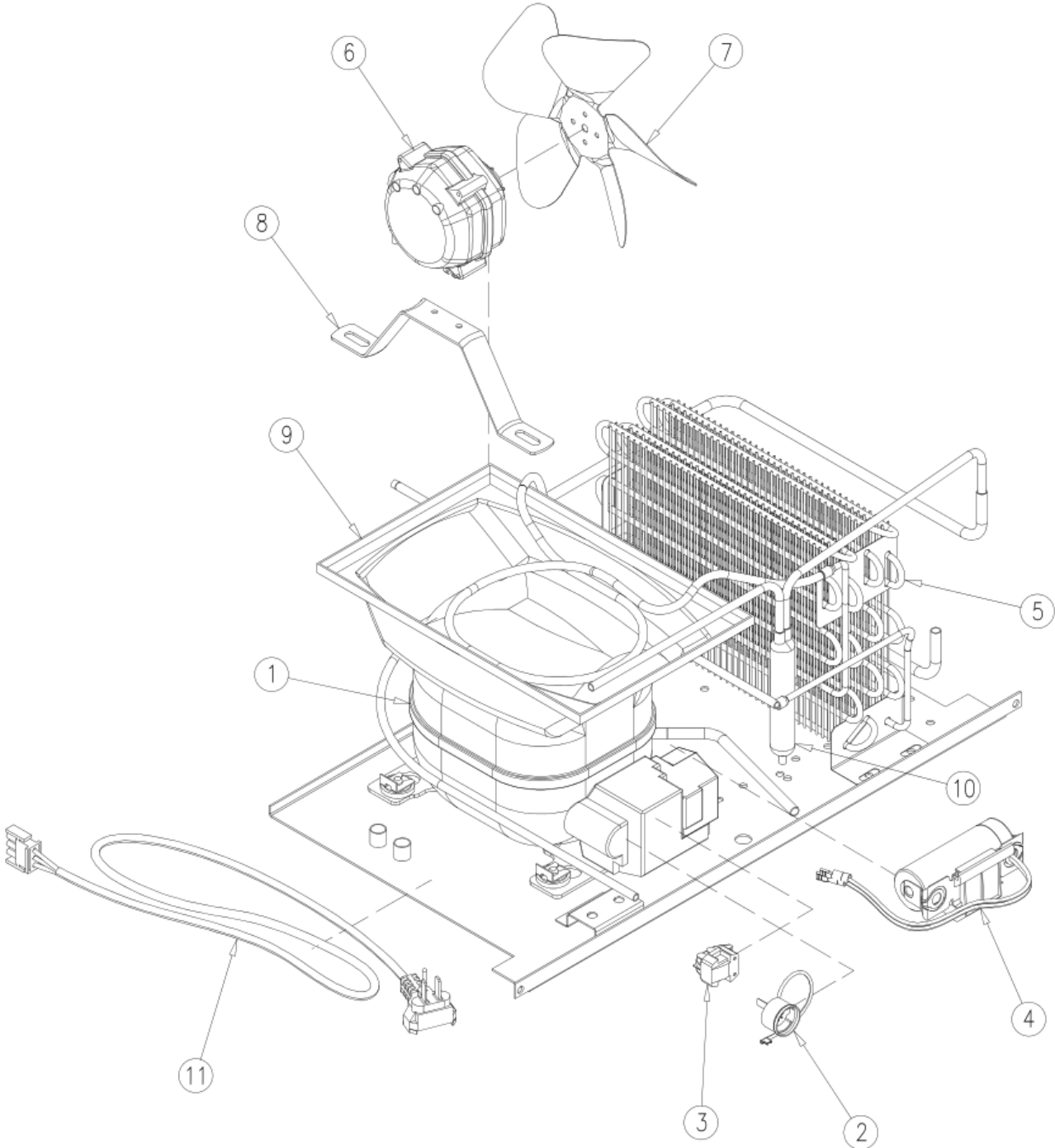
EVAPORATOR ASSEMBLY

<i>Item No.</i>	<i>Description</i>	<i>Part No.</i>	<i>Quantity per cooler</i>
1	EVAPORATOR	CO-253	1
2	HEAT EXCHANGER	TUB-0869	1
3	CONTROL MODULE	CT-198-CO-324-K**	1
4	CONTROL MODULE BRACKET	OT-21660	1
5	SHROUD	OT-26807*	1
6	DRAIN PAN	OT-8785	1
7	EVAPORATOR FAN MOTOR	FA-122-SW-1800-0366*	1
8	EVAPORATOR FAN BLADE	FA-2-SW*	1
9	EVAPORATOR FAN MOTOR BRACKET	OT-9792	1
10	FAN GUARD	FA-123-B*	1
11	DRAIN FITTING	DR-1-P	1
12	CABINET THERMISTOR	CT-180-3-CO*	1
13	DEFROST THERMISTOR	CT-180-4-CO*	1

** THE PART NUMBER CT-198-CO-324-K INCLUDES:
CONTROL MODULE CT-198-CO-324
CONTROL MODULE HARNESS [OT-AR-5583](#)
CABINET THERMISTOR [CT-180-3-CO](#)
DEFROST THERMISTOR [CT-180-4-CO](#)
DOOR SWITCH HARNESS [OT-AR-3448](#)

*Parts Change With Serial Number Break						
ITEM No.	Description	Interchangeable	Previous Component	Hoshizaki Last Serial Number and Earlier	Current Component	Hoshizaki First Serial Number and Later
3	CONTROL MODULE	YES	CT-198-SOL-138	M-00626(B)	CT-198-CO-324-K	N-00235(B)
		YES	CT-194-SOL-078	L-00511(L)	CT-198-SOL-138	L-00512(L)
5	SHROUD	NO	OT-22435	N-00291(B)	OT-26807	P-00022(B)
7	EVAPORATOR FAN MOTOR	YES	FA-41	M-00626(B)	FA-122-SW-1800-0366	N-00235(B)
8	EVAPORATOR FAN BLADE	YES	FA-2-EBM	L-01324(G)	FA-2-SW	L-00625(J)
10	FAN GUARD	NO	FA-62	N-00291(B)	FA-123-B	P-00022(B)
12	CABINET THERMISTOR	NO	CT-196-2-SOL	M-00626(B)	CT-180-3-CO	N-00235(B)
13	DEFROST THERMISTOR	NO	CT-196-2-SOL	M-00626(B)	CT-180-4-CO	N-00235(B)

CONDENSING UNIT ASSEMBLY



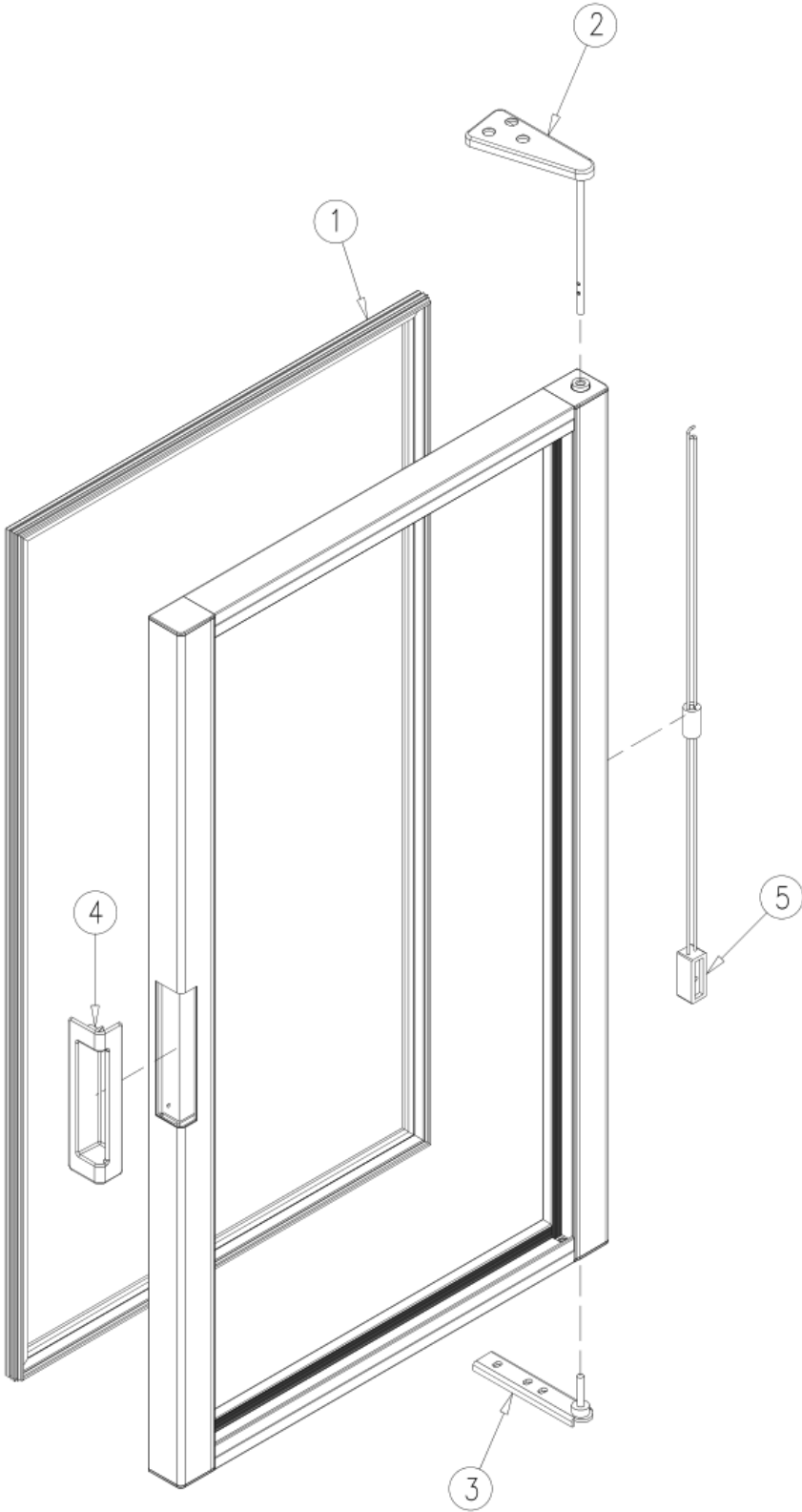
CONDENSING UNIT ASSEMBLY

<i>Item No.</i>	<i>Description</i>	<i>Part No.</i>	<i>Quantity per cooler</i>
1	COMPRESSOR (1/6HP 115V/60HZ R-290)	EM2U3111U	1
2	EXTERNAL PROTECTOR (4TM302KFBYY-53)	EL-2107-R	1
3	PTC RELAY (8EA14C3/8EA14E62)	EL-2076-R	1
4	RUN CAPACITOR (12 µF 180 V)	CAP-12-180	1
5	CONDENSER	CO-451	1
6	CONDENSER FAN MOTOR	FA-122-SW-1800-0396*	1
7	CONDENSER FAN BLADE	FA-2-SW*	1
8	CONDENSER FAN MOTOR BRACKET	FA-39	1
9	DRAIN PAN	DP-6	1
10	DRIER	DR-31	1
11	POWER CORD (9 ft)	EL-1260-9*	1

*Parts Change With Serial Number Break

ITEM No.	Description	Interchangeable	Previous Component	Hoshizaki Last Serial Number and Earlier	Current Component	Hoshizaki First Serial Number and Later
6	CONDENSER FAN MOTOR	YES	FA-41	M-00626(B)	FA-122-SW-1800-0396	N-00235(B)
7	CONDENSER FAN BLADE	YES	FA-2-EBM	L-01324(G)	FA-2-SW	L-00625(J)
11	POWER CORD	YES	OT-EL-1265-9-4784	N-00291(B)	EL-1260-9	P-00022(B)

DOOR ASSEMBLY



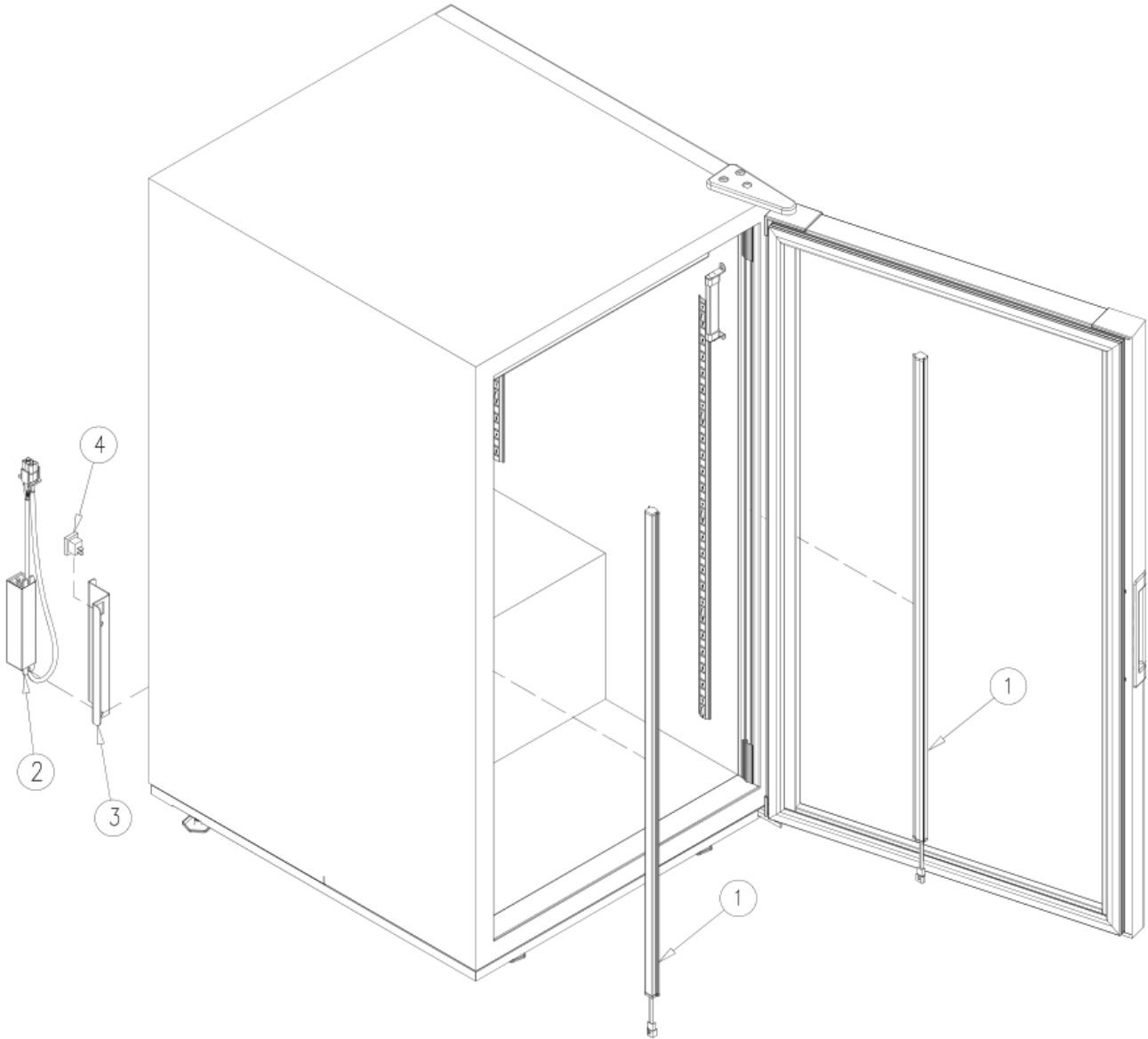
DOOR ASSEMBLY

<i>Item No.</i>	<i>Description</i>	<i>Part No.</i>	<i>Quantity per cooler</i>
1	MAGNETIC GASKET	OT-GA-900-PT-0614	1
2	UPPER HINGE ASSEMBLY	HA-496-R	1
3	LOWER HINGE ASSEMBLY	HA-495-R	1
4	DOOR HANDLE	HA-632-K*	1
5	TORSION MECHANISM	HA-479	1

***Parts Change With Serial Number Break**

ITEM No.	Description	Interchangeable	Previous Component	Hoshizaki Last Serial Number and Earlier	Current Component	Hoshizaki First Serial Number and Later
5	DOOR HANDLE	NO	HA-627-K	J-00065(F)	HA-632-K	K-00157(L)

LIGHTING SYSTEM



LIGHTING SYSTEM

<i>Item No.</i>	<i>Description</i>	<i>Part No.</i>	<i>Quantity per cooler</i>
1	LED LAMP STRIP (29 9/16")	EL-147	2
2	LED DRIVER (1.25 Amp)	OT-EL-151-T	1
3	LIGHT SWITCH BRACKET	OT-22581	1
4	LIGHT SWITCH	EL-305	1