



HOSHIZAKI

Parts List

Cabinet Stand

Models

SD-200

SD-270

SD-271

SD-450

SD-500

SD-700

SD-750



hoshizakiamerica.com

Number: 71361
Issued: 3-13-2015
Revised: 2-15-2022

CONTENTS

Auxiliary Codes.....	3
Note About Ordering Parts	5
A. Cabinet Stand Assembly	6
SD-200, SD-450, SD-500, SD-700, SD-750	6
SD-270, SD-271	7
B. Door Assemblies	9
SD-200, SD-500, SD-750.....	9
SD-270, SD-271	10
C. Accessories	12

Auxiliary Codes

SD-200

R-5 January 2006
R-6 December 2006
S-5 January 2007
T-5 February 2008
U-5 February 2009
V-5 January 2010
A-5 January 2011
B-5 January 2012
C-5 January 2013
D-5 February 2014
E-5 January 2015
F-5 August 2017
G-5 January 2017
H-5 January 2018
J-5 January 2019
K-5 January 2020
L-5 January 2021
M-5 January 2022

SD-270

R-5 January 2006
R-6 November 2006
S-5 January 2007
T-5 January 2008
U-5 January 2009
V-5 January 2010
A-5 January 2011
B-5 January 2012
C-5 January 2013
D-5 February 2014
E-5 January 2015
F-5 July 2017
G-5 January 2017
H-5 January 2018
J-5 January 2019
K-5 January 2020

SD-271

K-5 December 2020
L-5 January 2021
M-5 January 2022

SD-450

R-5 January 2006
R-6 November 2006
S-5 January 2007
T-5 January 2008
U-5 January 2009
V-5 January 2010
A-5 January 2011
B-5 January 2012
C-5 January 2013
D-5 March 2014
E-5 January 2015
F-5 February 2016
G-5 January 2017

SD-500

R-5 January 2006
R-6 November 2006
S-5 January 2007
T-5 January 2008
U-5 February 2009
V-5 January 2010
A-5 January 2011
B-5 January 2012
C-5 January 2013
D-5 January 2014
E-5 January 2015
F-5 July 2016
G-5 January 2017
H-5 January 2018
J-5 January 2019
K-5 January 2020
L-5 January 2021
M-5 January 2022

Auxiliary Codes continued

SD-700

R-5 January 2006
S-5 March 2007
T-5 April 2008
U-5 March 2009
V-5 February 2010
A-5 March 2011
B-5 March 2012
C-5 January 2013
D-5 July 2014
E-5 January 2015
F-5 February 2016
G-5 February 2017

SD-750

R-5 January 2006
R-6 December 2006
S-5 February 2007
T-5 January 2008
U-5 January 2009
V-5 March 2010
A-5 February 2011
B-5 January 2012
C-5 January 2013
D-5 January 2014
E-5 February 2015
F-5 July 2016
G-5 January 2017
H-5 January 2018
J-5 January 2019
K-5 January 2020
L-5 January 2021
M-5 January 2022

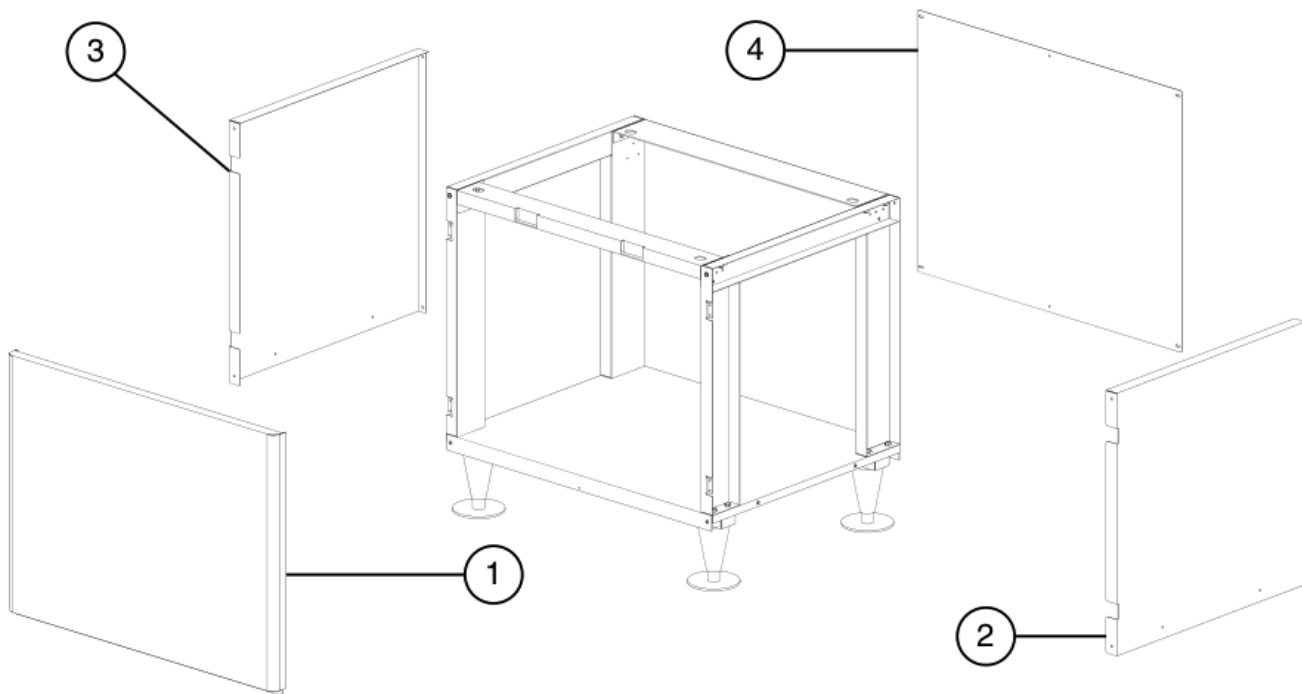
Auxiliary Code Breakdown

The auxiliary code is the first two characters in the serial number. The first character indicates the year. Years progress or regress in alphabetical order. The series runs from "A" through "V" and the letters "I" and "O" are skipped. The second character indicates significant part changes within a year. Base is "5" and this number advances for each change. In cases where there is a letter in parentheses, this designates the month. This is the last character in the serial number. The series runs from "(A)" through "(M)" and the letter "(I)" is skipped. This designation is only included when identifying a parts change within an auxiliary code.

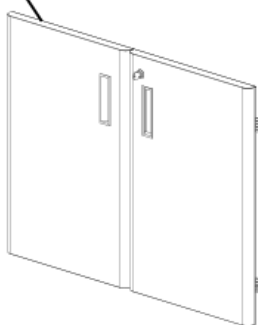
Note About Ordering Parts

Most assemblies cannot be ordered as complete units; parts in the assemblies generally must be ordered separately.

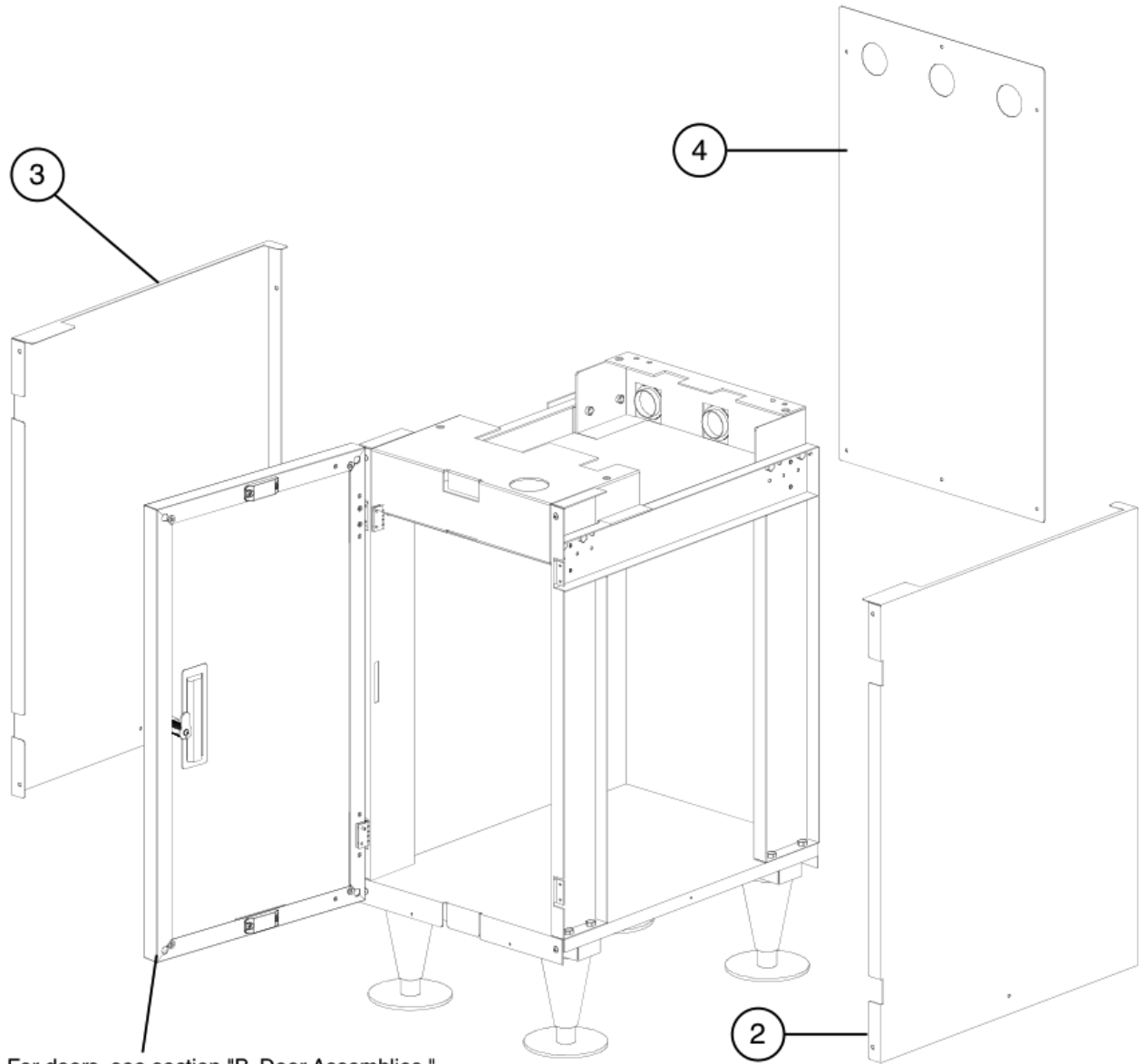
A. Cabinet Stand Assembly
SD-200, SD-450, SD-500, SD-700, SD-750
1/2
R-5 to M-5



For doors, see section "B. Door Assemblies."



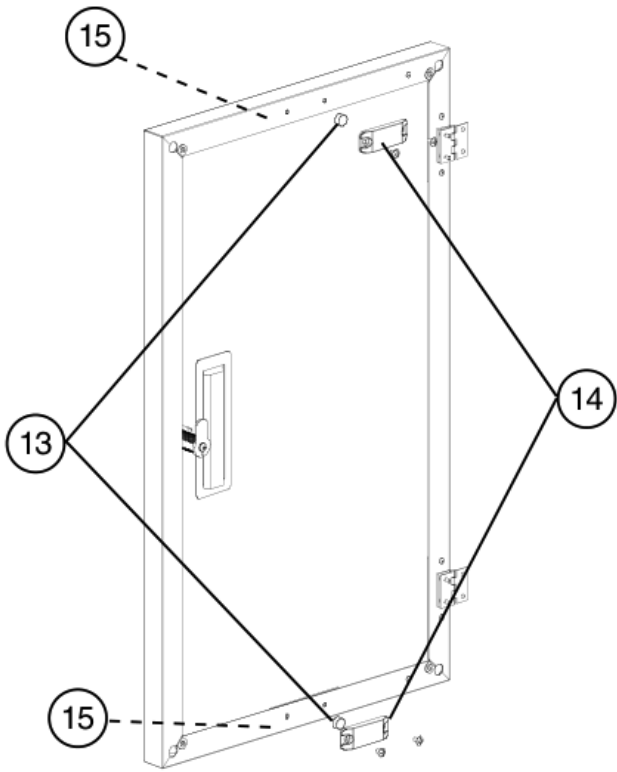
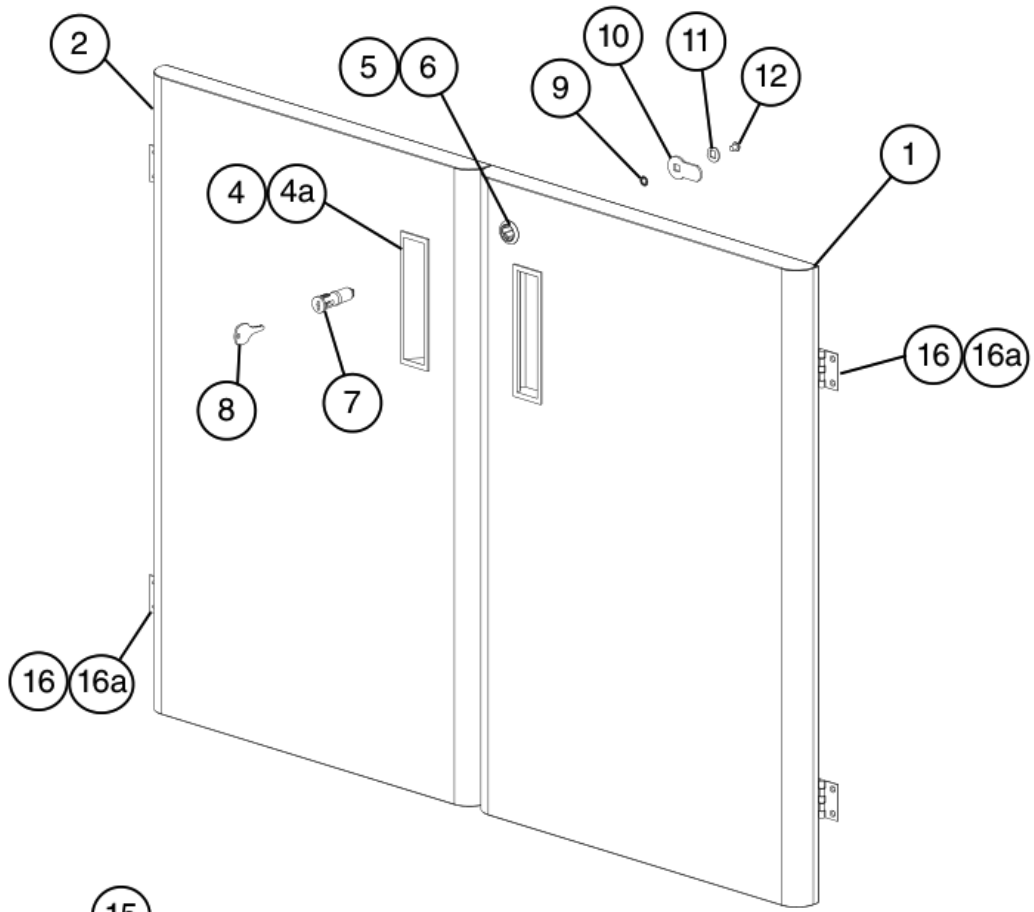
A. Cabinet Stand Assembly
SD-270, SD-271
2/2
R-5 to M-5



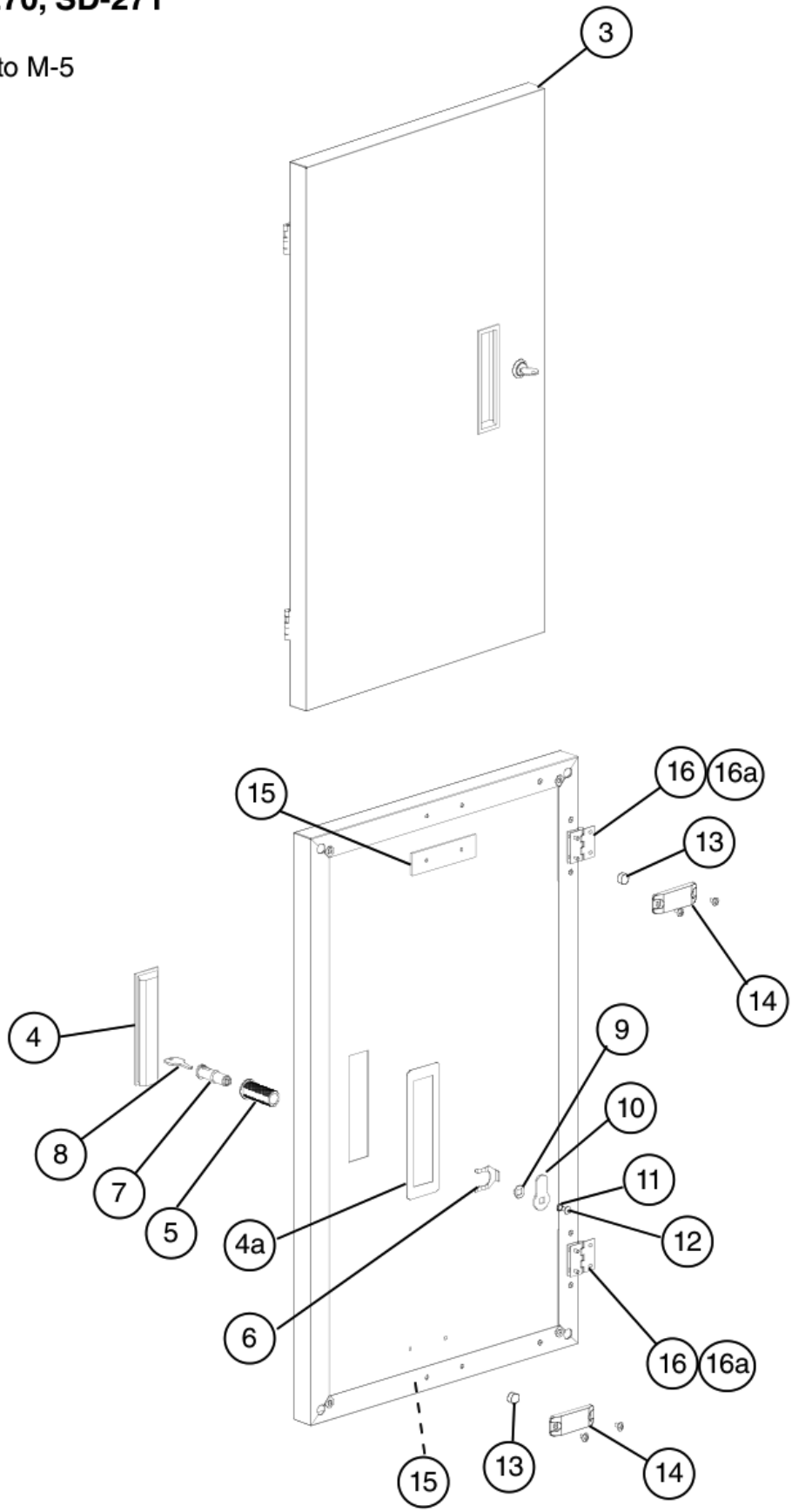
For doors, see section "B. Door Assemblies."

Title: A. Cabinet Stand Assembly Model: SD-200, SD-270, SD-271, SD-450, SD-500, SD-700, SD-750												
Index No.	Description	Material or Model Number	Part Number	Required Number								
				R-5 to M-5								
1	Front Panel	SD-450	2A8363G01	1								
		SD-700	2A4003-01	1								
2	Right Side Panel	SD-200	3A4244-01	1								
		SD-270, SD-271	3A3765-01	1								
		SD-450 SD-500	3A3700-01	1								
		SD-700	3A3677-01	1								
		SD-750	3A4244-01	1								
3	Left Side Panel	SD-200	3A4243-01	1								
		SD-270, SD-271	3A3766-01	1								
		SD-450 SD-500	3A3701-01	1								
		SD-700	3A3678-01	1								
		SD-750	3A4243-01	1								
4	Rear Panel	SD-200	3A3802-01	1								
		SD-270, SD-271	3A3767-01	1								
		SD-450 SD-500	3A3702-01	1								
		SD-700 SD-750	3A3679-01	1								

B. Door Assemblies
SD-200, SD-500, SD-750
1/2
R-5 to M-5



B. Door Assemblies
SD-270, SD-271
2/2
R-5 to M-5



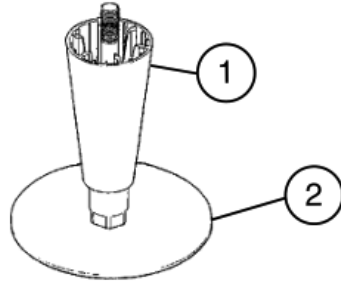
Title: B. Door Assemblies Model: SD-200, SD-270, SD-271, SD-500, SD-750

Index No.	Description	Material or Model Number	Part Number	Required Number									
				R-5 to J-5	K-5 to M-5								
1	Right Door Assembly (includes items 4 through 15)	SD-200	3A3805A01	1	1								
		SD-500	3A3705A01	1	1								
		SD-750	3A3688A01	1	1								
2	Left Door Assembly (includes items 4 through 15)	SD-200	3A3806A01	1	1								
		SD-500	3A3706A01	1	1								
		SD-750	3A3689A01	1	1								
3	Door Assembly (includes items 4 through 15)	SD-270	3A3770A01	1	1								
		SD-271	3B0163A01		1								
4	Door Handle		4a1327-01	1	1								
4a	Door Handle Plate		4A3877-01	1	1								
5	Lock Cylinder		4A0456-01	1	1								
6	Lock Cylinder Clip		4A0457-01	1	1								
7	Lock Tumbler (includes item 5)		4A0462-01	1	1								
8	Lock Key		4A0460-01	1	1								
9	Lock Washer		4A0459-01	1	1								
10	Lock Stop Washer		4A0458-01	1	1								
11	Door Lock Cam		4A0228-01	1	1								
12	Lock Screw		4A0461-01	1	1								
13	Magnet		4A4686-01	2	2								
14	Magnet Holder		4Y0203-01	2	2								
15	Bracket B		4A3899-01	2	2								
16	Door Hinge	SD-200, SD-500, SD-750	4A3879-01	4	4								
		SD-270, SD-271		2	2								
16a	Flat Head Screw 4x8	SD-200, SD-500, SD-750	7C22-0408	8	8								
		SD-270, SD-271		4	4								

C. Accessories

SD-200, SD-270, SD-271, SD-450, SD-500, SD-700, SD-750

R-5 to M-5



Title: C. Accessories Model: SD-200, SD-270, SD-271, SD-500, SD-700, SD-750												
Index No.	Description	Material or Model Number	Part Number	Required Number								
				R-5 to M-5								
1	Adjustable Leg		4A2526-01	4								
2	Leg Protector		3A0134-01	4								