



# HOSHIZAKI

## Parts List

### Condensing Unit

Models

SRC-14H



[hoshizakiamerica.com](http://hoshizakiamerica.com)

Number: 71334  
Issued: 7-18-2011  
Revised: 3-xx-2022

## CONTENTS

|  |   |
|--|---|
| Auxiliary Codes.....                           | 3 |
| Note About Ordering Parts .....                | 3 |
| A. Main Assembly & Refrigeration Circuit ..... | 4 |
| B. Control Box Assembly.....                   | 6 |
| C. Accessories & Labels .....                  | 7 |

## **Auxiliary Codes**

### **SRC-14H**

|     |               |
|-----|---------------|
| A-0 | June 2011     |
| B-0 | January 2012  |
| B-1 | February 2012 |
| C-0 | January 2013  |
| D-0 | January 2014  |
| E-0 | February 2015 |
| F-0 | January 2016  |
| G-0 | April 2017    |

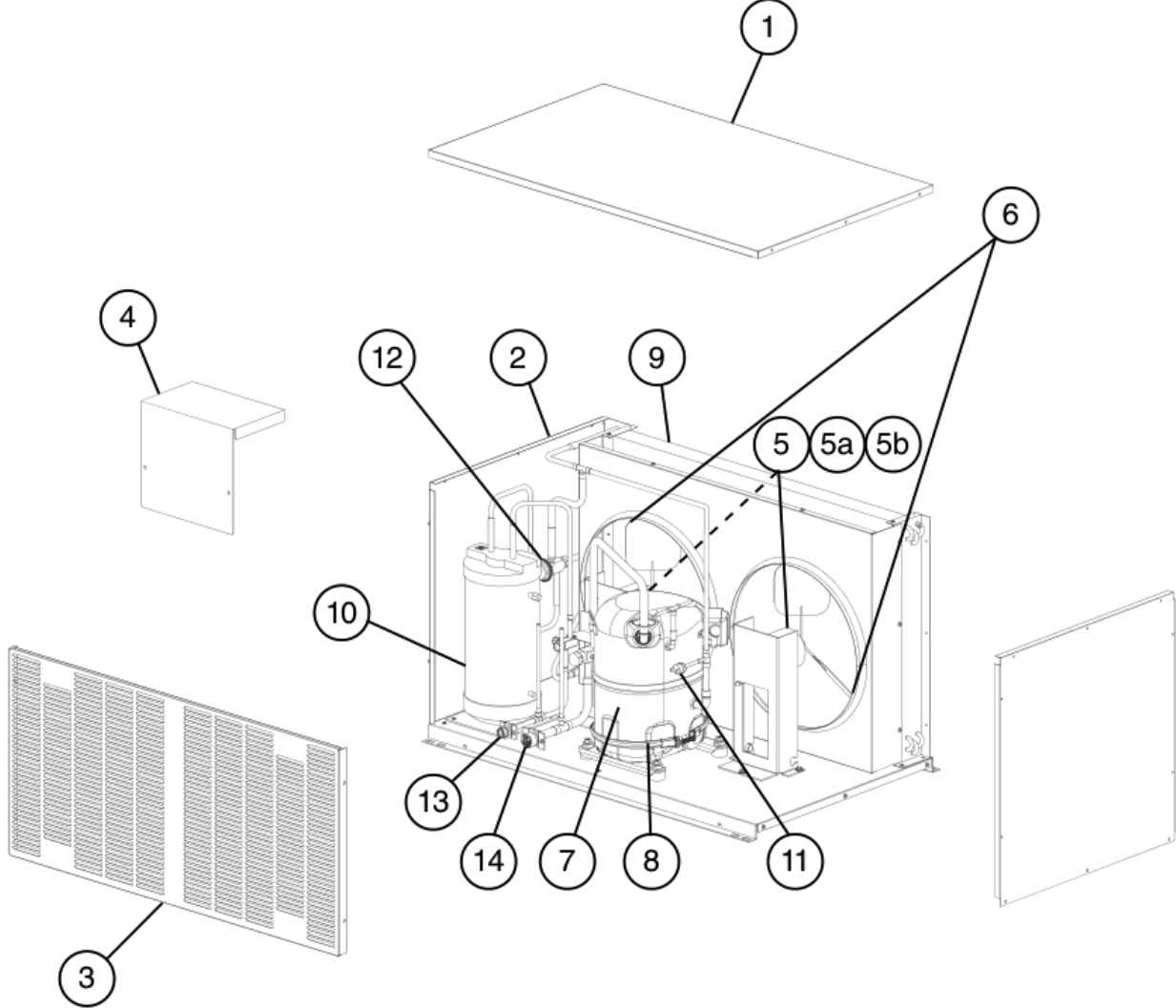
## **Auxiliary Code Breakdown**

The auxiliary code is the first two characters in the serial number. The first character indicates the year. Years progress or regress in alphabetical order. The series runs from "A" through "V" and the letters "I" and "O" are skipped. The second character indicates significant part changes within a year. Base is "0" and this number advances for each change. In cases where there is a letter in parentheses, this designates the month. This is the last character in the serial number. The series runs from "(A)" through "(M)" and the letter "(I)" is skipped. This designation is only included when identifying a parts change within an auxiliary code.

## **Note About Ordering Parts**

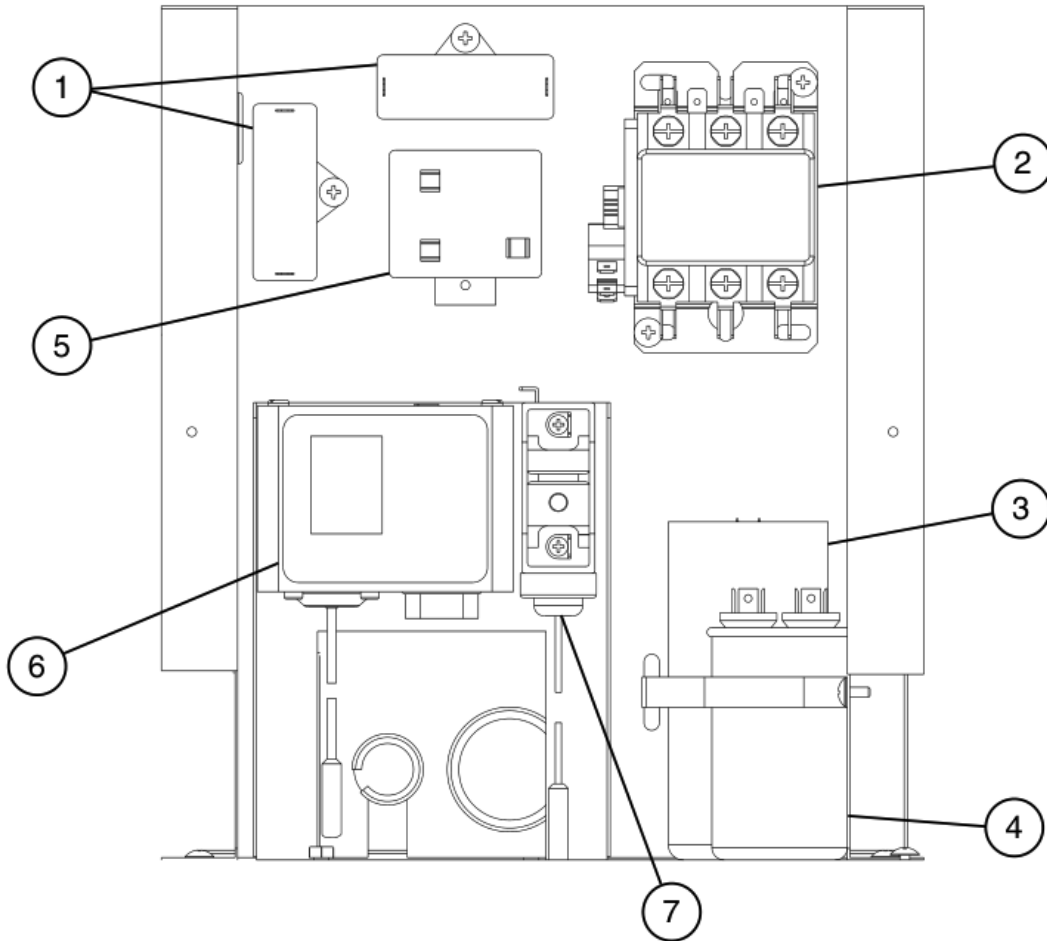
Most assemblies cannot be ordered as complete units; parts in the assemblies generally must be ordered separately.

**A. Main Assembly & Refrigeration Circuit**  
**SRC-14H**  
A-0 to G-0



| Title: A. Main Assembly & Refrigeration Circuit Model: SRC-14H |  |                          |                           |                 |                |                |  |  |  |  |  |  |
|--|--|--------------------------|---------------------------|-----------------|----------------|----------------|--|--|--|--|--|--|
| Index No.  | Description  | Material or Model Number | Part Number               | Required Number |                |                |  |  |  |  |  |  |
|  |  |                          |                           | A-0 to B-0      | B-1 to B-1 (K) | B-1 (L) to G-0 |  |  |  |  |  |  |
| <b>Condensing Unit</b>   |  |                          |                           |                 |                |                |  |  |  |  |  |  |
| 1  | Top Panel  |                          | <a href="#">3A5858-01</a> | 1               | 1              | 1              |  |  |  |  |  |  |
| 2  | Side Panel   |                          | <a href="#">3A5855-01</a> | 2               | 2              | 2              |  |  |  |  |  |  |
| 3  | Louver Panel   |                          | <a href="#">213968-01</a> | 1               | 1              | 1              |  |  |  |  |  |  |
| 4  | Control Box Cover  |                          | <a href="#">3A3182-01</a> | 1               | 1              | 1              |  |  |  |  |  |  |
| 5  | Fan Motor  |                          | <a href="#">4A3201-01</a> | 2               | 2              | 2              |  |  |  |  |  |  |
| 5a   | Split Lock Washer  |                          | <a href="#">7L2210832</a> | 8               | 8              | -              |  |  |  |  |  |  |
| 5b   | Self Locking Nut   |                          | <a href="#">7N2110832</a> | 8               | 8              | 8              |  |  |  |  |  |  |
| 6  | Fan Blade  |                          | <a href="#">4A1493-01</a> | 2               | 2              | 2              |  |  |  |  |  |  |
| <b>Refrigeration Circuit</b>                                   |  |                          |                           |                 |                |                |  |  |  |  |  |  |
| 7  | Compressor<br>(B-1 and later utilize external crankcase heater-item 8) |                          | <a href="#">4A4134-02</a> | 1               | -              |                |  |  |  |  |  |  |
|  |  |                          | <a href="#">4A4134-03</a> |                 | 1              | 1              |  |  |  |  |  |  |
| 8  | Crankcase Heater   |                          | <a href="#">4A5397-02</a> |                 | 1              | 1              |  |  |  |  |  |  |
| 9  | Condenser  |                          | <a href="#">104777-02</a> | 1               | 1              | 1              |  |  |  |  |  |  |
| 10   | Receiver   |                          | <a href="#">438209-01</a> | 1               | 1              | 1              |  |  |  |  |  |  |
| 11   | High-Pressure Switch   |                          | <a href="#">463180-05</a> | 1               | 1              | 1              |  |  |  |  |  |  |
| 12   | Headmaster (Condensing Pressure Regulator)                             |                          | <a href="#">4A0229-01</a> | 1               | 1              | 1              |  |  |  |  |  |  |
| 13   | Liquid Line Coupling   |                          | <a href="#">426554-01</a> | 1               | 1              | 1              |  |  |  |  |  |  |
| 14   | Suction Line Coupling  |                          | <a href="#">448569-01</a> | 1               | 1              | 1              |  |  |  |  |  |  |

**B. Control Box Assembly**  
**SRC-14H**  
 A-0 to G-0

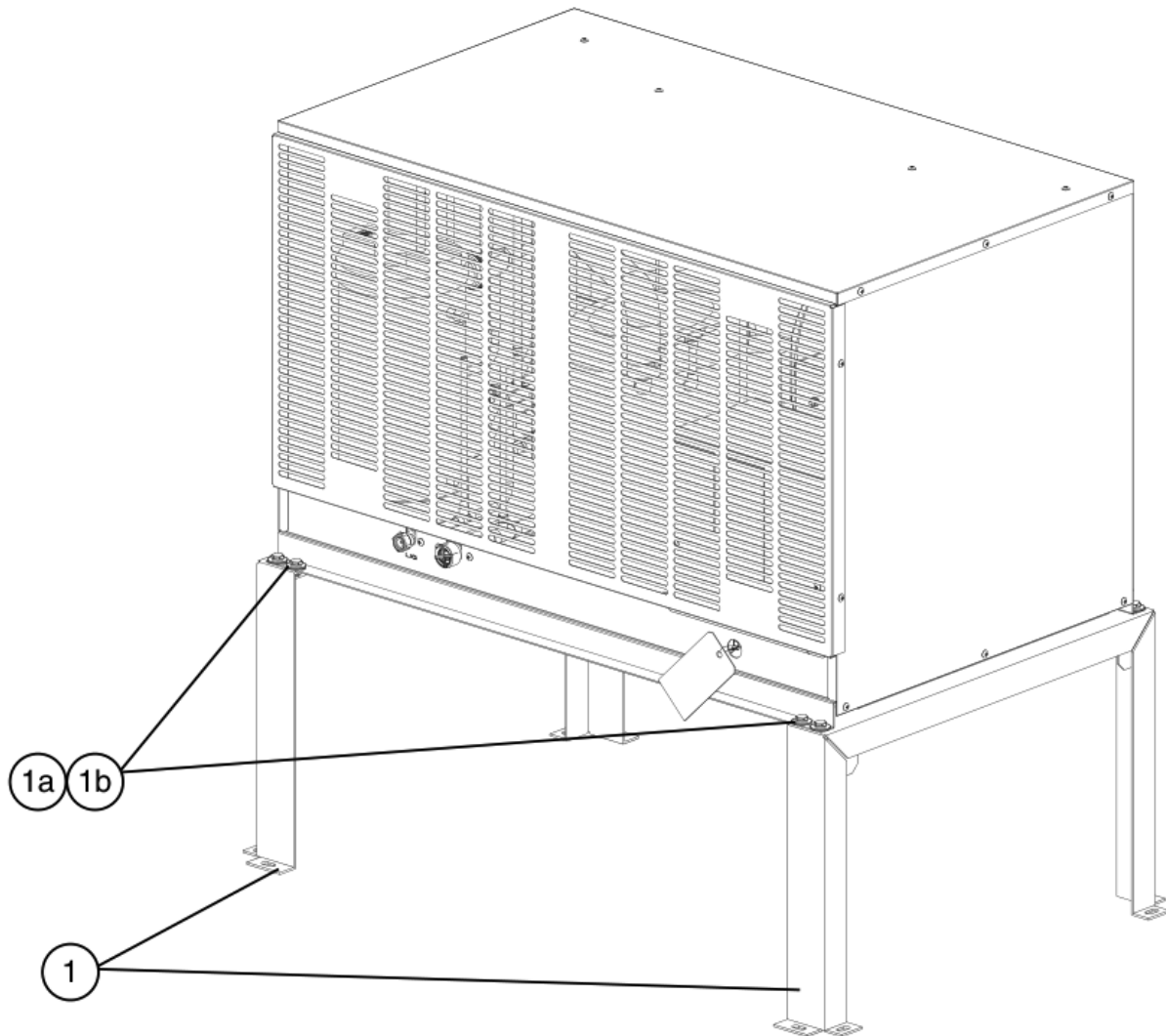


| Title: B. Control Box Assembly Model: SRC-14H |                             |                          |                           |            | Required Number |  |  |  |  |  |  |  |
|---|-----------------------------|--------------------------|---------------------------|------------|-----------------|--|--|--|--|--|--|--|
| Index No.                                     | Description                 | Material or Model Number | Part Number               | A-0 to G-0 |                 |  |  |  |  |  |  |  |
| 1   | Fan Motor Capacitor         | 10MFD, 250VAC            | <a href="#">443192-01</a> | 2          |                 |  |  |  |  |  |  |  |
| 2   | Magnetic Contactor          |                          | <a href="#">4A0794-01</a> | 1          |                 |  |  |  |  |  |  |  |
| 3   | Start Capacitor             | 145-174MFD, 220VAC       | <a href="#">3A0076-11</a> | 1          |                 |  |  |  |  |  |  |  |
| 4   | Run Capacitor               | 30MFD, 370VAC            | <a href="#">3A2005-03</a> | 1          |                 |  |  |  |  |  |  |  |
| 5   | Start Relay                 |                          | <a href="#">4A1107-13</a> | 1          |                 |  |  |  |  |  |  |  |
| 6   | Control Low-Pressure Switch | <b>SP-5629</b>           | <a href="#">4A5353G01</a> | 1          |                 |  |  |  |  |  |  |  |
| 7   | Safety Low-Pressure Switch  |                          | <a href="#">4A3497-01</a> | 1          |                 |  |  |  |  |  |  |  |

## C. Accessories & Labels

### SRC-14H

A-0 to G-0



| Title: C. Accessories & Labels |                         | Model: SRC-14H           |             | Required Number |     |  |           |   |  |  |  |
|--------------------------------|-------------------------|--------------------------|-------------|-----------------|-----|--|-----------|---|--|--|--|
| Index No.                      | Description             | Material or Model Number | Part Number | A-0 to G-0      |     |  |           |   |  |  |  |
|                                |                         |                          |             | 1               | Leg |  | 2A3166G01 | 2 |  |  |  |
| 1a                             | Hex Head Bolt w/ Washer | 8x16, SS                 | 7B0230816   | 8               |     |  |           |   |  |  |  |
| 1b                             | Hex Nut                 | M8, SS                   | 7N12-0800   | 8               |     |  |           |   |  |  |  |