



# HOSHIZAKI

## Parts List

Refrigerated Kitchen Equipment  
Steelheart B Series

Models  
Undercounter  
Worktop  
Prep Table



[hoshizakiamerica.com](http://hoshizakiamerica.com)

Number: 71437  
Issued: 7-31-2020  
Revised: 6-29-2022

## CONTENTS

|   |    |
|---|----|
| Auxiliary Codes.....  | 3  |
| Model Codes .....   | 8  |
| A. Main Assembly .....  | 9  |
| UR27B, WR27B, SR27B, UF27B, and WF27B Undercounter, Worktop, and Prep Table .               | 9  |
| UR36B, WR36B, SR36B Undercounter, Worktop, and Prep Table .....                             | 12 |
| UR48B, WR48B, SR48B, UF48B, and WF48B Undercounter, Worktop, and Prep Table                 | 14 |
| UR60B, WR60B, SR60B, UF60B, and WF60B Undercounter, Worktop, and Prep Table                 | 17 |
| UR72B, WR72B, SR72B Undercounter, Worktop, and Prep Table .....                             | 21 |
| B. Refrigeration Circuit.....   | 25 |
| UR27B and WR27B Undercounter and Worktop .....  | 25 |
| SR27B, UF27B, WF27B, UR36B, WR36B, and SR36B Undercounter, Worktop, and Prep<br>Table ..... | 27 |
| UR48B, WR48B, UF48B, WF48B, and SR48B Undercounter, Worktop, and Prep Table                 | 29 |
| UR60B, WR60B, UF60B, WF60B, and SR60B Undercounter, Worktop, and Prep Table                 | 31 |
| UR72B, WR72B, and SR72B Undercounter, Worktop, and Prep Table .....                         | 33 |
| C. Door-Right Hinged Solid.....   | 35 |
| D. Door-Left Hinged Solid .....   | 37 |
| E. Door-Right Hinged Glass.....   | 39 |
| F. Door-Left Hinged Glass .....   | 40 |
| G. Drawer .....   | 41 |
| H. Accessories & Labels .....   | 43 |

## Auxiliary Codes

### **UR27B**

K-5 March 2020  
L-5 June 2021  
M-5 January 2022

### **UR27B-GLP01**

K-5 March 2020  
L-5 July 2021  
M-5 May 2022

### **UR27B-01**

L-5 June 2021  
M-5 May 2022

### **UR27B-LP**

L-5 June 2021  
M-5 January 2022

### **UR27B-LPC**

L-5 June 2021  
M-5 January 2022

### **UR27B-LPW**

L-5 June 2021  
M-5 February 2022

### **UR27B-LPCL**

M-5 June 2022

### **UR27B-D2**

L-5 June 2021  
M-5 January 2022

### **WR27B**

L-5 June 2021  
M-5 February 2022

### **WR27B-01**

L-5 September 2021  
M-5 May 2022

### **WR27B-D2**

L-5 June 2021  
M-5 May 2022

### **SR27B-8**

L-5 June 2021  
M-5 January 2022

### **SR27B-8D2**

L-5 July 2021  
M-5 February 2022

### **SR27B-12M**

K-5 February 2020  
M-5 January 2022

### **SR27B-12MD2**

K-5 November 2020  
M-5 February 2022

### **UF27B**

K-5 March 2020  
L-5 June 2021  
M-5 January 2022

### **UF27B-GLP01**

K-5 March 2020  
L-5 July 2021  
M-5 June 2022

### **UF27B-01**

L-5 July 2021  
M-5 May 2022

### **UF27B-LP**

L-5 June 2021  
M-5 February 2022

### **UF27B-D2**

L-5 June 2021  
M-5 February 2022

### **WF27B**

K-5 November 2020  
M-5 February 2022

### **WF27B-01**

L-5 June 2021  
M-5 April 2022

### **WF27B-D2**

L-5 June 2021  
M-5 April 2022

## Auxiliary Codes Continued

### **UR36B**

K-5 February 2020  
L-5 June 2021  
M-5 February 2022

### **UR36B-01**

L-5 September 2021  
M-5 June 2022

### **WR36B**

L-5 June 2021  
M-5 June 2022

### **WR36B-01**

L-5 September 2021  
M-5 June 2022

### **SR36B-10**

L-5 June 2021  
M-5 May 2022

### **SR36B-15M**

K-5 February 2020  
L-5 June 2021  
M-5 February 2022

## Auxiliary Codes Continued

### **UR48B**

L-5 March 2021  
M-5 January 2022

### **UR48B-GPL01**

L-5 March 2021  
M-5 January 2022

### **UR48B-01**

L-5 November 2021  
M-5 February 2022

### **UR48B-D2**

M-5 February 2022

### **UR48B-D4**

L-5 December 2021  
M-5 January 2022

### **WR48B**

L-5 November 2021  
M-5 February 2022

### **WR48B-01**

L-5 November 2021  
M-5 February 2022

### **WR48B-D2**

M-5 January 2022

### **WR48B-D4**

M-5 March 2022

### **SR48B-8**

L-5 November 2021  
M-5 January 2022

### **SR48B-12**

L-5 September 2021  
M-5 January 2022

### **SR48B-12D2**

M-5 June 2022

### **SR48B-12D4**

L-5 September 2021  
M-5 June 2022

### **SR48B-12M**

L-5 September 2021  
M-5 June 2022

### **SR48B-18M**

L-5 September 2021  
M-5 January 2022

### **SR48B-18MD2**

L-5 March 2021  
M-5 January 2022

### **SR48B-18MD4**

M-5 March 2022

### **UF48B**

L-5 March 2021  
M-5 March 2022

### **UF48B-01**

M-5 July 2022

### **UF48B-D4**

M-5 May 2022

### **WF48B**

L-5 November 2021  
M-5 April 2022

### **WF48B-01**

L-5 November 2021  
M-5 June 2022

### **WF48B-D4**

M-5 March 2022

**Auxiliary Codes  
Continued**

**UR60B**

L-5 April 2021  
M-5 January 2022

**UR60B-01**

M-5 February 2022

**UR60B-D2**

M-5 February 2022

**UR60B-D4**

M-5 January 2022

**WR60B**

L-5 October 2021  
M-5 February 2022

**WR60B-01**

M-5 February 2022

**WR60B-D2**

M-5 February 2022

**WR60B-D4**

M-5 TBD 2022

**SR60B-8**

M-5 July 2022

**SR60B-12**

L-5 November 2021  
M-5 June 2022

**SR60B-12M**

M-5 July 2022

**SR60B-16**

L-5 November 2021  
M-5 February 2022

**SR60B-18M**

L-5 November 2021  
M-5 January 2022

**SR60B-24M**

L-5 January 2021  
M-5 January 2022

**SR60B-24MD2**

L-5 April 2021  
M-5 July 2022

**SR60B-24MD4**

L-5 November 2021  
M-5 April 2022

**UF60B**

L-5 April 2021  
M-5 May 2022

**UF60B-01**

L-5 October 2021  
M-5 July 2022

**WF60B**

L-5 October 2021  
M-5 TBD 2022

**WF60B-01**

M-5 TBD 2022

**Auxiliary Codes  
Continued**

**UR72B**

L-5 April 2021  
M-5 January 2022

**UR72B-01**

M-5 TBD 2022

**UR72B-D6**

M-5 January 2022

**WR72B**

L-5 October 2021  
M-5 February 2022

**WR72B-01**

M-5 TBD 2022

**WR72B-D6**

M-5 TBD 2022

**SR72B-12**

M-5 TBD 2022

**SR72B-16**

M-5 April 2022

**SR72B-18**

L-5 October 2021  
M-5 May 2022

**SR72B-18M**

L-5 November 2021  
M-5 TBD 2022

**SR72B-24M**

M-5 June 2022

**SR72B-30M**

L-5 October 2021  
M-5 April 2022

**SR72B-30MD2**

M-5 April 2022

**SR72B-30MD4**

L-5 April 2021  
M-5 TBD 2022

**SR72B-30MD6**

M-5 May 2022

## **Model Codes**

The model number code breakdown is as follows:

U - Undercounter

W - Worktop

S - Prep Table

R - Refrigerator

F - Freezer

27, 36, 48, 60, 72 - Width

After Dash (-) Nomenclature:

-GLP - Glass Door

-01 - Locks

-LP - Low Profile Casters

-LPC - Low Profile Stainless Steel Shelf

-LPW - Low Profile Salad Dressing Holders on Door

-D2, -D4, -D6 - Drawers and Drawer/Door Combination

-8, -10, -12, -16, -18 - Prep Table Number of Pans

-12M, -15M, -18M, -24M, -30M – Mega Top Number of Pans

## **Auxiliary Code Breakdown**

The auxiliary code is the first two characters in the serial number. The first character indicates the year. Years progress or regress in alphabetical order. The series runs from "A" through "V" and the letters "I" and "O" are skipped. The second character indicates significant part changes within a year. Base is "5" and this number advances for each change. In cases where there is a letter in parentheses, this designates the month. This is the last character in the serial number. The series runs from "(A)" through "(M)" and the letter "(I)" is skipped. This designation is only included when identifying a parts change within an auxiliary code.

## **Note About Ordering Parts**

Most assemblies cannot be ordered as complete units; parts in the assemblies generally must be ordered separately.

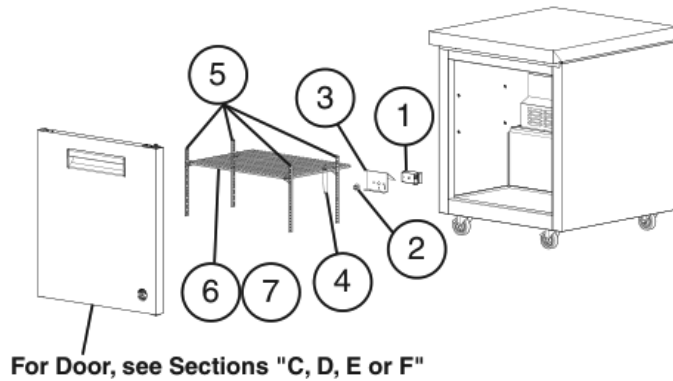
## A. Main Assembly

### UR27B, WR27B, SR27B, UF27B, and WF27B Undercounter, Worktop, and Prep Table

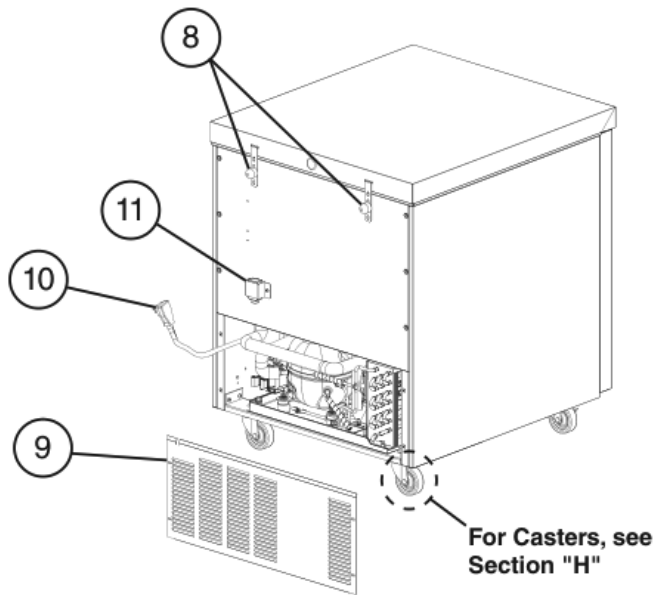
K-5 to M-5

#### Undercounter, Worktop, Prep Table

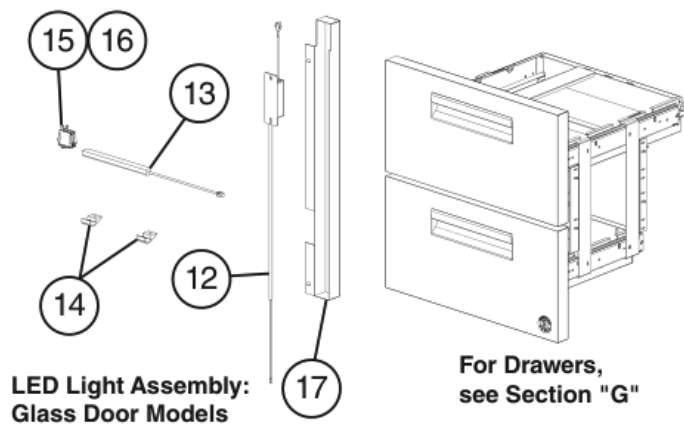
##### Common Parts



For Door, see Sections "C, D, E or F"



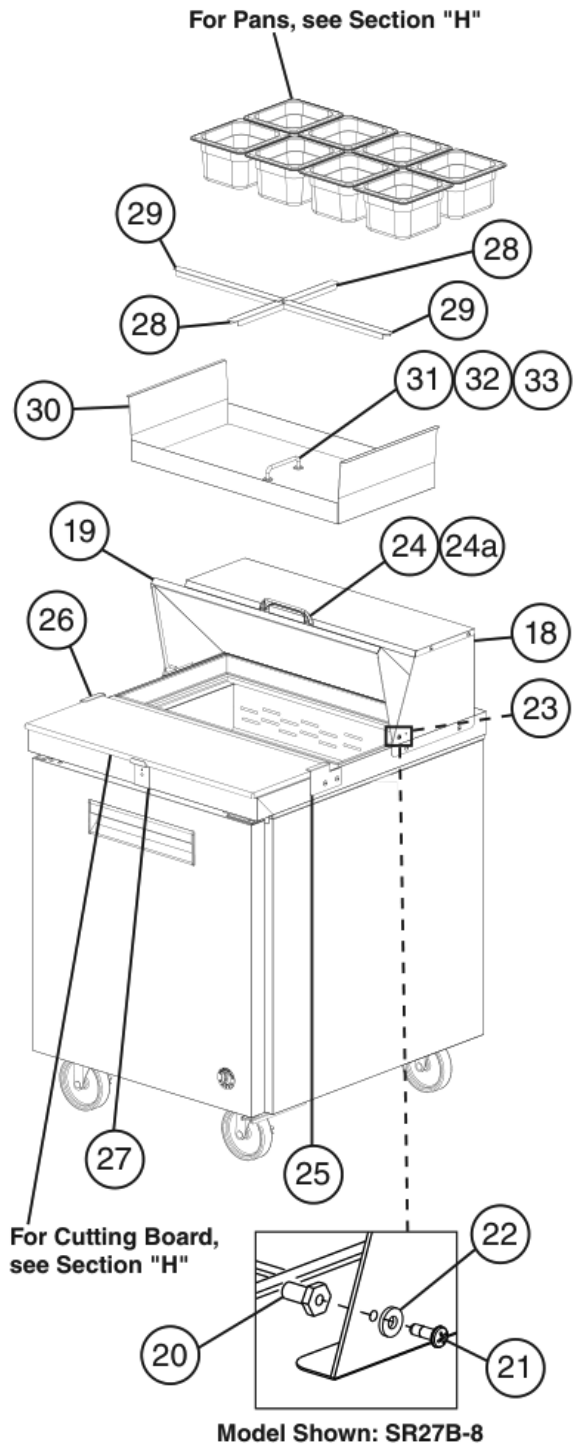
Model Shown: UF27B



LED Light Assembly:  
Glass Door Models

For Drawers,  
see Section "G"

#### Prep Table Specific Parts



For Pans, see Section "H"

For Cutting Board,  
see Section "H"

Model Shown: SR27B-8

**Title: A. Main Assembly Models: UR27B, WR27B, SR27B, UF27B, and WF27B Undercounter, Worktop, and Prep Table**

| Index No.           | Description                        | Material or Model Number                                       | Part Number | K-5 to M-5 | Required Number |  |  |  |  |  |  |  |
|---------------------|------------------------------------|--|-------------|------------|-----------------|--|--|--|--|--|--|--|
|                     |                                    |  |             |            |                 |  |  |  |  |  |  |  |
| <b>Common Parts</b> |                                    |  |             |            |                 |  |  |  |  |  |  |  |
| 1                   | Control Module                     | <b>All UC/WT Refrigerator</b>                                  | 4A6907G01   | 1          |                 |  |  |  |  |  |  |  |
|                     |                                    | <b>All UC/WT Freezers</b>                                      | 4A6907G03   | 1          |                 |  |  |  |  |  |  |  |
|                     |                                    | <b>All Prep Tables</b>   | 4A6907G02   | 1          |                 |  |  |  |  |  |  |  |
| 2                   | Dial Knob                          |  | 4A7052-01   | 1          |                 |  |  |  |  |  |  |  |
| 3                   | Control Module Bracket             |  | 3B0913-01   | 1          |                 |  |  |  |  |  |  |  |
| 4                   | Cabinet Thermometer                |  | 461083-02   | 1          |                 |  |  |  |  |  |  |  |
| 5                   | Side Pilaster                      | <b>All UC/WT Prep Tables Except D(X) Models</b>                | 4A5854-01   | 4          |                 |  |  |  |  |  |  |  |
| 6                   | Shelf                              | <b>All UC/WT Prep Tables Except D(X) Models and LPC Models</b> | 3A2830-07   | 1          |                 |  |  |  |  |  |  |  |
|                     |                                    | <b>LPC Models</b>  | 3A2830-14   | 1          |                 |  |  |  |  |  |  |  |
|                     |                                    |  | 3A2830-20   | 1          |                 |  |  |  |  |  |  |  |
| 7                   | Shelf Clip                         | <b>All UC/WT Prep Tables Except D(X) Models and LPC models</b> | 4A5418-01   | 4          |                 |  |  |  |  |  |  |  |
|                     |                                    | <b>LPC Models</b>  |             | 8          |                 |  |  |  |  |  |  |  |
| 8                   | Bumper                             |  | 3A6696-01   | 2          |                 |  |  |  |  |  |  |  |
| 9                   | Rear Panel                         |  | 1A6049-01   | 1          |                 |  |  |  |  |  |  |  |
| 10                  | Wire Harness (includes power cord) |  | 4A6865-01   | 1          |                 |  |  |  |  |  |  |  |
| 11                  | Pressure Relief Valve              | <b>All UC/WT Freezers</b>                                      | 4A5694-01   | 1          |                 |  |  |  |  |  |  |  |
| 12                  | LED Driver                         | <b>GLP01</b>   | 1A5501-01   | 1          |                 |  |  |  |  |  |  |  |
| 13                  | LED Lamp                           |  | 3A9348-01   | 1          |                 |  |  |  |  |  |  |  |
| 14                  | LED Clip                           |  | 4A5906-01   | 2          |                 |  |  |  |  |  |  |  |
| 15                  | LED Switch                         |  | 4A6067-01   | 1          |                 |  |  |  |  |  |  |  |
| 16                  | LED Switch Gasket                  |  | 4A6075-01   | 1          |                 |  |  |  |  |  |  |  |
| 17                  | Channel                            |  |             | 4A6064-01  | 1               |  |  |  |  |  |  |  |
|                     |                                    |  |             |            |                 |  |  |  |  |  |  |  |

**Title: A. Main Assembly Models: UR27B, WR27B, SR27B, UF27B, and WF27B Undercounter, Worktop, and Prep Table**

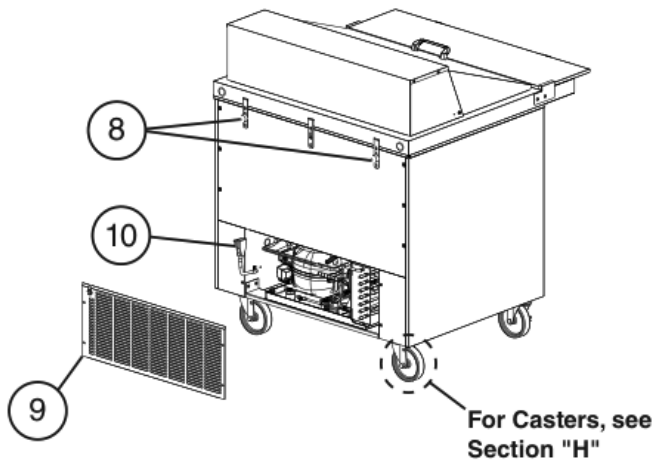
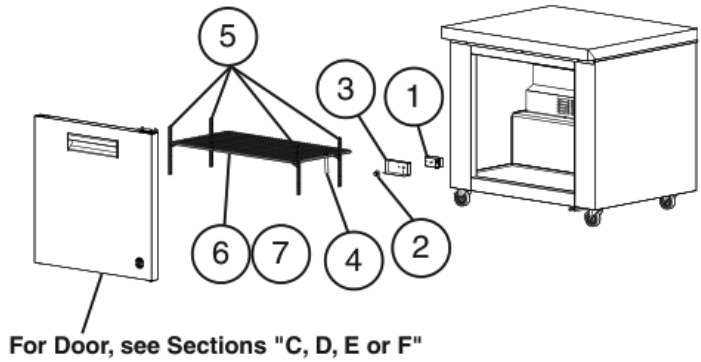
| Index No.                        | Description                                   | Material or Model Number  | Part Number               | K-5 to M-5 | Required Number |  |  |  |  |  |  |  |
|----------------------------------|---|---------------------------|---------------------------|------------|-----------------|--|--|--|--|--|--|--|
|                                  |   |                           |                           |            |                 |  |  |  |  |  |  |  |
| <b>Prep Table Specific Parts</b> |   |                           |                           |            |                 |  |  |  |  |  |  |  |
| 18                               | Rail Hood                                     |                           | <a href="#">3A9407A01</a> | 1          |                 |  |  |  |  |  |  |  |
| 19                               | Rail Cover<br>(includes items 20 through 24a) | -8, -8D2                  | <a href="#">3A9410A01</a> | 1          |                 |  |  |  |  |  |  |  |
|                                  |   | -12M, -12MD2              | <a href="#">3A9411A01</a> | 1          |                 |  |  |  |  |  |  |  |
| 20                               | Pivot Pin                                     |                           | <a href="#">4A6161-01</a> | 2          |                 |  |  |  |  |  |  |  |
| 21                               | Pivot Bolt                                    |                           | <a href="#">4A6160-01</a> | 2          |                 |  |  |  |  |  |  |  |
| 22                               | Flat Washer                                   |                           | <a href="#">7W22I0832</a> | 2          |                 |  |  |  |  |  |  |  |
| 23                               | Tree Clip                                     |                           | <a href="#">4A0579-01</a> | 2          |                 |  |  |  |  |  |  |  |
| 24                               | Handle  |                           | <a href="#">1A3416-01</a> | 1          |                 |  |  |  |  |  |  |  |
| 24a                              | Pan Head Screw                                |                           | <a href="#">7C12I1412</a> | 2          |                 |  |  |  |  |  |  |  |
| 25                               | Right Cutting Board Bracket                   | -8, -8D2, -12M, -12MD2    | <a href="#">3A8971-02</a> | 1          |                 |  |  |  |  |  |  |  |
| 26                               | Left Cutting Board Bracket                    | -8, -8D2, -12M, -12MD2    | <a href="#">3A8971-01</a> | 1          |                 |  |  |  |  |  |  |  |
| 27                               | Center Cutting Board Bracket                  | -8, -8D2                  | <a href="#">4A5905-01</a> | 1          |                 |  |  |  |  |  |  |  |
|                                  |   | -12M, -12MD2              | <a href="#">4A6794-01</a> | 2          |                 |  |  |  |  |  |  |  |
| 28                               | Rail Divider<br>(front-to-back)               | -8, -8D2<br>(HS-5187)     | <a href="#">3A8903-01</a> | 1          |                 |  |  |  |  |  |  |  |
|                                  |   | -12M, -12MD2<br>(HS-5184) | <a href="#">3A8855-01</a> | 1          |                 |  |  |  |  |  |  |  |
| 29                               | Rail Divider<br>(side-to-side)                | -8, -8D2<br>(HS-5185)     | <a href="#">3B0027-03</a> | 2          |                 |  |  |  |  |  |  |  |
|                                  |   | -12M, -12MD2<br>(HS-5185) |                           | 4          |                 |  |  |  |  |  |  |  |
| 30                               | Catch Tray<br>(includes items 31 through 33)  | -8, -8D                   | <a href="#">2A9781A01</a> | 1          |                 |  |  |  |  |  |  |  |
|                                  |   | -12M, -12MD2              | <a href="#">2A9781A02</a> | 1          |                 |  |  |  |  |  |  |  |
| 31                               | Handle  |                           | <a href="#">4A4518-01</a> | 1          |                 |  |  |  |  |  |  |  |
| 32                               | Pan Head Screw                                | 8x32                      | <a href="#">7C12I0838</a> | 2          |                 |  |  |  |  |  |  |  |
| 33                               | Flat Washer                                   | -8, -8D                   | <a href="#">7W22-0400</a> | 2          |                 |  |  |  |  |  |  |  |
|                                  |   | -12M, -12MD2              | <a href="#">7W22-0500</a> | 2          |                 |  |  |  |  |  |  |  |

# A. Main Assembly

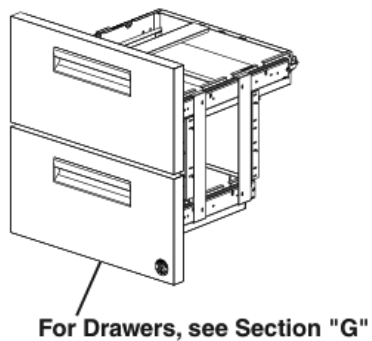
## UR36B, WR36B, SR36B Undercounter, Worktop, and Prep Table

K-5 to M-5

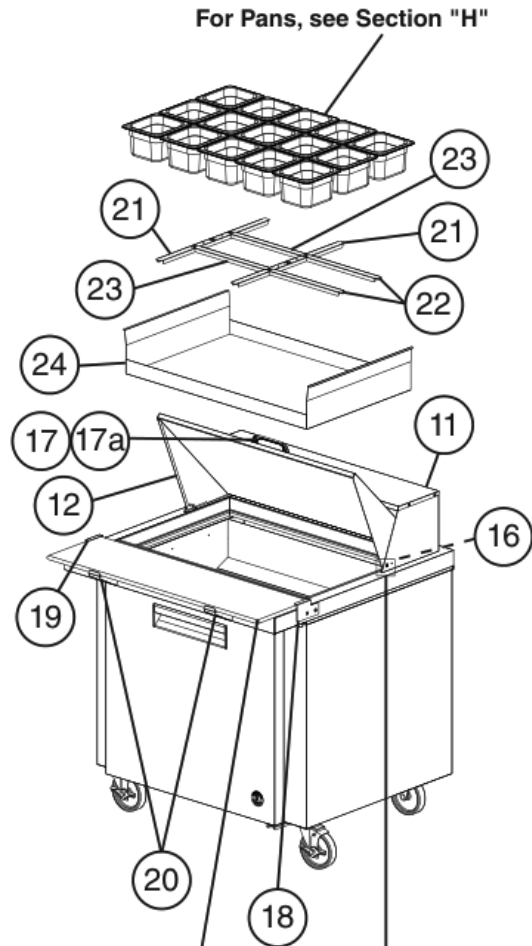
### Undercounter, Worktop, Prep Table Common Parts



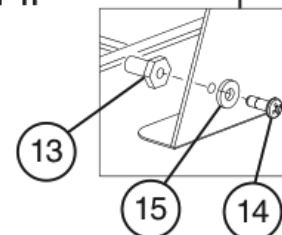
Model Shown: SR36B-15M



### Prep Table Specific Parts



For Cutting Board, see Section "H"



Model Shown: SR36B-15M

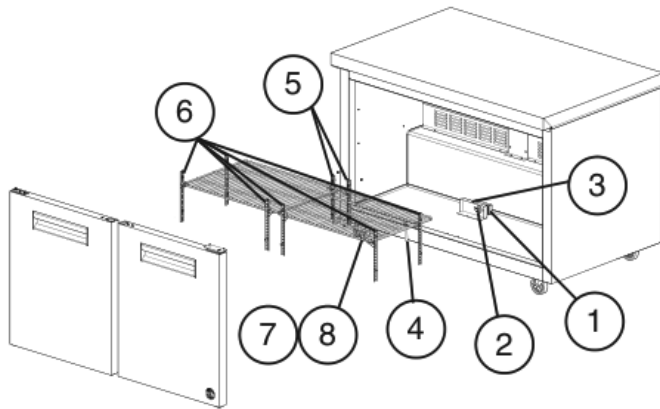
| Title: A. Main Assembly Models: UR36B, WR36B, and SR36B Undercounter, Worktop, and Prep Table |  |                          |                           |            |                 |  |  |  |  |  |  |
|---|--|--------------------------|---------------------------|------------|-----------------|--|--|--|--|--|--|
| Index No.   | Description                                | Material or Model Number | Part Number               | K-5 to M-5 | Required Number |  |  |  |  |  |  |
|   |  |                          |                           |            |                 |  |  |  |  |  |  |
| <b>Common Parts</b>   |  |                          |                           |            |                 |  |  |  |  |  |  |
| 1   | Control Module                             | <b>UC/WT</b>             | <a href="#">4A6907G01</a> | 1          |                 |  |  |  |  |  |  |
|   |  | <b>Prep Table</b>        | <a href="#">4A6907G02</a> | 1          |                 |  |  |  |  |  |  |
| 2   | Dial Knob                                  |                          | <a href="#">4A7052-01</a> | 1          |                 |  |  |  |  |  |  |
| 3   | Control Module Bracket                     |                          | <a href="#">3B0929-01</a> | 1          |                 |  |  |  |  |  |  |
| 4   | Cabinet Thermometer                        |                          | <a href="#">461083-02</a> | 1          |                 |  |  |  |  |  |  |
| 5   | Side Pilaster                              |                          | <a href="#">4A5719-01</a> | 4          |                 |  |  |  |  |  |  |
| 6   | Shelf                                      |                          | <a href="#">3A6876-05</a> | 1          |                 |  |  |  |  |  |  |
| 7   | Shelf Clip                                 |                          | <a href="#">4A5418-01</a> | 6          |                 |  |  |  |  |  |  |
| 8   | Bumper                                     |                          | <a href="#">3A6696-01</a> | 2          |                 |  |  |  |  |  |  |
| 9   | Rear Panel                                 |                          | <a href="#">1A6057-01</a> | 1          |                 |  |  |  |  |  |  |
| 10  | Wire Harness (includes power cord)         |                          | <a href="#">4A6865-01</a> | 1          |                 |  |  |  |  |  |  |
| <b>Prep Table Specific Parts</b>  |  |                          |                           |            |                 |  |  |  |  |  |  |
| 11  | Rail Hood                                  |                          | <a href="#">3A9406A01</a> | 1          |                 |  |  |  |  |  |  |
| 12  | Rail Cover (includes items 13 through 17a) | <b>-10</b>               | <a href="#">3A9408A01</a> | 1          |                 |  |  |  |  |  |  |
|   |  | <b>-15M</b>              | <a href="#">3A9409A01</a> | 1          |                 |  |  |  |  |  |  |
| 13  | Pivot Pin                                  |                          | <a href="#">4A6161-01</a> | 2          |                 |  |  |  |  |  |  |
| 14  | Pivot Bolt                                 |                          | <a href="#">4A6160-01</a> | 2          |                 |  |  |  |  |  |  |
| 15  | Flat Washer                                |                          | <a href="#">7W22I0832</a> | 2          |                 |  |  |  |  |  |  |
| 16  | Tree Clip                                  |                          | <a href="#">4A0579-01</a> | 2          |                 |  |  |  |  |  |  |
| 17  | Handle                                     |                          | <a href="#">1A3416-01</a> | 1          |                 |  |  |  |  |  |  |
| 17a   | Pan Head Screw                             |                          | <a href="#">7C12I1412</a> | 2          |                 |  |  |  |  |  |  |
| 18  | Right Cutting Board Bracket                |                          | <a href="#">3A8971-02</a> | 1          |                 |  |  |  |  |  |  |
| 19  | Left Cutting Board Bracket                 |                          | <a href="#">3A8971-01</a> | 1          |                 |  |  |  |  |  |  |
| 20  | Center Cutting Board Bracket               | <b>-10</b>               | <a href="#">4A5905-01</a> | 1          |                 |  |  |  |  |  |  |
|   |  | <b>-15M</b>              | <a href="#">4A6794-01</a> | 2          |                 |  |  |  |  |  |  |
| 21  | Rail Divider (front-to-back)               | <b>-10 (HS-5187)</b>     | <a href="#">3A8903-01</a> | 2          |                 |  |  |  |  |  |  |
|   |  | <b>-15M (HS-5184)</b>    | <a href="#">3A8855-01</a> | 2          |                 |  |  |  |  |  |  |
| 22  | Rail Divider (side-to-side outer)          | <b>-10 (HS-5185)</b>     | <a href="#">3B0027-03</a> | 1          |                 |  |  |  |  |  |  |
|   |  | <b>-15M (HS-5185)</b>    |                           | 2          |                 |  |  |  |  |  |  |
| 23  | Rail Divider (side-to-side center)         | <b>-10 (HS-5186)</b>     | <a href="#">3B0028-03</a> | 1          |                 |  |  |  |  |  |  |
|   |  | <b>-15M (HS-5186)</b>    |                           | 2          |                 |  |  |  |  |  |  |
| 24  | Catch Tray                                 | <b>-10</b>               | <a href="#">1A6157-02</a> | 1          |                 |  |  |  |  |  |  |
|   |  | <b>-15M</b>              | <a href="#">1A6157-03</a> | 1          |                 |  |  |  |  |  |  |

# A. Main Assembly

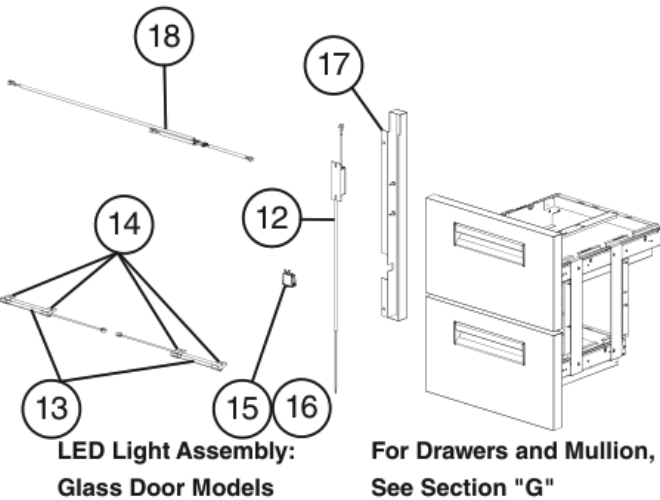
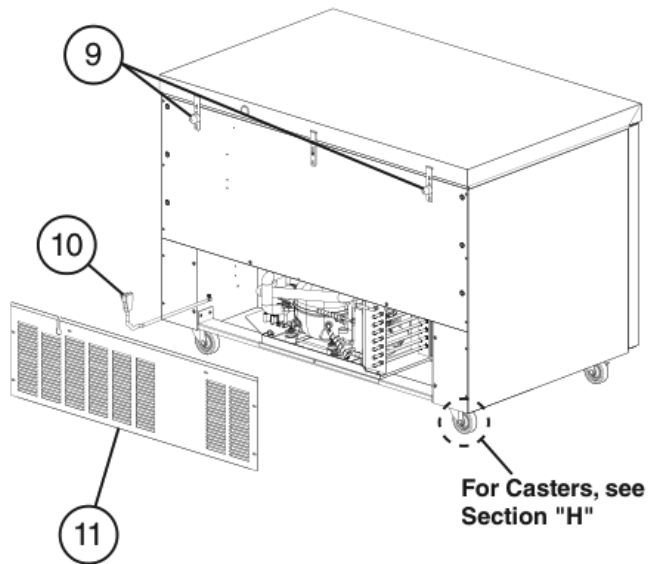
## UR48B, WR48B, SR48B, UF48B, and WF48B Undercounter, Worktop, and Prep Table

L-5, M-5

### Undercounter, Worktop, Prep Table Common Parts

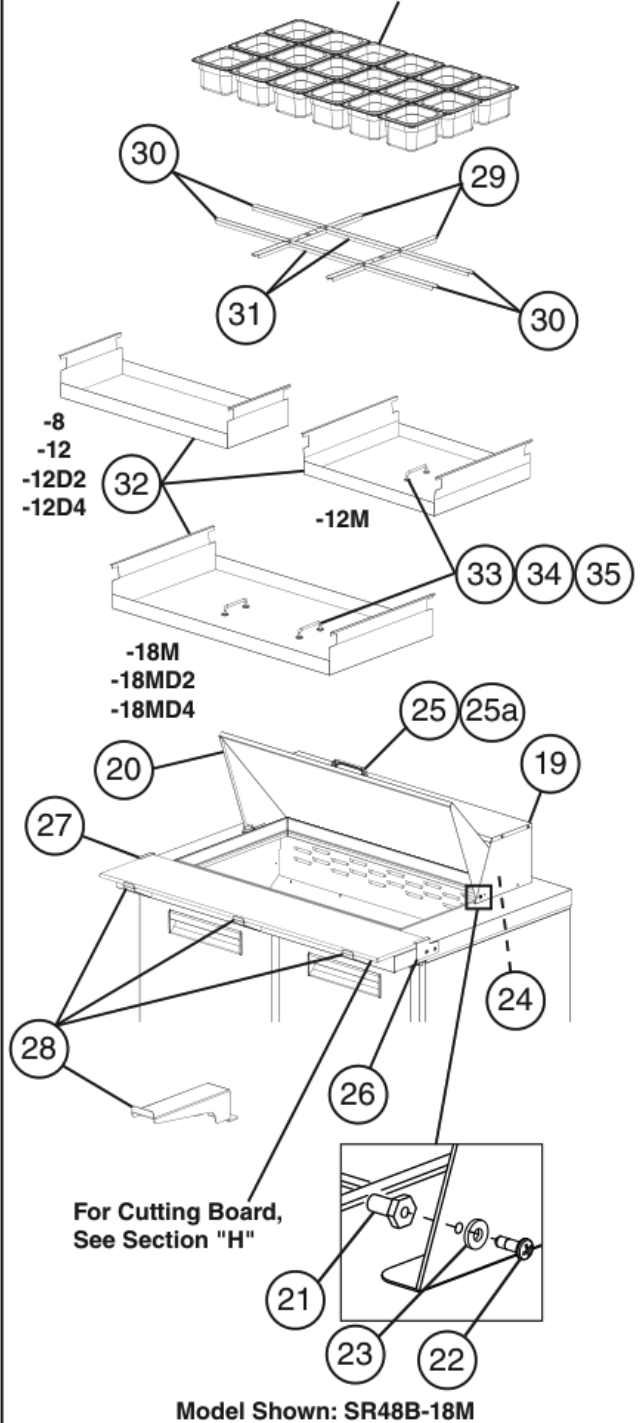


For Door, See Sections "C, D, E, or F"



### Prep Table Specific Parts

For Pans, see Section "H"

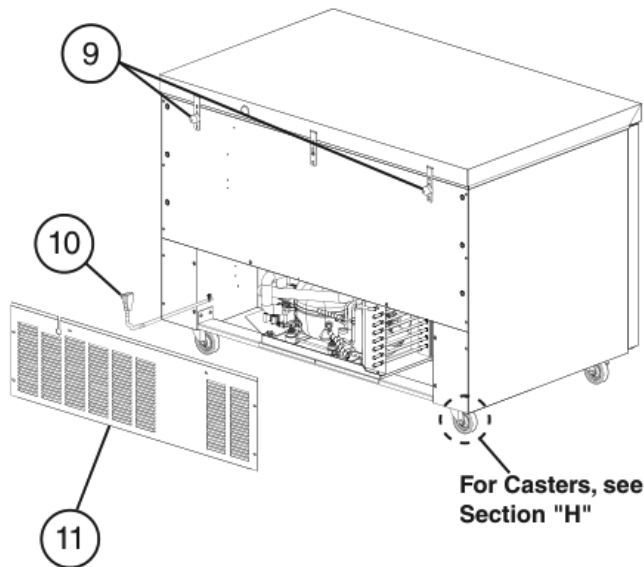
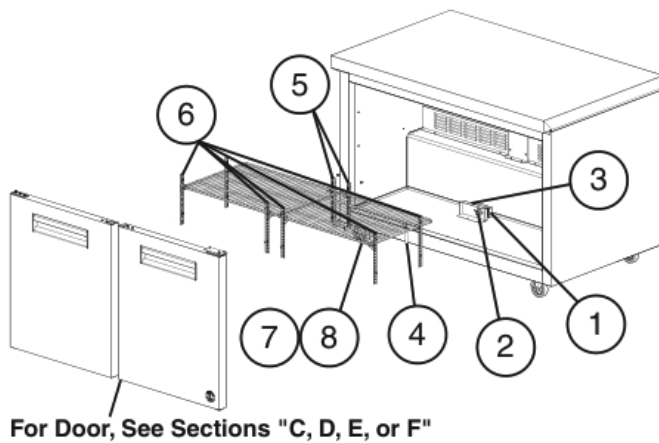


| Title: A. Main Assembly Models: UR48B, WR48B, SR48B, UF48B, and WF48B Undercounter, Worktop, and Prep Table |   |   |             |                 |  |  |  |  |  |  |
|---|---|---|-------------|-----------------|--|--|--|--|--|--|
| Index No.   | Description   | Material or Model Number                        | Part Number | Required Number |  |  |  |  |  |  |
|   |   |   |             | L-5             |  |  |  |  |  |  |
| <b>Common Parts</b>   |   |   |             |                 |  |  |  |  |  |  |
| 1   | Control Module                                      | UC/WT Refrigerator                              | 4A6907G01   | 1               |  |  |  |  |  |  |
|   |   | UC/WT Freezers                                  | 4A6907G03   | 1               |  |  |  |  |  |  |
|   |   | Prep Tables                                     | 4A6907G02   | 1               |  |  |  |  |  |  |
| 2   | Dial Knob   |   | 4A7052-01   | 1               |  |  |  |  |  |  |
| 3   | Control Module Bracket                              |   | 3B0732-01   | 1               |  |  |  |  |  |  |
| 4   | Cabinet Thermometer                                 |   | 461083-02   | 1               |  |  |  |  |  |  |
| 5   | Center Rear Pilaster                                | UC/WT/<br>Prep Tables<br>Except<br>-D(x) Models | 4A5417-01   | 2               |  |  |  |  |  |  |
| 6   | Front and Side Pilaster                             | Door/Door                                       | 4A5419-01   | 6               |  |  |  |  |  |  |
|   |   | Door/Drawer                                     |             | 4               |  |  |  |  |  |  |
| 7   | Shelf   | Door/Door                                       | 3A2830-08   | 2               |  |  |  |  |  |  |
|   |   | Door/Drawer                                     |             | 1               |  |  |  |  |  |  |
| 8   | Shelf Clip  | Door/Door                                       | 4A5418-01   | 8               |  |  |  |  |  |  |
|   |   | Door/Drawer                                     |             | 4               |  |  |  |  |  |  |
| 9   | Bumpers   |   | 3A6696-01   | 2               |  |  |  |  |  |  |
| 10  | Wire Harness (includes power cord)                  |   | 4A6865-01   | 1               |  |  |  |  |  |  |
| 11  | Rear Panel  |   | 1A6169-01   | 1               |  |  |  |  |  |  |
| 12  | LED Driver  | UR48B-GLP01                                     | 1A5501-01   | 1               |  |  |  |  |  |  |
| 13  | LED Lamp  |   | 3A9348-01   | 2               |  |  |  |  |  |  |
| 14  | LED Clip  |   | 4A5906-01   | 4               |  |  |  |  |  |  |
| 15  | LED Switch  |   | 4A6067-01   | 1               |  |  |  |  |  |  |
| 16  | LED Switch Gasket                                   |   | 4A6075-01   | 1               |  |  |  |  |  |  |
| 17  | Channel   |   | 4A6064-01   | 1               |  |  |  |  |  |  |
| 18  | LED Wire Harness                                    |   | 4A6080-01   | 1               |  |  |  |  |  |  |
| <b>Prep Table Specific Parts</b>  |   |   |             |                 |  |  |  |  |  |  |
| 19  | Rail Hood   | -8  | 3A9404A01   | 1               |  |  |  |  |  |  |
|   |   | -12, -12D2, -12D4                               | 3A9394A01   | 1               |  |  |  |  |  |  |
|   |   | -12M  | 3A9403A01   | 1               |  |  |  |  |  |  |
|   |   | -18M, -18MD2, -18MD4                            | 3A9395A01   | 1               |  |  |  |  |  |  |
| 20  | Rail Cover Assembly (includes items 21 through 25a) | -8  | 3A9405A01   | 1               |  |  |  |  |  |  |
|   |   | -12, -12D2, -12D4                               | 3A9398A01   | 1               |  |  |  |  |  |  |
|   |   | -12M  | 3A9402A01   | 1               |  |  |  |  |  |  |
|   |   | -18M, -18MD2, -18MD4                            | 3A9399A01   | 1               |  |  |  |  |  |  |
| 21  | Pivot Pin   |   | 4A6161-01   | 2               |  |  |  |  |  |  |
| 22  | Pivot Bolt  |   | 4A6160-01   | 2               |  |  |  |  |  |  |
| 23  | Flat Washer   |   | 7W22I0832   | 2               |  |  |  |  |  |  |
| 24  | Tree Clip   |   | 4A0579-01   | 2               |  |  |  |  |  |  |
| 25  | Handle  |   | 1A3416-01   | 1               |  |  |  |  |  |  |
| 25a   | Pan Head Screw                                      |   | 7C12I1412   | 2               |  |  |  |  |  |  |

| Title: A. Main Assembly Models: UR48B, WR48B, SR48B, UF48B, and WF48B Undercounter, Worktop, and Prep Table |                                      |                                |                           |                 |  |  |  |  |  |  |  |  |
|---|--------------------------------------|--------------------------------|---------------------------|-----------------|--|--|--|--|--|--|--|--|
| Index No.   | Description                          | Material or Model Number       | Part Number               | Required Number |  |  |  |  |  |  |  |  |
|   |                                      |                                |                           | L-5             |  |  |  |  |  |  |  |  |
| 26  | Right Cutting Board Bracket          |                                | <a href="#">3A8971-02</a> | 1               |  |  |  |  |  |  |  |  |
| 27  | Left Cutting Board Bracket           |                                | <a href="#">3A8971-01</a> | 1               |  |  |  |  |  |  |  |  |
| 28  | Center Cutting Board Bracket         | -8, -12, -12D2, -12D4          | <a href="#">4A5905-01</a> | 2               |  |  |  |  |  |  |  |  |
|   |                                      | -12M, -18M, -18MD2, -18MD4     | <a href="#">4A6794-01</a> | 3               |  |  |  |  |  |  |  |  |
| 29  | Rail Divider A (front-to-back)       | -8 (HS-5188)                   | <a href="#">3A8904-01</a> | 1               |  |  |  |  |  |  |  |  |
|   |                                      | -12, -12D2, -12D4 (HS-5188)    |                           | 2               |  |  |  |  |  |  |  |  |
|   |                                      | -12M (HS-5184)                 | <a href="#">3A8855-01</a> | 1               |  |  |  |  |  |  |  |  |
|   |                                      | -18M, -18MD2, -18MD4 (HS-5184) |                           | 2               |  |  |  |  |  |  |  |  |
| 30  | Rail Divider B (side-to-side)        | -8 (HS-5189)                   | <a href="#">3B0027-01</a> | 1               |  |  |  |  |  |  |  |  |
|   |                                      | -12, -12D2, -12D4 (HS-5189)    |                           | 2               |  |  |  |  |  |  |  |  |
|   |                                      | -12M (HS-5185)                 | <a href="#">3B0027-03</a> | 4               |  |  |  |  |  |  |  |  |
|   | (outer side-to-side)                 | -18M -18MD2, -18MD4 (HS-5185)  |                           | 4               |  |  |  |  |  |  |  |  |
| 31  | Rail Divider C (center side-to-side) | -12                            | <a href="#">3B0028-01</a> | 1               |  |  |  |  |  |  |  |  |
|   |                                      | -18M, -18MD2, -18MD4 (HS-5186) | <a href="#">3B0028-03</a> | 2               |  |  |  |  |  |  |  |  |
| 32  | Catch Tray                           | -8                             | <a href="#">1A6260-01</a> | 1               |  |  |  |  |  |  |  |  |
|   |                                      | -12, -12D2, -12D4              | <a href="#">1A4221-03</a> | 1               |  |  |  |  |  |  |  |  |
|   | (includes items 33 through 35)       | -12M                           | <a href="#">2A9781A02</a> | 1               |  |  |  |  |  |  |  |  |
|   |                                      | -18M, -18MD2, -18MD4           | <a href="#">2A8667A01</a> | 1               |  |  |  |  |  |  |  |  |
| 33  | Handle                               | 12M                            | <a href="#">4A4518-01</a> | 1               |  |  |  |  |  |  |  |  |
|   |                                      | -18M, -18MD2, -18MD4           |                           | 2               |  |  |  |  |  |  |  |  |
| 34  | Pan Head Screw                       | -12M                           | <a href="#">7C1210838</a> | 2               |  |  |  |  |  |  |  |  |
|   |                                      | -18M, -18MD2, -18MD4           |                           | 4               |  |  |  |  |  |  |  |  |
| 35  | Flat Washer                          | -12M, -12MD2                   | <a href="#">7W22-0500</a> | 2               |  |  |  |  |  |  |  |  |
|   |                                      | -18M, -18MD2, -18MD4           | <a href="#">7W22-0400</a> | 4               |  |  |  |  |  |  |  |  |

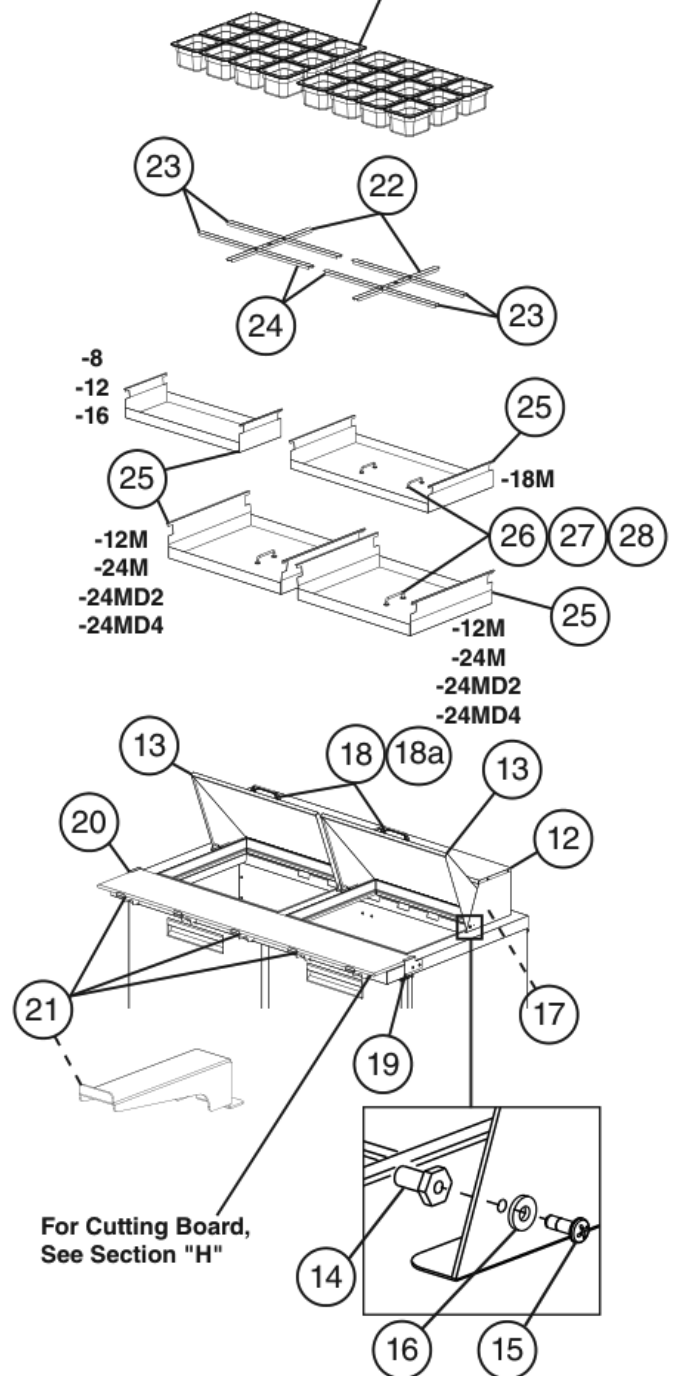
**A. Main Assembly**  
**UR60B, WR60B, SR60B, UF60B, and WF60B Undercounter, Worktop,**  
**and Prep Table**  
 L-5, M-5

**Undercounter, Worktop, Prep Table**  
**Common Parts**



**Prep Table**  
**Specific Parts**

For Pans, see Section "H"



Model Shown: SR60B-24M

**Title: A. Main Assembly Models: UR60B, WR60B, SR60B, UF60B, and WF60B Undercounter, Worktop, and Prep Table**

| Index No.           | Description                        | Material or Model Number                     | Part Number | Required Number |  |  |  |  |  |  |  |  |  |  |  |  |  |  |  |  |  |
|---------------------|------------------------------------|--|-------------|-----------------|--|--|--|--|--|--|--|--|--|--|--|--|--|--|--|--|--|
|                     |                                    |  |             | L-5             |  |  |  |  |  |  |  |  |  |  |  |  |  |  |  |  |  |
| <b>Common Parts</b> |                                    |  |             |                 |  |  |  |  |  |  |  |  |  |  |  |  |  |  |  |  |  |
| 1                   | Control Module                     | <b>UC/WT Refrigerator</b>                    | 4A6907G01   | 1               |  |  |  |  |  |  |  |  |  |  |  |  |  |  |  |  |  |
|                     |                                    | <b>UC/WT Freezers</b>                        | 4A6907G03   | 1               |  |  |  |  |  |  |  |  |  |  |  |  |  |  |  |  |  |
|                     |                                    | <b>Prep Tables</b>                           | 4A6907G02   | 1               |  |  |  |  |  |  |  |  |  |  |  |  |  |  |  |  |  |
| 2                   | Dial Knob                          |  | 4A7052-01   | 1               |  |  |  |  |  |  |  |  |  |  |  |  |  |  |  |  |  |
| 3                   | Control Module Bracket             |  | 3B0732-01   | 1               |  |  |  |  |  |  |  |  |  |  |  |  |  |  |  |  |  |
| 4                   | Cabinet Thermometer                |  | 461083-02   | 1               |  |  |  |  |  |  |  |  |  |  |  |  |  |  |  |  |  |
| 5                   | Center Rear Pilaster               | <b>UC/WT/Prep Tables Except -D(x) Models</b> | 4A5417-01   | 2               |  |  |  |  |  |  |  |  |  |  |  |  |  |  |  |  |  |
| 6                   | Front and Side Pilaster            | <b>Door/Door</b>                             | 4A5719-01   | 6               |  |  |  |  |  |  |  |  |  |  |  |  |  |  |  |  |  |
|                     |                                    | <b>Door/Drawer</b>                           |             | 4               |  |  |  |  |  |  |  |  |  |  |  |  |  |  |  |  |  |
| 7                   | Shelf                              | <b>Door/Door</b>                             | 3A2830-09   | 2               |  |  |  |  |  |  |  |  |  |  |  |  |  |  |  |  |  |
|                     |                                    | <b>Door/Drawer</b>                           |             | 1               |  |  |  |  |  |  |  |  |  |  |  |  |  |  |  |  |  |
| 8                   | Shelf Clip                         | <b>Door/Door</b>                             | 4A5418-01   | 8               |  |  |  |  |  |  |  |  |  |  |  |  |  |  |  |  |  |
|                     |                                    | <b>Door/Drawer</b>                           |             | 4               |  |  |  |  |  |  |  |  |  |  |  |  |  |  |  |  |  |
| 9                   | Bumpers                            |  | 3A6696-01   | 2               |  |  |  |  |  |  |  |  |  |  |  |  |  |  |  |  |  |
| 10                  | Wire Harness (includes power cord) |  | 4A6865-01   | 1               |  |  |  |  |  |  |  |  |  |  |  |  |  |  |  |  |  |
| 11                  | Rear Panel                         |  | 1A6155-01   | 1               |  |  |  |  |  |  |  |  |  |  |  |  |  |  |  |  |  |

| Title: A. Main Assembly Models: UR60B, WR60B, SR60B, UF60B, and WF60B Undercounter, Worktop, and Prep Table |  |                          |             |                 |  |  |  |  |  |  |  |  |
|---|--|--------------------------|-------------|-----------------|--|--|--|--|--|--|--|--|
| Index No.   | Description  | Material or Model Number | Part Number | Required Number |  |  |  |  |  |  |  |  |
|   |  |                          |             | L-5             |  |  |  |  |  |  |  |  |
| <b>Prep Table Specific Parts</b>  |  |                          |             |                 |  |  |  |  |  |  |  |  |
| 12  | Rail Hood  | -8                       | 3A9404A01   | 1               |  |  |  |  |  |  |  |  |
|   |  | -12                      | 3A9394A01   | 1               |  |  |  |  |  |  |  |  |
|   |  | -16                      | 3A9396A01   | 1               |  |  |  |  |  |  |  |  |
|   |  | -12M                     | 3A9403A01   | 1               |  |  |  |  |  |  |  |  |
|   |  | -18M                     | 3A9395A01   | 1               |  |  |  |  |  |  |  |  |
|   |  | -24M(D2)(D4)             | 3A9403A01   | 2               |  |  |  |  |  |  |  |  |
| 13  | Rail Cover Assembly<br>(includes items 14 through 18a) | -8                       | 3A9405A01   | 1               |  |  |  |  |  |  |  |  |
|   |  | -12                      | 3A9398A01   | 1               |  |  |  |  |  |  |  |  |
|   |  | -16                      | 3A9400A01   | 1               |  |  |  |  |  |  |  |  |
|   |  | -12M                     | 3A9402A01   | 1               |  |  |  |  |  |  |  |  |
|   |  | -18M                     | 3A9399A01   | 1               |  |  |  |  |  |  |  |  |
|   |  | -24M(D2)(D4)             | 3A9402A01   | 2               |  |  |  |  |  |  |  |  |
| 14  | Pivot Pin  | -8, -12, -16, 18M        | 4A6161-01   | 2               |  |  |  |  |  |  |  |  |
|   |  | -24M(D2)(D4)             |             | 4               |  |  |  |  |  |  |  |  |
| 15  | Pivot Bolt   | -8, -12, -16, 18M        | 4A6160-01   | 2               |  |  |  |  |  |  |  |  |
|   |  | -24M(D2)(D4)             |             | 4               |  |  |  |  |  |  |  |  |
| 16  | Flat Washer  | -8, -12, -16, 18M        | 7W2210832   | 2               |  |  |  |  |  |  |  |  |
|   |  | -24M(D2)(D4)             |             | 4               |  |  |  |  |  |  |  |  |
| 17  | Tree Clip  | -8, -12, -16, 18M        | 4A0579-01   | 2               |  |  |  |  |  |  |  |  |
|   |  | -24M(D2)(D4)             |             | 4               |  |  |  |  |  |  |  |  |
| 18  | Handle   | -8, -12, -16, 18M        | 1A3416-01   | 1               |  |  |  |  |  |  |  |  |
|   |  | -24M(D2)(D4)             |             | 2               |  |  |  |  |  |  |  |  |
| 18a   | Pan Head Screw   | -8, -12, -16, 18M        | 7C1211412   | 2               |  |  |  |  |  |  |  |  |
|   |  | -24M(D2)(D4)             |             | 4               |  |  |  |  |  |  |  |  |
| 19  | Right Cutting Board Bracket                            |                          | 3A8971-02   | 1               |  |  |  |  |  |  |  |  |
| 20  | Left Cutting Board Bracket                             |                          | 3A8971-01   | 1               |  |  |  |  |  |  |  |  |
| 21  | Center Cutting Board Bracket                           | -8, -12, -16             | 4A5905-01   | 3               |  |  |  |  |  |  |  |  |
|   |  | -12M, -18M, -24M(D2)(D4) | 4A6794-01   | 3               |  |  |  |  |  |  |  |  |

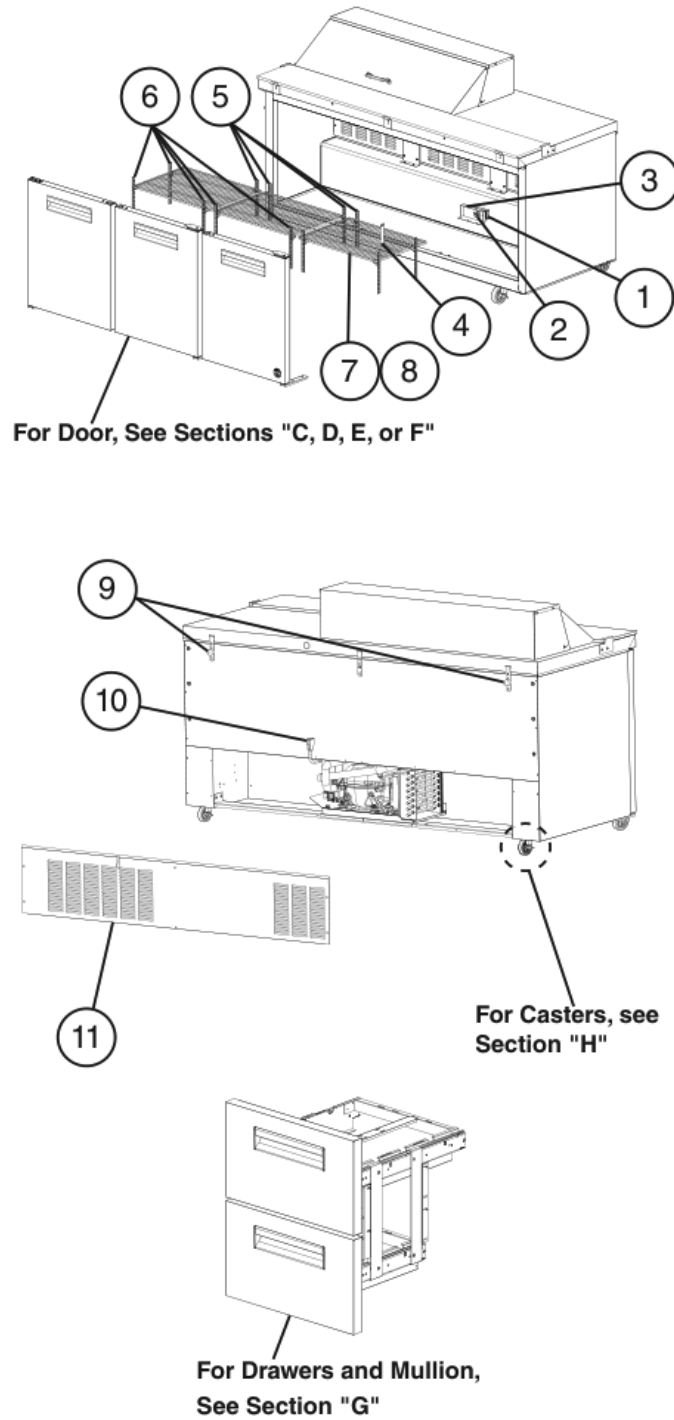
| Title: A. Main Assembly Models: UR60B, WR60B, SR60B, UF60B, and WF60B Undercounter, Worktop, and Prep Table |   |                                 |             |                 |     |  |  |  |  |  |  |
|---|---|---------------------------------|-------------|-----------------|-----|--|--|--|--|--|--|
| Index No.   | Description                             | Material or Model Number        | Part Number | Required Number |     |  |  |  |  |  |  |
|   |   |                                 |             | L-5             | M-5 |  |  |  |  |  |  |
| 22  | Rail Divider A<br>(front-to-back)       | -8<br>(HS-5188)                 | 3A8904-01   | 1               |     |  |  |  |  |  |  |
|   |   | -12,<br>(HS-5188)               |             | 2               |     |  |  |  |  |  |  |
|   |   | -16<br>(HS-5188)                |             | 3               |     |  |  |  |  |  |  |
|   |   | -12M<br>(HS-5184)               | 3A8855-01   | 1               |     |  |  |  |  |  |  |
|   |   | -18M, -24M(D2)(D4)<br>(HS-5184) |             | 2               |     |  |  |  |  |  |  |
| 23  | Rail Divider B<br>(side-to-side)        | -8<br>(HS-5189)                 | 3B0027-01   | 2               |     |  |  |  |  |  |  |
|   | (outer side to side)                    | -12<br>(HS-5189)                |             | 2               |     |  |  |  |  |  |  |
|   |   | -16<br>(HS-5189)                |             | 2               |     |  |  |  |  |  |  |
|   | (side to side)                          | -12M<br>(HS-5185)               | 3B0027-03   | 4               |     |  |  |  |  |  |  |
|   | (outer side-to-side)                    | -18M<br>(HS-5185)               |             | 4               |     |  |  |  |  |  |  |
|   | (side to side)                          | -24M(D2)(D4)<br>(HS-5185)       |             | 8               |     |  |  |  |  |  |  |
| 24  | Rail Divider C<br>(center side-to-side) | -12<br>(HS-5190)                | 3B0028-01   | 1               |     |  |  |  |  |  |  |
|   |   | -16<br>(HS-5190)                |             | 2               |     |  |  |  |  |  |  |
|   |   | -18M<br>(HS-5186)               | 3B0028-03   | 2               |     |  |  |  |  |  |  |
| 25  | Catch Tray                              | -8                              | 1A6260-01   | 1               |     |  |  |  |  |  |  |
|   |   | -12                             | 1A4221-03   | 1               |     |  |  |  |  |  |  |
|   |   | -16                             | 1A4221-01   | 2               |     |  |  |  |  |  |  |
|   | (includes items 26<br>through 28)       | -18M                            | 2A8667A01   | 1               |     |  |  |  |  |  |  |
|   |   | -12M                            | 2A9781A02   | 1               |     |  |  |  |  |  |  |
|   |   | -24M(D2)(D4)                    |             | 2               |     |  |  |  |  |  |  |
| 26  | Handle                                  | -12M                            | 4A4518-01   | 1               |     |  |  |  |  |  |  |
|   |   | -18M, -24M(D2)(D4)              |             | 2               |     |  |  |  |  |  |  |
| 27  | Pan Head Screw                          | -12M                            | 7C1210838   | 2               |     |  |  |  |  |  |  |
|   |   | -18M, -24M(D2)(D4)              |             | 4               |     |  |  |  |  |  |  |
| 28  | Flat Washer                             | -12M                            | 7W22-0500   | 2               |     |  |  |  |  |  |  |
|   |   | -24M(D2)(D4)                    |             | 4               |     |  |  |  |  |  |  |
|   |   | -18M                            | 7W22-0400   | 4               |     |  |  |  |  |  |  |

# A. Main Assembly

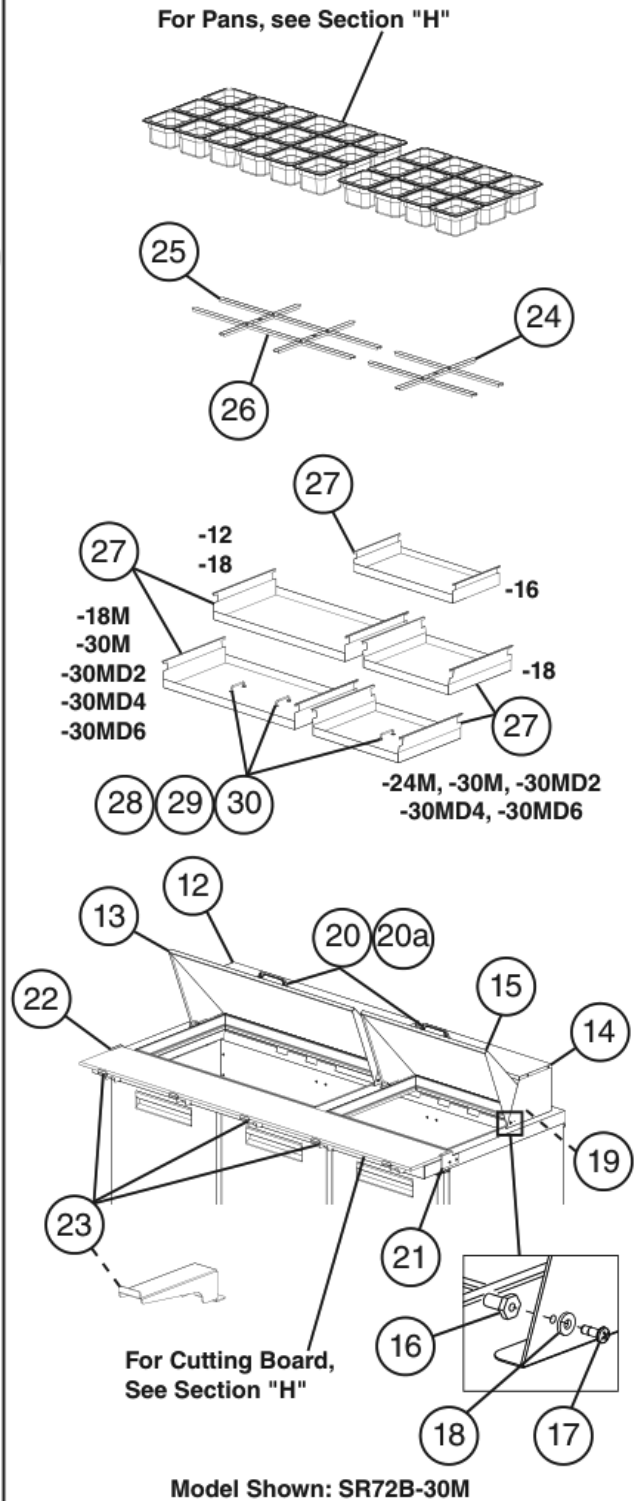
## UR72B, WR72B, SR72B Undercounter, Worktop, and Prep Table

L-5, M-5

### Undercounter, Worktop, Prep Table Common Parts



### Prep Table Specific Parts

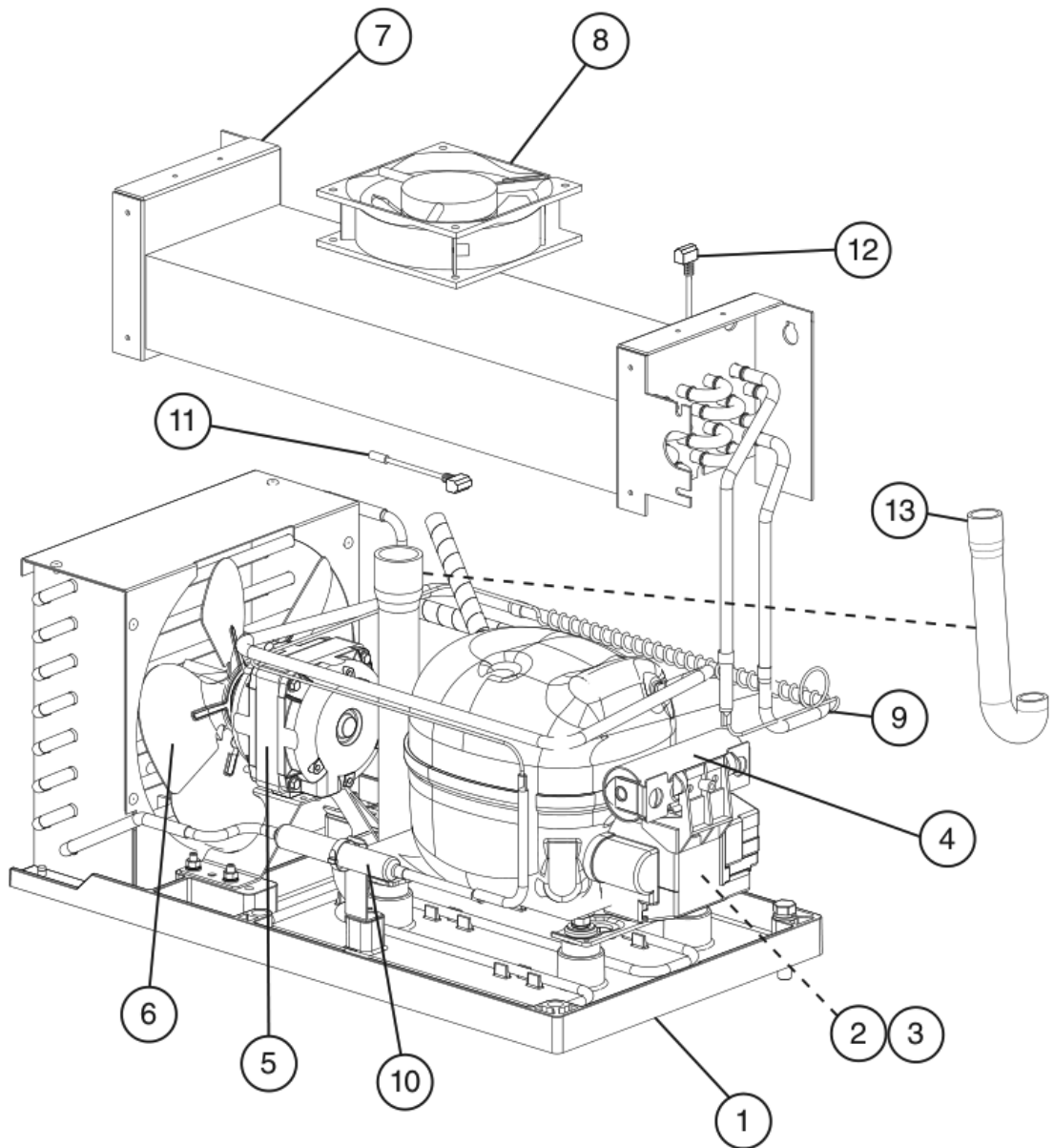


| Title: A. Main Assembly Models: UR72B, WR72B, SR72B Undercounter, Worktop, and Prep Table |  |  |             |                 |  |  |  |  |  |  |
|---|--|--|-------------|-----------------|--|--|--|--|--|--|
| Index No.   | Description  | Material or Model Number   | Part Number | Required Number |  |  |  |  |  |  |
|   |  |  |             | L-5             |  |  |  |  |  |  |
| <b>Common Parts</b>   |  |  |             |                 |  |  |  |  |  |  |
| 1   | Control Module   | UC/WT Refrigerator   | 4A6907G01   | 1               |  |  |  |  |  |  |
|   |  | Prep Tables  | 4A6907G02   | 1               |  |  |  |  |  |  |
| 2   | Dial Knob  |  | 4A7052-01   | 1               |  |  |  |  |  |  |
| 3   | Control Module Bracket   |  | 3B0732-01   | 1               |  |  |  |  |  |  |
| 4   | Cabinet Thermometer  |  | 461083-02   | 1               |  |  |  |  |  |  |
| 5   | Center Rear Pilaster   | SR72B-30MD2  | 4A5417-01   | 2               |  |  |  |  |  |  |
|   |  | UR72B(-01), WR72B(-01)<br>SR72B-12, -16, -18(M)<br>SR72B-24M, -30M |             | 4               |  |  |  |  |  |  |
| 6   | Front and Side Pilaster  | SR72B-30MD4  | 4A5719-01   | 4               |  |  |  |  |  |  |
|   |  | SR72B-30MD2  |             | 6               |  |  |  |  |  |  |
|   |  | UR72B(-01), WR72B(-01)<br>SR72B-12, -16, -18(M)<br>SR72B-24M, -30M |             | 8               |  |  |  |  |  |  |
| 7   | Shelf  | SR72B-30MD2  | 3A2830-07   | 2               |  |  |  |  |  |  |
|   |  | UR72B(-01), WR72B(-01)<br>SR72B-12, -16, -18(M)<br>SR72B-24M, -30M |             | 3               |  |  |  |  |  |  |
|   |  | SR72B-30MD4  | 3A2830-08   | 1               |  |  |  |  |  |  |
| 8   | Shelf Clip   | SR72B-30MD4  | 4A5418-01   | 4               |  |  |  |  |  |  |
|   |  | SR72B-30MD2  |             | 8               |  |  |  |  |  |  |
|   |  | UR72B(-01), WR72B(-01)<br>SR72B-12, -16, -18(M)<br>SR72B-24M, -30M |             | 12              |  |  |  |  |  |  |
| 9   | Bumpers  |  | 3A6696-01   | 2               |  |  |  |  |  |  |
| 10  | Wire Harness<br>(includes power cord)                              |  | 4A6865-01   | 1               |  |  |  |  |  |  |
| 11  | Rear Panel   |  | 1A6182-01   | 1               |  |  |  |  |  |  |
| <b>Prep Table Specific Parts</b>  |  |  |             |                 |  |  |  |  |  |  |
| 12  | Rail Hood  | -12  | 3A9394A01   | 1               |  |  |  |  |  |  |
|   |  | -16  | 3A9396A01   | 1               |  |  |  |  |  |  |
|   |  | -18  | 3A9397A01   | 1               |  |  |  |  |  |  |
|   |  | -18M   | 3A9395A01   | 1               |  |  |  |  |  |  |
|   | Left Rail Hood   | -24M   | 3A9403A01   | 1               |  |  |  |  |  |  |
|   |  | -30M(D2)(D4)(D6)   | 3A9395A01   | 1               |  |  |  |  |  |  |
| 13  | Rail Cover Assembly<br>(includes items 16<br>through 20a)          | -12  | 3A9398A01   | 1               |  |  |  |  |  |  |
|   |  | -16  | 3A9400A01   | 1               |  |  |  |  |  |  |
|   |  | -18  | 3A9401A01   | 1               |  |  |  |  |  |  |
|   |  | -18M   | 3A9399A01   | 1               |  |  |  |  |  |  |
|   | Left Rail Cover<br>(includes items 16<br>through 20a)              | -24M   | 3A9402A01   | 1               |  |  |  |  |  |  |
| -30M(D2)(D4)(D6)  |  | 3A9399A01  | 1           |                 |  |  |  |  |  |  |
| 14  | Right Rail Hood  | -24M   | 3A9403A01   | 1               |  |  |  |  |  |  |
|   |  | -30M(D2)(D4)(D6)   |             | 1               |  |  |  |  |  |  |
| 15  | Right Rail Cover<br>Assembly<br>(includes items 16<br>through 20a) | -24M   | 3A9402A01   | 1               |  |  |  |  |  |  |
|   |  | -30M(D2)(D4)(D6)   |             | 1               |  |  |  |  |  |  |

| Title: A. Main Assembly Models: UR72B, WR72B, SR72B Undercounter, Worktop, and Prep Table |                                      |                                  |                           |                 |     |  |  |  |  |  |
|---|--------------------------------------|----------------------------------|---------------------------|-----------------|-----|--|--|--|--|--|
| Index No.   | Description                          | Material or Model Number         | Part Number               | Required Number |     |  |  |  |  |  |
|   |                                      |                                  |                           | L-5             | M-5 |  |  |  |  |  |
| 16  | Pivot Pin                            | -12, -16, -18, -18M              | <a href="#">4A6161-01</a> | 2               |     |  |  |  |  |  |
|   |                                      | -24M, -30M(D2)(D4)(D6)           |                           | 4               |     |  |  |  |  |  |
| 17  | Pivot Bolt                           | -12, -16, -18, -18M              | <a href="#">4A6160-01</a> | 2               |     |  |  |  |  |  |
|   |                                      | -24M, -30M(D2)(D4)(D6)           |                           | 4               |     |  |  |  |  |  |
| 18  | Flat Washer                          | -12, -16, -18, -18M              | <a href="#">7W22I0832</a> | 2               |     |  |  |  |  |  |
|   |                                      | -24M, -30M(D2)(D4)(D6)           |                           | 4               |     |  |  |  |  |  |
| 19  | Tree Clip                            | -12, -16, -18, -18M              | <a href="#">4A0579-01</a> | 2               |     |  |  |  |  |  |
|   |                                      | -24M, -30M(D2)(D4)(D6)           |                           | 4               |     |  |  |  |  |  |
| 20  | Handle                               | -12, -16, -18, -18M              | <a href="#">1A3416-01</a> | 1               |     |  |  |  |  |  |
|   |                                      | -24M, -30M(D2)(D4)(D6)           |                           | 2               |     |  |  |  |  |  |
| 20a   | Pan Head Screw                       | -12, -16, -18, -18M              | <a href="#">7C12I1412</a> | 2               |     |  |  |  |  |  |
|   |                                      | -24M, -30M(D2)(D4)(D6)           |                           | 4               |     |  |  |  |  |  |
| 21  | Right Cutting Board Bracket          |                                  | <a href="#">3A8971-02</a> | 1               |     |  |  |  |  |  |
| 22  | Left Cutting Board Bracket           |                                  | <a href="#">3A8971-01</a> | 1               |     |  |  |  |  |  |
| 23  | Center Cutting Board Bracket         | -12, -16, -18                    | <a href="#">4A5905-01</a> | 3               |     |  |  |  |  |  |
|   |                                      | -18M, -24M, -30M(D2)(D4)(D6)     | <a href="#">4A6794-01</a> | 4               |     |  |  |  |  |  |
| 24  | Rail Divider A (front-to-back)       | -12, -18 (HS-5188)               | <a href="#">3A8904-01</a> | 2               |     |  |  |  |  |  |
|   |                                      | -16 (HS-5188)                    |                           | 3               |     |  |  |  |  |  |
|   |                                      | -18M, -24M (HS-5184)             | <a href="#">3A8855-01</a> | 2               |     |  |  |  |  |  |
|   |                                      | -30M(D2)(D4)(D6) (HS-5184)       |                           | 3               |     |  |  |  |  |  |
| 25  | Rail Divider B (side-to-side)        | -12 (HS-5189)                    | <a href="#">3B0027-01</a> | 2               |     |  |  |  |  |  |
|   | (outer side to side)                 | -16 (HS-5189)                    |                           | 2               |     |  |  |  |  |  |
|   |                                      | -18 (HS-5185)                    | <a href="#">3B0027-02</a> | 2               |     |  |  |  |  |  |
|   | (outer side to side)                 | -18M (HS-5185)                   | <a href="#">3B0027-03</a> | 4               |     |  |  |  |  |  |
|   | (side to side)                       | -24M (HS-5185)                   |                           | 8               |     |  |  |  |  |  |
| (outer side-to-side)  | -30M(D2)(D4)(D6) (HS-5185)           |                                  | 8                         |                 |     |  |  |  |  |  |
| 26  | Rail Divider C (center side-to-side) | -12 (HS-5190)                    | <a href="#">3B0028-01</a> | 1               |     |  |  |  |  |  |
|   |                                      | -16 (HS-5190)                    |                           | 2               |     |  |  |  |  |  |
|   |                                      | -18 (HS-5186)                    | <a href="#">3B0028-02</a> | 1               |     |  |  |  |  |  |
|   |                                      | -18M, -30M(D2)(D4)(D6) (HS-5186) | <a href="#">3B0028-03</a> | 2               |     |  |  |  |  |  |

| Title: A. Main Assembly    Models: UR72B, WR72B, SR72B Undercounter, Worktop, and Prep Table |                |                          |             |                 |  |  |  |  |  |  |  |
|--|----------------|--------------------------|-------------|-----------------|--|--|--|--|--|--|--|
| Index No.  | Description    | Material or Model Number | Part Number | Required Number |  |  |  |  |  |  |  |
|  |                |                          |             | L-5             |  |  |  |  |  |  |  |
| 27   | Catch Tray     | -12                      | 1A4221-03   | 1               |  |  |  |  |  |  |  |
|  |                | -16                      | 1A4221-01   | 2               |  |  |  |  |  |  |  |
|  |                | -18                      | 1A6260-02   | 1               |  |  |  |  |  |  |  |
|  |                |                          | 1A6260-03   | 1               |  |  |  |  |  |  |  |
|  |                | -18M                     | 2A8667A01   | 1               |  |  |  |  |  |  |  |
|  |                | -24M                     | 2A9781A02   | 2               |  |  |  |  |  |  |  |
|  |                | -30M(D2)(D4)(D6)         |             | 1               |  |  |  |  |  |  |  |
| 2A8667A01  | 1              |                          |             |                 |  |  |  |  |  |  |  |
| 28   | Handle         | -18M, -24M               | 4A4518-01   | 2               |  |  |  |  |  |  |  |
|  |                | -30M(D2)(D4)(D6)         |             | 3               |  |  |  |  |  |  |  |
| 29   | Pan Head Screw | -18M, -24M               | 7C12I0838   | 4               |  |  |  |  |  |  |  |
|  |                | -30M(D2)(D4)(D6)         |             | 6               |  |  |  |  |  |  |  |
| 30   | Flat Washer    | -18M                     | 7W22-0400   | 4               |  |  |  |  |  |  |  |
|  |                | -30M(D2)(D4)(D6)         |             | 4               |  |  |  |  |  |  |  |
|  |                | -24M                     | 7W22-0500   | 4               |  |  |  |  |  |  |  |
|  |                | -30M(D2)(D4)(D6)         |             | 2               |  |  |  |  |  |  |  |

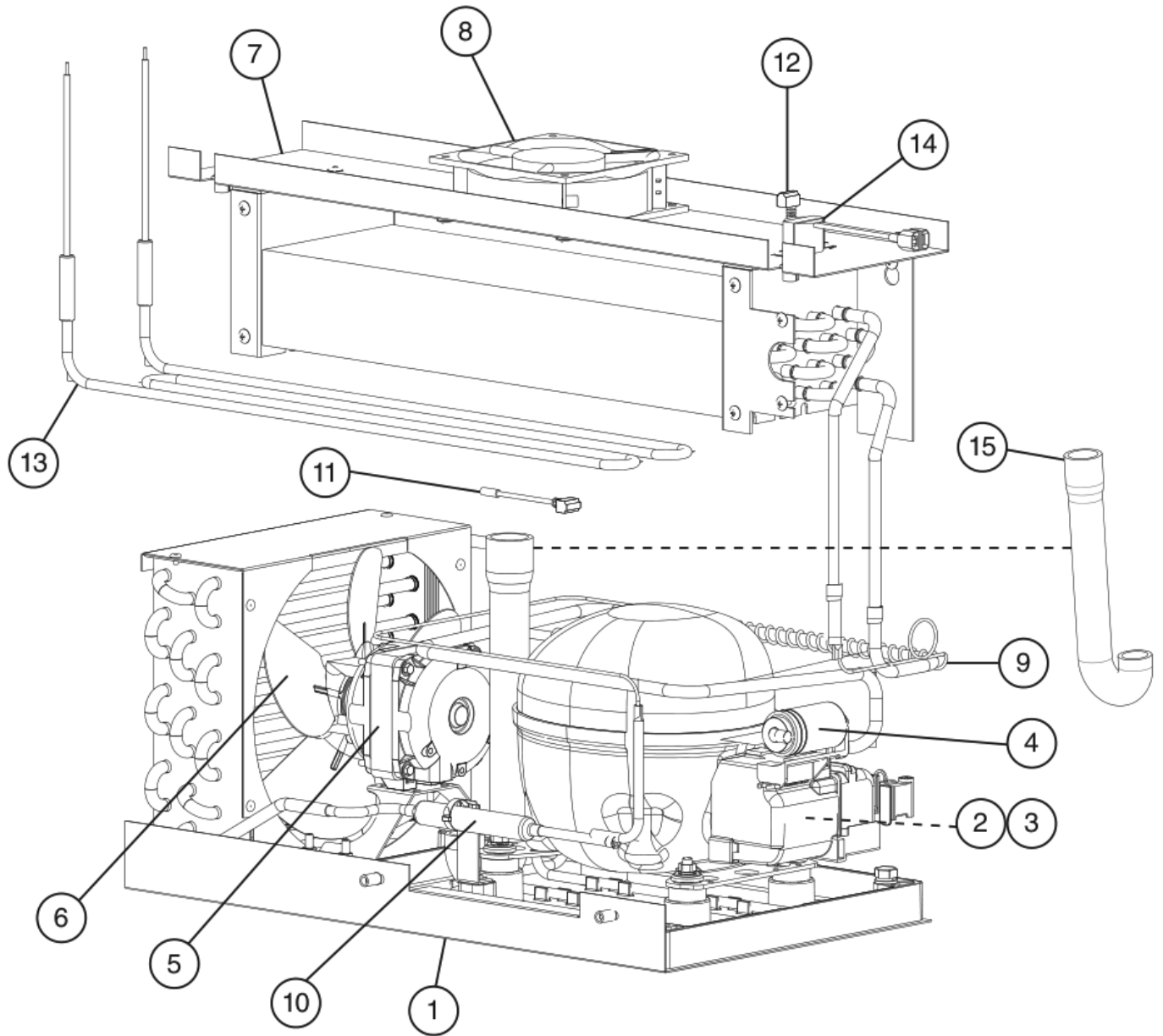
**B. Refrigeration Circuit**  
**UR27B and WR27B Undercounter and Worktop**  
K-5 to M-5



For compressor or condenser replacement, order item 1.

| Title: B. Refrigeration Circuit Models: UR27B and WR27B Undercounter, Worktop |   |                          |                           |            |                 |  |  |  |  |  |  |
|---|---|--------------------------|---------------------------|------------|-----------------|--|--|--|--|--|--|
| Index No.   | Description   | Material or Model Number | Part Number               | K-5 to M-5 | Required Number |  |  |  |  |  |  |
|   |   |                          |                           |            |                 |  |  |  |  |  |  |
| 1   | Condensing Unit (includes compressor, condenser, and items 2 through 6; compressor and condenser are not sold individually) |                          | <a href="#">3B0589-01</a> | 1          |                 |  |  |  |  |  |  |
| 2   | External Protector  |                          | <a href="#">3A9522-01</a> | 1          |                 |  |  |  |  |  |  |
| 3   | Start Relay   |                          | <a href="#">3A9523-01</a> | 1          |                 |  |  |  |  |  |  |
| 4   | Start Capacitor   | 145-175MFD, 250VAC       | <a href="#">3A9524-01</a> | 1          |                 |  |  |  |  |  |  |
| 5   | Condenser Fan Motor   |                          | <a href="#">3A6798-01</a> | 1          |                 |  |  |  |  |  |  |
| 6   | Condenser Fan Blade   |                          | <a href="#">3A6799-01</a> | 1          |                 |  |  |  |  |  |  |
| 7   | Evaporator  |                          | <a href="#">2A9386-01</a> | 1          |                 |  |  |  |  |  |  |
| 8   | Evaporator Fan Motor  |                          | <a href="#">4A6192-01</a> | 1          |                 |  |  |  |  |  |  |
| 9   | Heat Exchanger (includes capillary tube)  |                          | <a href="#">3B0763G01</a> | 1          |                 |  |  |  |  |  |  |
| 10  | Drier   |                          | <a href="#">4A5576-01</a> | 1          |                 |  |  |  |  |  |  |
| 11  | Cabinet Thermistor  |                          | <a href="#">4A6878-02</a> | 1          |                 |  |  |  |  |  |  |
| 12  | Defrost Thermistor  |                          | <a href="#">4A6878-01</a> | 1          |                 |  |  |  |  |  |  |
| 13  | Drain Hose  |                          | <a href="#">3B0477-01</a> | 1          |                 |  |  |  |  |  |  |

**B. Refrigeration Circuit**  
**SR27B, UF27B, WF27B, UR36B, WR36B, and SR36B Undercounter,**  
**Worktop, and Prep Table**  
K-5 to M-5

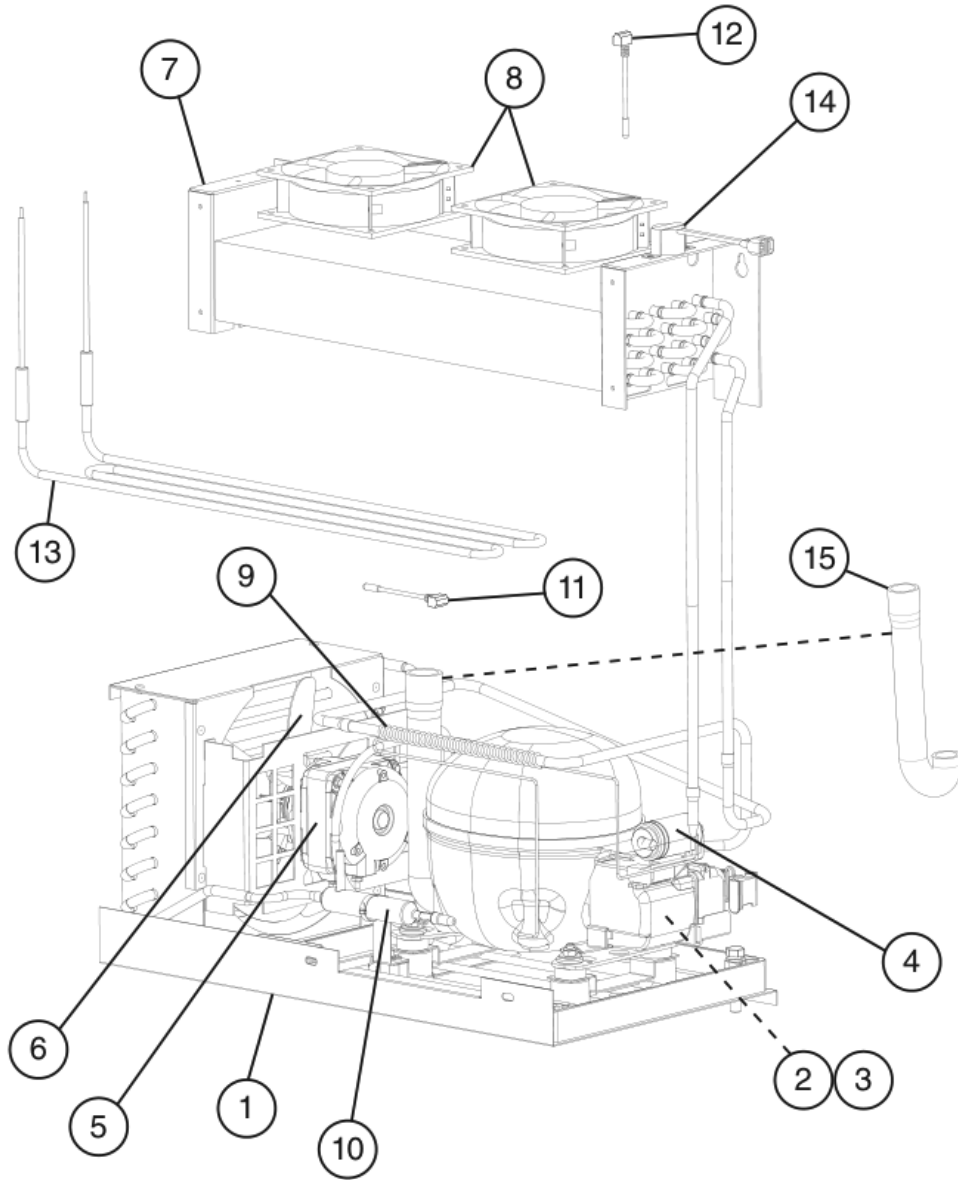


For compressor or condenser replacement, order item 1.

**Title: B. Refrigeration Circuit    Models: UF27B, WF27B, SR27B, UR36B, WR36B, and SR36B Undercounter, Worktop, and Prep Table**

| Index No. | Description   | Material or Model Number              | Part Number               | Required Number |  |  |  |  |  |  |  |  |  |
|-----------|---|---------------------------------------|---------------------------|-----------------|--|--|--|--|--|--|--|--|--|
|           |   |                                       |                           | K-5 to M-5      |  |  |  |  |  |  |  |  |  |
| 1         | Condensing Unit (includes compressor, condenser, and items 2 through 6; compressor and condenser are not sold individually) |                                       | <a href="#">3B0453-01</a> | 1               |  |  |  |  |  |  |  |  |  |
| 2         | External Protector  |                                       | <a href="#">3A9475-01</a> | 1               |  |  |  |  |  |  |  |  |  |
| 3         | PTC Start Relay   |                                       | <a href="#">3A9476-01</a> | 1               |  |  |  |  |  |  |  |  |  |
| 4         | Run Capacitor   | 12MFD, 250VAC                         | <a href="#">3A9477-01</a> | 1               |  |  |  |  |  |  |  |  |  |
| 5         | Condenser Fan Motor   |                                       | <a href="#">3A6798-01</a> | 1               |  |  |  |  |  |  |  |  |  |
| 6         | Condenser Fan Blade   |                                       | <a href="#">3A6799-01</a> | 1               |  |  |  |  |  |  |  |  |  |
| 7         | Evaporator  |                                       | <a href="#">2A9386-01</a> | 1               |  |  |  |  |  |  |  |  |  |
| 8         | Evaporator Fan Motor  |                                       | <a href="#">4A6192-01</a> | 1               |  |  |  |  |  |  |  |  |  |
| 9         | Heat Exchanger (includes capillary tube)  | <b>UF27B and WF27B</b>                | <a href="#">3B0764G01</a> | 1               |  |  |  |  |  |  |  |  |  |
|           |   | <b>SR27B, UR36B, WR36B, and SR36B</b> | <a href="#">3B0790G01</a> | 1               |  |  |  |  |  |  |  |  |  |
| 10        | Drier   |                                       | <a href="#">4A5576-01</a> | 1               |  |  |  |  |  |  |  |  |  |
| 11        | Cabinet Thermistor  |                                       | <a href="#">4A6878-02</a> | 1               |  |  |  |  |  |  |  |  |  |
| 12        | Defrost Thermistor  |                                       | <a href="#">4A6878-01</a> | 1               |  |  |  |  |  |  |  |  |  |
| 13        | Defrost Heater  | <b>SR27B, UF27B, WF27B, and SR36B</b> | <a href="#">3B0457-01</a> | 1               |  |  |  |  |  |  |  |  |  |
| 14        | Defrost Safety Thermostat   | <b>SR27B, UF27B, WF27B, and SR36B</b> | <a href="#">4A6194-01</a> | 1               |  |  |  |  |  |  |  |  |  |
| 15        | Drain Hose  |                                       | <a href="#">3B0477-01</a> | 1               |  |  |  |  |  |  |  |  |  |

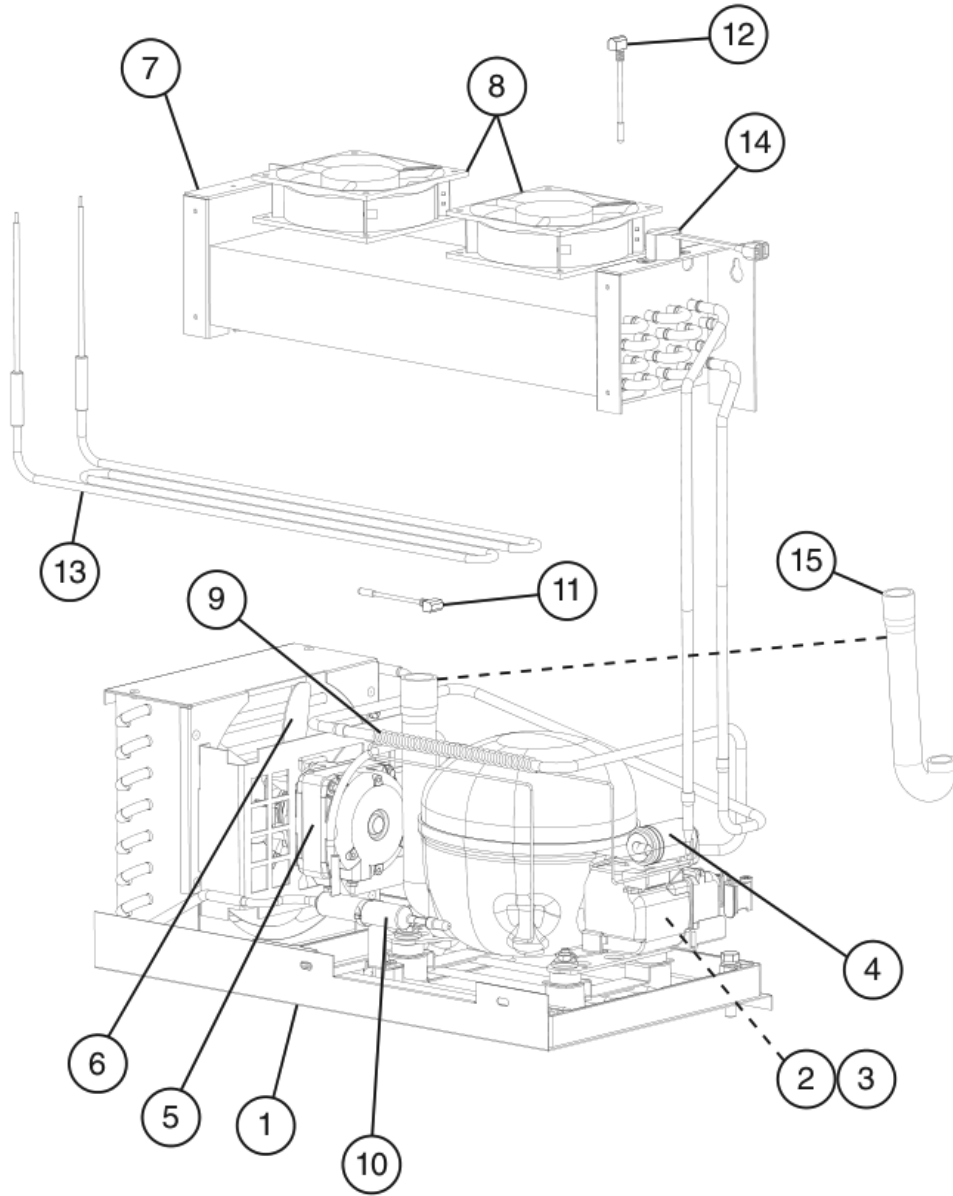
**B. Refrigeration Circuit**  
**UR48B, WR48B, UF48B, WF48B, and SR48B Undercounter, Worktop,**  
**and Prep Table**  
L-5, M-5



**For compressor or condenser replacement, order item 1.**

| Title: B. Refrigeration Circuit      Models: UR48B, WR48B, UF48B, WF48B, and SR48B Undercounter, Worktop, and Prep Table |   |                               |                           |                 |     |  |  |  |  |  |  |  |
|--|---|-------------------------------|---------------------------|-----------------|-----|--|--|--|--|--|--|--|
| Index No.  | Description   | Material or Model Number      | Part Number               | Required Number |     |  |  |  |  |  |  |  |
|  |   |                               |                           | L-5             | M-5 |  |  |  |  |  |  |  |
| 1  | Condensing Unit (includes compressor, condenser, and items 2 through 6; compressor and condenser are not sold individually) | <b>UC/WT Refrigerator</b>     | <a href="#">3B0453-01</a> | 1               |     |  |  |  |  |  |  |  |
|  |   | <b>Prep Table</b>             |                           |                 |     |  |  |  |  |  |  |  |
|  |   | <b>UC/WT Freezer</b>          | <a href="#">3B0964-01</a> | 1               |     |  |  |  |  |  |  |  |
| 2  | External Protector  | <b>UC/WT Refrigerator</b>     | <a href="#">3A9475-01</a> | 1               |     |  |  |  |  |  |  |  |
|  |   | <b>Prep Table</b>             |                           |                 |     |  |  |  |  |  |  |  |
|  |   | <b>UC/WT Freezer</b>          | <a href="#">3B0897-01</a> | 1               |     |  |  |  |  |  |  |  |
| 3  | PTC Start Relay   | <b>All</b>                    | <a href="#">3A9476-01</a> | 1               |     |  |  |  |  |  |  |  |
| 4  | Run Capacitor   | <b>UC/WT Refrigerator</b>     | <a href="#">3A9477-01</a> | 1               |     |  |  |  |  |  |  |  |
|  |   | <b>Prep Table</b>             |                           |                 |     |  |  |  |  |  |  |  |
|  |   | <b>Freezer</b>                | <a href="#">3B0898-01</a> | 1               |     |  |  |  |  |  |  |  |
|  |   | <b>20MFD, 250VAC</b>          |                           |                 |     |  |  |  |  |  |  |  |
| 5  | Condenser Fan Motor   |                               | <a href="#">3A6798-01</a> | 1               |     |  |  |  |  |  |  |  |
| 6  | Condenser Fan Blade   |                               | <a href="#">3A6799-01</a> | 1               |     |  |  |  |  |  |  |  |
| 7  | Evaporator  |                               | <a href="#">2A9386-01</a> | 1               |     |  |  |  |  |  |  |  |
| 8  | Evaporator Fan Motor  |                               | <a href="#">4A6192-01</a> | 2               |     |  |  |  |  |  |  |  |
| 9  | Heat Exchanger (includes capillary tube)  | <b>UC/WT Refrigerator</b>     | <a href="#">3B0790G01</a> | 1               |     |  |  |  |  |  |  |  |
|  |   | <b>Prep Table</b>             | <a href="#">3B0805G01</a> | 1               |     |  |  |  |  |  |  |  |
|  |   | <b>UC/WT Freezer</b>          | <a href="#">3B0820G01</a> | 1               |     |  |  |  |  |  |  |  |
| 10   | Drier   |                               | <a href="#">4A5576-01</a> | 1               |     |  |  |  |  |  |  |  |
| 11   | Cabinet Thermistor  |                               | <a href="#">4A6878-02</a> | 1               |     |  |  |  |  |  |  |  |
| 12   | Defrost Thermistor  |                               | <a href="#">4A6878-01</a> | 1               |     |  |  |  |  |  |  |  |
| 13   | Defrost Heater  | <b>Prep Table and Freezer</b> | <a href="#">3B0457-01</a> | 1               |     |  |  |  |  |  |  |  |
| 14   | Defrost Safety Thermostat   | <b>Prep Table and Freezer</b> | <a href="#">4A6194-01</a> | 1               |     |  |  |  |  |  |  |  |
| 15   | Drain Hose  |                               | <a href="#">3B0477-01</a> | 1               |     |  |  |  |  |  |  |  |

**B. Refrigeration Circuit**  
**UR60B, WR60B, UF60B, WF60B, and SR60B Undercounter, Worktop,**  
**and Prep Table**  
L-5, M-5



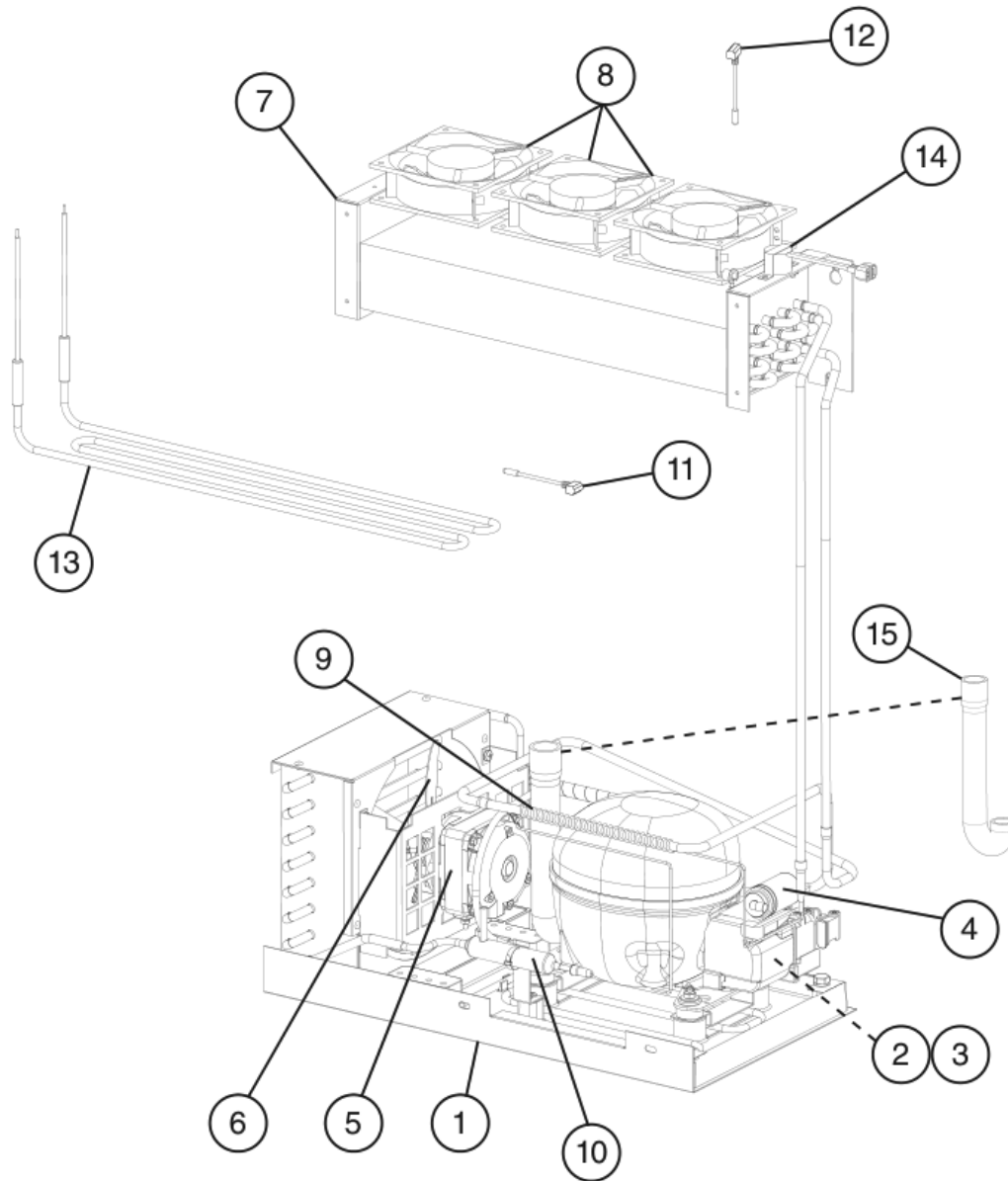
**For compressor or condenser replacement, order item 1.**

| Title: B. Refrigeration Circuit      Models: UR60B, WR60B, UF60B, WF60B, and SR60B Undercounter, Worktop, and Prep Table |  |   |                           |                 |  |  |  |  |  |  |  |  |
|--|--|---|---------------------------|-----------------|--|--|--|--|--|--|--|--|
| Index No.  | Description  | Material or Model Number                              | Part Number               | Required Number |  |  |  |  |  |  |  |  |
|  |  |   |                           | L-5<br>M-5      |  |  |  |  |  |  |  |  |
| 1  | Condensing Unit<br>(includes compressor, condenser, and items 2 through 6; compressor and condenser are not sold individually) | <b>UC/WT Refrigerator</b>                             | <a href="#">3B0453-01</a> | 1               |  |  |  |  |  |  |  |  |
|  |  | <b>Prep Table/<br/>UC/WT Freezer</b>                  | <a href="#">3B0964-01</a> | 1               |  |  |  |  |  |  |  |  |
| 2  | External Protector   | <b>UC/WT Refrigerator<br/>Prep Table</b>              | <a href="#">3A9475-01</a> | 1               |  |  |  |  |  |  |  |  |
|  |  | <b>UC/WT Freezer</b>                                  | <a href="#">3B0897-01</a> | 1               |  |  |  |  |  |  |  |  |
| 3  | PTC Start Relay  |   | <a href="#">3A9476-01</a> | 1               |  |  |  |  |  |  |  |  |
| 4  | Run Capacitor  | <b>UC/WT Refrigerator</b><br>12MFD, 250VAC            | <a href="#">3A9477-01</a> | 1               |  |  |  |  |  |  |  |  |
|  |  | <b>Prep Table/<br/>UC/WT Freezer</b><br>20MFD, 250VAC | <a href="#">3B0898-01</a> | 1               |  |  |  |  |  |  |  |  |
| 5  | Condenser Fan Motor  |   | <a href="#">3A6798-01</a> | 1               |  |  |  |  |  |  |  |  |
| 6  | Condenser Fan Blade  |   | <a href="#">3A6799-01</a> | 1               |  |  |  |  |  |  |  |  |
| 7  | Evaporator   |   | <a href="#">2A9386-01</a> | 1               |  |  |  |  |  |  |  |  |
| 8  | Evaporator Fan Motor   |   | <a href="#">4A6192-01</a> | 2               |  |  |  |  |  |  |  |  |
| 9  | Heat Exchanger<br>(includes capillary tube)  | <b>UC/WT Refrigerator</b>                             | <a href="#">3B0790G01</a> | 1               |  |  |  |  |  |  |  |  |
|  |  | <b>Prep Table</b>                                     | <a href="#">3B0805G01</a> | 1               |  |  |  |  |  |  |  |  |
|  |  | <b>UC/WT Freezer</b>                                  | <a href="#">3B0820G01</a> | 1               |  |  |  |  |  |  |  |  |
| 10   | Drier  |   | <a href="#">4A5576-01</a> | 1               |  |  |  |  |  |  |  |  |
| 11   | Cabinet Thermistor   |   | <a href="#">4A6878-02</a> | 1               |  |  |  |  |  |  |  |  |
| 12   | Defrost Thermistor   |   | <a href="#">4A6878-01</a> | 1               |  |  |  |  |  |  |  |  |
| 13   | Defrost Heater   | <b>Prep Table and<br/>Freezer</b>                     | <a href="#">3B0457-01</a> | 1               |  |  |  |  |  |  |  |  |
| 14   | Defrost Safety Thermostat  | <b>Prep Table and<br/>Freezer</b>                     | <a href="#">4A6194-01</a> | 1               |  |  |  |  |  |  |  |  |
| 15   | Drain Hose   |   | <a href="#">3B0477-01</a> | 1               |  |  |  |  |  |  |  |  |

## B. Refrigeration Circuit

### UR72B, WR72B, and SR72B Undercounter, Worktop, and Prep Table

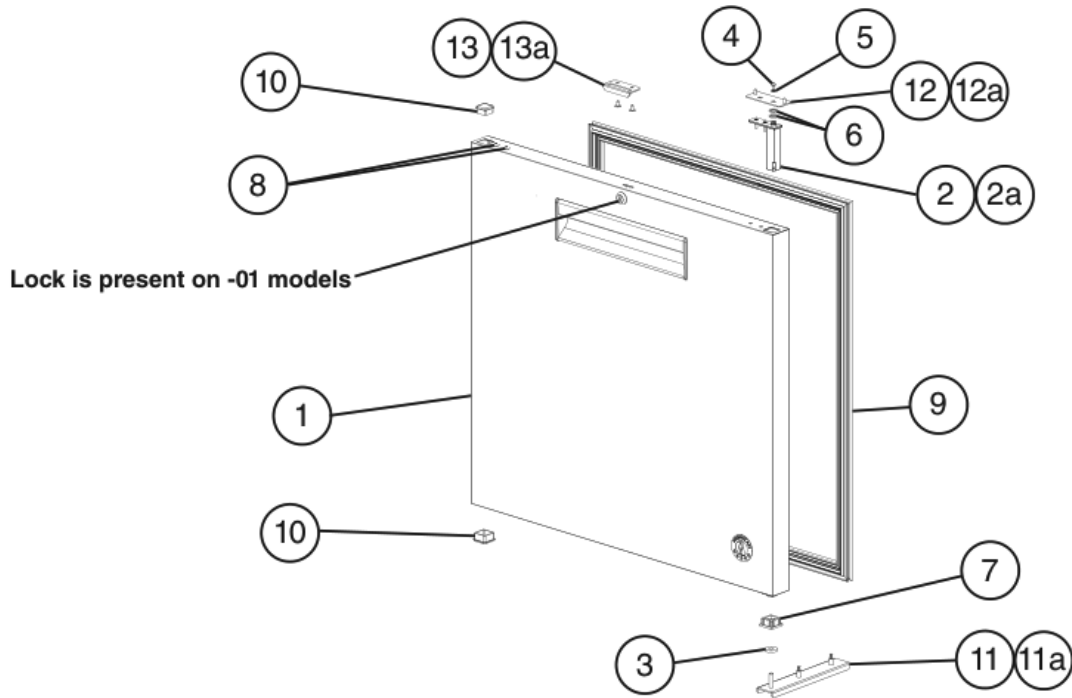
L-5, M-5



For compressor or condenser replacement, order item 1.

| Title: B. Refrigeration Circuit      Models: UR72B, WR72B, and SR72B Undercounter, Worktop, and Prep Table |  |                             |             |                 |     |  |  |  |  |  |  |
|--|--|-----------------------------|-------------|-----------------|-----|--|--|--|--|--|--|
| Index No.  | Description  | Material or Model Number    | Part Number | Required Number |     |  |  |  |  |  |  |
|  |  |                             |             | L-5             | M-5 |  |  |  |  |  |  |
| 1  | Condensing Unit<br>(includes compressor, condenser, and items 2 through 6; compressor and condenser are not sold individually) | UC/WT                       | 3B0453-01   | 1               |     |  |  |  |  |  |  |
|  |  | Prep Table                  | 3B0964-01   | 1               |     |  |  |  |  |  |  |
| 2  | External Protector   | UC/WT                       | 3A9475-01   | 1               |     |  |  |  |  |  |  |
|  |  | Prep Table                  | 3B0897-01   | 1               |     |  |  |  |  |  |  |
| 3  | PTC Start Relay  |                             | 3A9476-01   | 1               |     |  |  |  |  |  |  |
| 4  | Run Capacitor  | UC/WT<br>12MFD, 250VAC      | 3A9477-01   | 1               |     |  |  |  |  |  |  |
|  |  | Prep Table<br>20MFD, 250VAC | 3B0898-01   | 1               |     |  |  |  |  |  |  |
| 5  | Condenser Fan Motor  |                             | 3A6798-01   | 1               |     |  |  |  |  |  |  |
| 6  | Condenser Fan Blade  |                             | 3A6799-01   | 1               |     |  |  |  |  |  |  |
| 7  | Evaporator   |                             | 2A9386-01   | 1               |     |  |  |  |  |  |  |
| 8  | Evaporator Fan Motor   |                             | 4A6192-01   | 3               |     |  |  |  |  |  |  |
| 9  | Heat Exchanger<br>(includes capillary tube)  | UC/WT                       | 3B0790G01   | 1               |     |  |  |  |  |  |  |
|  |  | Prep Table                  | 3B0805G01   | 1               |     |  |  |  |  |  |  |
| 10   | Drier  |                             | 4A5576-01   | 1               |     |  |  |  |  |  |  |
| 11   | Cabinet Thermistor   |                             | 4A6878-02   | 1               |     |  |  |  |  |  |  |
| 12   | Defrost Thermistor   |                             | 4A6878-01   | 1               |     |  |  |  |  |  |  |
| 13   | Defrost Heater   | Prep Table                  | 3B0457-01   | 1               |     |  |  |  |  |  |  |
| 14   | Defrost Safety Thermostat  | Prep Table                  | 4A6194-01   | 1               |     |  |  |  |  |  |  |
| 15   | Drain Hose   |                             | 3B0477-01   | 1               |     |  |  |  |  |  |  |

### C. Door-Right Hinged Solid Undercounter, Worktop, Prep Table K-5 to M-5

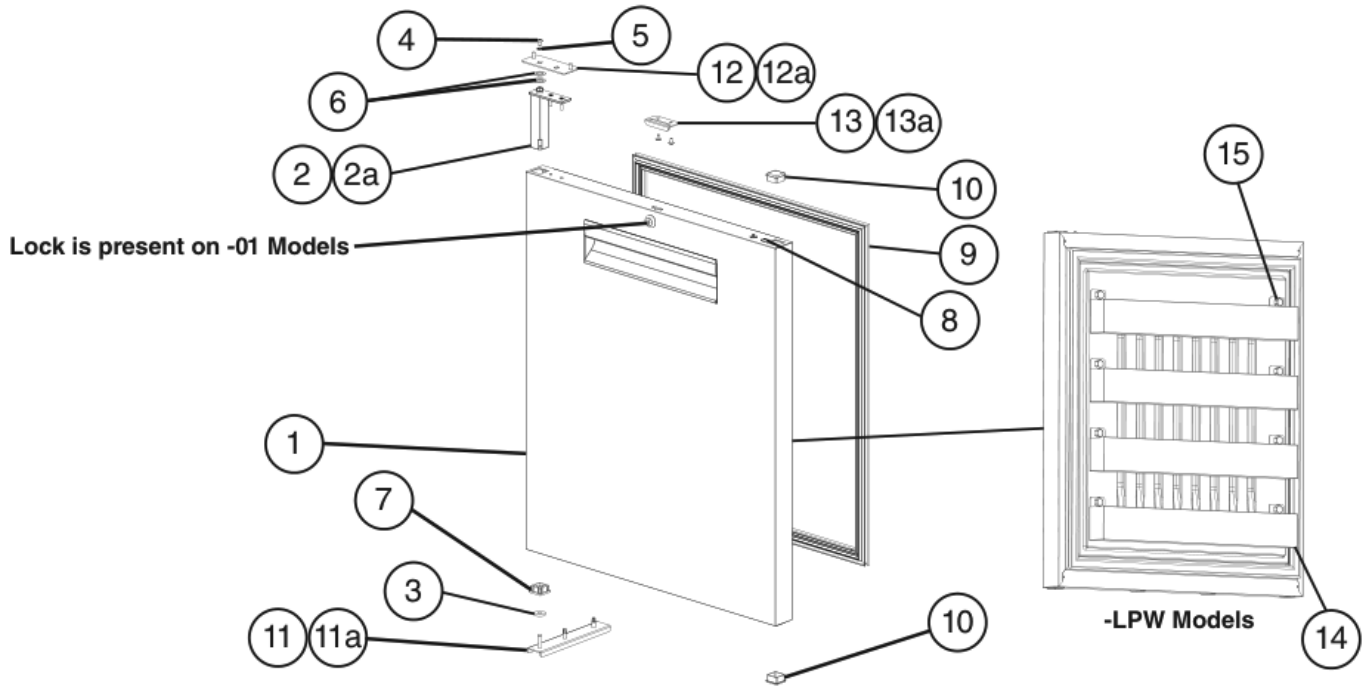


| Title: C. Door-Right Hinged Solid Models: Undercounter, Worktop, Prep Table |   |  |                           |                             |  |  |  |  |  |  |
|---|---|--|---------------------------|-----------------------------|--|--|--|--|--|--|
| Index No.   | Description   | Material or Model Number   | Part Number               | Required Number Per Section |  |  |  |  |  |  |
|   |   |  |                           | K-5 to M-5                  |  |  |  |  |  |  |
| 1   | Door Assembly without Locks (includes items 2 through 10) | <u>_R27B(-8, -12M) and _F27B UC/WT/Prep Table</u>                | <a href="#">2A9409G01</a> | 1                           |  |  |  |  |  |  |
|   |   | <u>_36B(-10, -15M) UC/WT/Prep Table</u>                          | <a href="#">2A9409G04</a> | 1                           |  |  |  |  |  |  |
|   |   | <u>_R48B(-8, -12), -1xM, and _F48B UC/WT/Prep Table</u>          | <a href="#">2A9409G06</a> | 1                           |  |  |  |  |  |  |
|   |   | <u>_R60B(-8, -12, -16, -1xM, -24M and _F60B UC/WT/Prep Table</u> | <a href="#">2A9409G04</a> | 1                           |  |  |  |  |  |  |
|   |   | <u>_R72B(-12, -16, -18), -1xM, -24M, -30M</u>                    | <a href="#">2A9409G06</a> | 1                           |  |  |  |  |  |  |
|   | Door Assembly with Locks (includes items 2 through 10)    | <u>_R27B-01 and _F27B-01 UC/WT</u>                               | <a href="#">2A9409G02</a> | 1                           |  |  |  |  |  |  |
|   |   | <u>UR36B-01 UC/WT</u>  | <a href="#">2A9409G05</a> | 1                           |  |  |  |  |  |  |
|   |   | <u>_R48B-01 and _F48B-01 UC/WT</u>                               | <a href="#">2A9409G07</a> | 1                           |  |  |  |  |  |  |
|   |   | <u>_R60B-01 and _F60B-01 UC/WT</u>                               | <a href="#">2A9409G05</a> | 1                           |  |  |  |  |  |  |
|   |   | <u>_R72B-01 UC/WT</u>  | <a href="#">2A9409G07</a> | 1                           |  |  |  |  |  |  |

| Title: C. Door-Right Hinged Solid Models: Undercounter, Worktop, Prep Table |  |                                       |                           |            |                             |  |  |  |  |  |  |  |
|---|--|---------------------------------------|---------------------------|------------|-----------------------------|--|--|--|--|--|--|--|
| Index No.   | Description  | Material or Model Number              | Part Number               | K-5 to M-5 | Required Number Per Section |  |  |  |  |  |  |  |
|   |  |                                       |                           |            |                             |  |  |  |  |  |  |  |
| 2   | Hinge Spring Cartridge (includes items 2a through 7) |                                       | <a href="#">3A9206-01</a> | 1          |                             |  |  |  |  |  |  |  |
| 2a  | Countersunk Screw                                    | 5x20, SS                              | <a href="#">7C42-0520</a> | 2          |                             |  |  |  |  |  |  |  |
| 3   | Thrust Washer  |                                       | <a href="#">4A5234-01</a> | 1          |                             |  |  |  |  |  |  |  |
| 4   | Screw  |                                       | <a href="#">4A5230-01</a> | 1          |                             |  |  |  |  |  |  |  |
| 5   | Lockwasher   |                                       | <a href="#">4A5231-01</a> | 1          |                             |  |  |  |  |  |  |  |
| 6   | Thrust Washer  |                                       | <a href="#">4A5233-01</a> | 2          |                             |  |  |  |  |  |  |  |
| 7   | Bearing  |                                       | <a href="#">4A5232-01</a> | 1          |                             |  |  |  |  |  |  |  |
| 8   | Truss Head Screw (filler screws)                     | 5x10, SS                              | <a href="#">7C32-0510</a> | 2          |                             |  |  |  |  |  |  |  |
| 9   | Gasket   | All _R27B and _F27B, UC/WT/Prep Table | <a href="#">2A6996-10</a> | 1          |                             |  |  |  |  |  |  |  |
|   |  | _R36B UC/WT/Prep Table                | <a href="#">2A6996-12</a> | 1          |                             |  |  |  |  |  |  |  |
|   |  | All _R48B and _F48B, UC/WT/Prep Table | <a href="#">2A6996-11</a> | 1          |                             |  |  |  |  |  |  |  |
|   |  | All _R60B and _F60B, UC/WT/Prep Table | <a href="#">2A6996-12</a> | 1          |                             |  |  |  |  |  |  |  |
|   |  | All _R72B and UC/WT/Prep Table        | <a href="#">2A6996-11</a> | 1          |                             |  |  |  |  |  |  |  |
| 10  | End Cap  |                                       | <a href="#">4A5432-01</a> | 2          |                             |  |  |  |  |  |  |  |
| 11  | Lower Hinge Bracket                                  |                                       | <a href="#">3A6681G01</a> | 1          |                             |  |  |  |  |  |  |  |
| 11a   | Hex Head Tapping Bolt                                | 1/4-20x3/4                            | <a href="#">4A5213-01</a> | 2          |                             |  |  |  |  |  |  |  |
| 12  | Upper Hinge Bracket                                  |                                       | <a href="#">3A6810-01</a> | 1          |                             |  |  |  |  |  |  |  |
| 12a   | Truss Head Screw                                     | 5x12, SS                              | <a href="#">7C32-0512</a> | 2          |                             |  |  |  |  |  |  |  |
| 13  | Strike Plate   | -01 UC/WT                             | <a href="#">4A5493-01</a> | 1          |                             |  |  |  |  |  |  |  |
| 13a   | T2 Screw   | -01 UC/WT<br>4x8, SS                  | <a href="#">7P32-0408</a> | 2          |                             |  |  |  |  |  |  |  |

## D. Door-Left Hinged Solid Undercounter, Worktop, Prep Table

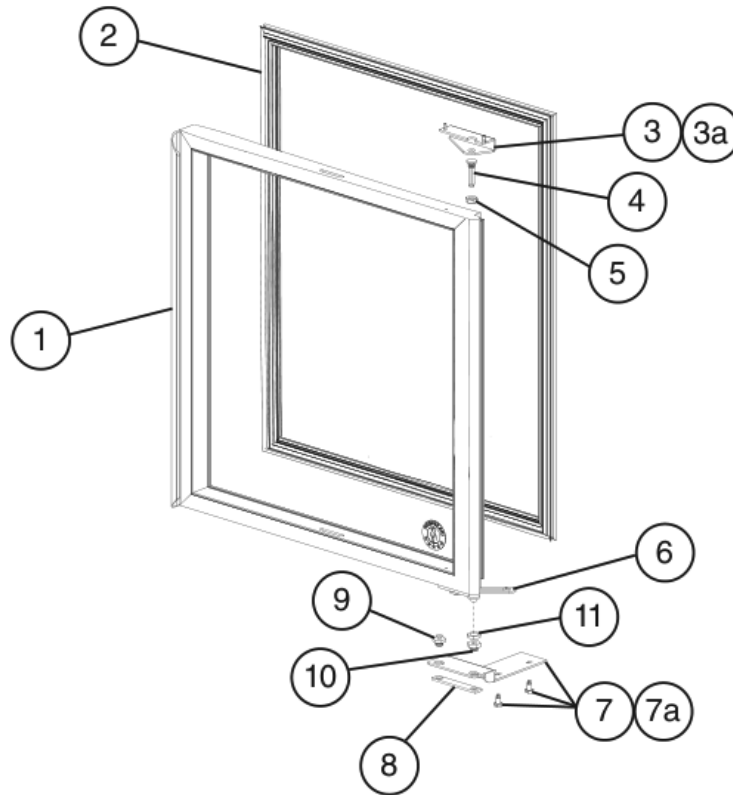
K-5 to M-5



| Title: D. Door-Left Hinged Solid Models: Undercounter, Worktop, Prep Table |   |  |                           |                             |  |  |  |  |  |  |  |  |  |  |  |  |
|--|---|--|---------------------------|-----------------------------|--|--|--|--|--|--|--|--|--|--|--|--|
| Index No.  | Description   | Material or Model Number   | Part Number               | Required Number Per Section |  |  |  |  |  |  |  |  |  |  |  |  |
|  |   |  |                           | K-5 to M-5                  |  |  |  |  |  |  |  |  |  |  |  |  |
| 1  | Door Assembly without Locks (includes items 2 through 10) | <b>UR27B-LPW</b>   | <a href="#">2B0054G01</a> | 1                           |  |  |  |  |  |  |  |  |  |  |  |  |
|  |   | <b>_R27B(-8, -12M) and _F27B UC/WT/Prep Table</b>                | <a href="#">2A9411G05</a> | 1                           |  |  |  |  |  |  |  |  |  |  |  |  |
|  |   | <b>_36B(-10, -15M) UC/WT/Prep Table</b>                          | <a href="#">2A9411G03</a> | 1                           |  |  |  |  |  |  |  |  |  |  |  |  |
|  |   | <b>_R48B(-8, -12, -1xM, and _F48B UC/WT/Prep Table</b>           | <a href="#">2A9411G01</a> | 1                           |  |  |  |  |  |  |  |  |  |  |  |  |
|  |   | <b>_R60B(-8, -12, -16, -1xM, -24M and _F60B UC/WT/Prep Table</b> | <a href="#">2A9411G03</a> | 1                           |  |  |  |  |  |  |  |  |  |  |  |  |
|  |   | <b>_R72B(-12, -16, -18), -1xM, -24M, 30M</b>                     | <a href="#">2A9411G01</a> | 1                           |  |  |  |  |  |  |  |  |  |  |  |  |
|  | Door Assembly with Locks (includes items 2 through 10)    | <b>_R36B-01 UC/WT</b>  | <a href="#">2A9411G04</a> | 1                           |  |  |  |  |  |  |  |  |  |  |  |  |
|  |   | <b>_R48B-01 and _F48B-01 UC/WT</b>                               | <a href="#">2A9411G02</a> | 1                           |  |  |  |  |  |  |  |  |  |  |  |  |
|  |   | <b>_R60B-01 and _F60B-01 UC/WT</b>                               | <a href="#">2A9411G04</a> | 1                           |  |  |  |  |  |  |  |  |  |  |  |  |
|  |   | <b>_R72B-01 UC/WT</b>  | <a href="#">2A9411G02</a> | 1                           |  |  |  |  |  |  |  |  |  |  |  |  |

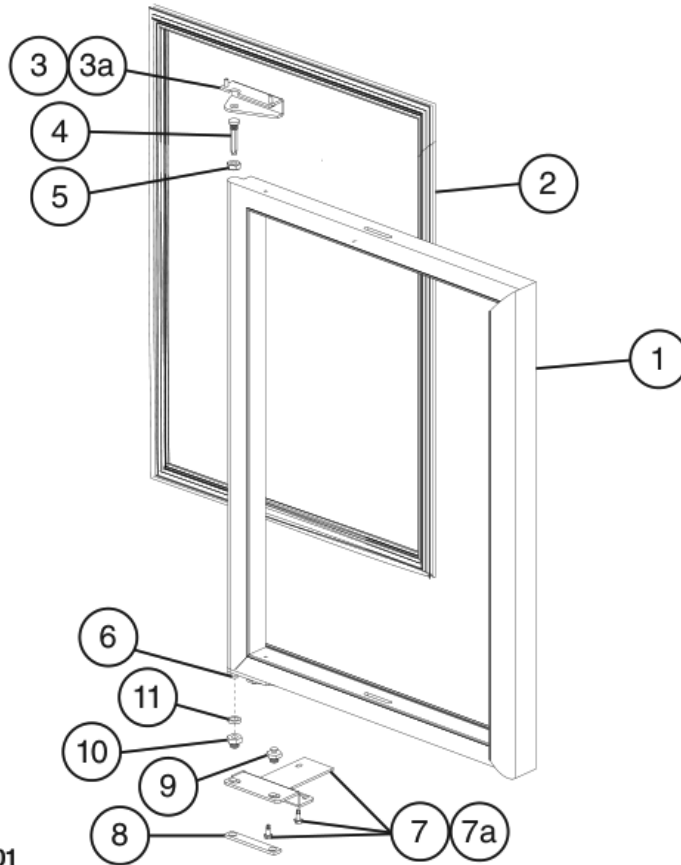
| Title: D. Door-Left Hinged Solid Models: Undercounter, Worktop, Prep Table |  |                                       |             |                             |  |  |  |  |  |  |  |  |
|--|--|---------------------------------------|-------------|-----------------------------|--|--|--|--|--|--|--|--|
| Index No.  | Description  | Material or Model Number              | Part Number | Required Number Per Section |  |  |  |  |  |  |  |  |
|  |  |                                       |             | K-5 to M-5                  |  |  |  |  |  |  |  |  |
| 2  | Hinge Spring Cartridge (includes items 2a through 7) |                                       | 3A9206-01   | 1                           |  |  |  |  |  |  |  |  |
| 2a   | Countersunk Screw                                    | 5x20, SS                              | 7C42-0520   | 2                           |  |  |  |  |  |  |  |  |
| 3  | Thrust Washer  |                                       | 4A5234-01   | 1                           |  |  |  |  |  |  |  |  |
| 4  | Screw  |                                       | 4A5230-01   | 1                           |  |  |  |  |  |  |  |  |
| 5  | Lockwasher   |                                       | 4A5231-01   | 1                           |  |  |  |  |  |  |  |  |
| 6  | Thrust Washer  |                                       | 4A5233-01   | 2                           |  |  |  |  |  |  |  |  |
| 7  | Bearing  |                                       | 4A5232-01   | 1                           |  |  |  |  |  |  |  |  |
| 8  | Truss Head Screw (filler screws)                     | 5x10, SS                              | 7C32-0510   | 2                           |  |  |  |  |  |  |  |  |
| 9  | Gasket   | _R27B and _F27B UC/WT/Prep Table      | 2A6996-10   | 1                           |  |  |  |  |  |  |  |  |
|  |  | _R36B UC/WT/Prep Table                | 2A6996-12   | 1                           |  |  |  |  |  |  |  |  |
|  |  | _R48B and _F48B UC/WT/Prep Table      | 2A6996-11   | 1                           |  |  |  |  |  |  |  |  |
|  |  | All _R60B and _F60B, UC/WT/Prep Table | 2A6996-12   | 1                           |  |  |  |  |  |  |  |  |
|  |  | All _R72B and UC/WT/Prep Table        | 2A6996-11   | 1                           |  |  |  |  |  |  |  |  |
| 10   | End Cap  |                                       | 4A5432-01   | 2                           |  |  |  |  |  |  |  |  |
| 11   | Lower Hinge Bracket                                  |                                       | 3A6681G01   | 1                           |  |  |  |  |  |  |  |  |
| 11a  | Hex Head Tapping Bolt                                | 1/4-20x3/4                            | 4A5213-01   | 2                           |  |  |  |  |  |  |  |  |
| 12   | Upper Hinge Bracket                                  |                                       | 3A6810-01   | 1                           |  |  |  |  |  |  |  |  |
| 12a  | Truss Head Screw                                     | 5x12, SS                              | 7C32-0512   | 2                           |  |  |  |  |  |  |  |  |
| 13   | Strike Plate   | -01 UC/WT                             | 4A5493-01   | 1                           |  |  |  |  |  |  |  |  |
| 13a  | T2 Screw   | -01 UC/WT<br>4x8, SS                  | 7P32-0408   | 2                           |  |  |  |  |  |  |  |  |
| 14   | Holder   | UR27B-LPW                             | 3A9571-01   | 4                           |  |  |  |  |  |  |  |  |
| 15   | Thumbscrew   |                                       | 415949G10   | 8                           |  |  |  |  |  |  |  |  |

**E. Door-Right Hinged Glass**  
**Undercounter, Worktop, Prep Table**  
 K-5 to M-5



| Title: E. Door-Right Hinged Glass Models: Undercounter, Worktop, Prep Table |                                  |                          |             |                             |  |  |  |  |  |  |  |  |  |  |  |  |
|---|----------------------------------|--------------------------|-------------|-----------------------------|--|--|--|--|--|--|--|--|--|--|--|--|
| Index No.   | Description                      | Material or Model Number | Part Number | Required Number Per Section |  |  |  |  |  |  |  |  |  |  |  |  |
|   |                                  |                          |             | K-5 to M-5                  |  |  |  |  |  |  |  |  |  |  |  |  |
| 1   | Door<br>(includes items 2 and 6) | UR27B-GLP01              | 2A8853-03   | 1                           |  |  |  |  |  |  |  |  |  |  |  |  |
|   |                                  | UF27B-GLP01              | 2A8853-04   | 1                           |  |  |  |  |  |  |  |  |  |  |  |  |
|   |                                  | UR48B-GLP01              | 2A8852-03   | 1                           |  |  |  |  |  |  |  |  |  |  |  |  |
| 2   | Gasket                           | U_27B-GLP01              | 4A6448-01   | 1                           |  |  |  |  |  |  |  |  |  |  |  |  |
|   |                                  | UR48B-GLP01              | 4A6449-01   | 1                           |  |  |  |  |  |  |  |  |  |  |  |  |
| 3   | Upper Hinge                      |                          | 3A9346-02   | 1                           |  |  |  |  |  |  |  |  |  |  |  |  |
| 3a  | Truss Head Screw                 | 5x12, SS                 | 7C32-0512   | 2                           |  |  |  |  |  |  |  |  |  |  |  |  |
| 4   | Hinge Pin                        |                          | 3A7946-04   | 1                           |  |  |  |  |  |  |  |  |  |  |  |  |
| 5   | Hinge Pin Locknut                |                          | 3A7946-05   | 1                           |  |  |  |  |  |  |  |  |  |  |  |  |
| 6   | Hinge Arm                        |                          | 3A7946-01   | 1                           |  |  |  |  |  |  |  |  |  |  |  |  |
| 7   | Lower Hinge                      |                          | 3A9342-01   | 1                           |  |  |  |  |  |  |  |  |  |  |  |  |
| 7a  | Hex Head Tapping Bolt            | 1/4-20x3/4               | 4A5213-01   | 2                           |  |  |  |  |  |  |  |  |  |  |  |  |
| 8   | Backer Plate                     |                          | 3A7946-08   | 1                           |  |  |  |  |  |  |  |  |  |  |  |  |
| 9   | Slide Pin                        |                          | 3A7946-11   | 1                           |  |  |  |  |  |  |  |  |  |  |  |  |
| 10  | Hinge Bushing                    |                          | 3A7946-09   | 1                           |  |  |  |  |  |  |  |  |  |  |  |  |
| 11  | Nylon Washer                     |                          | 3A7946-10   | 1                           |  |  |  |  |  |  |  |  |  |  |  |  |

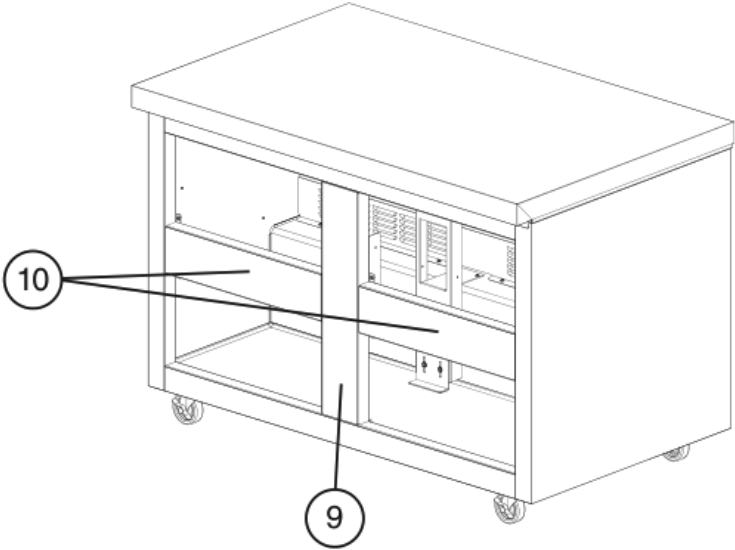
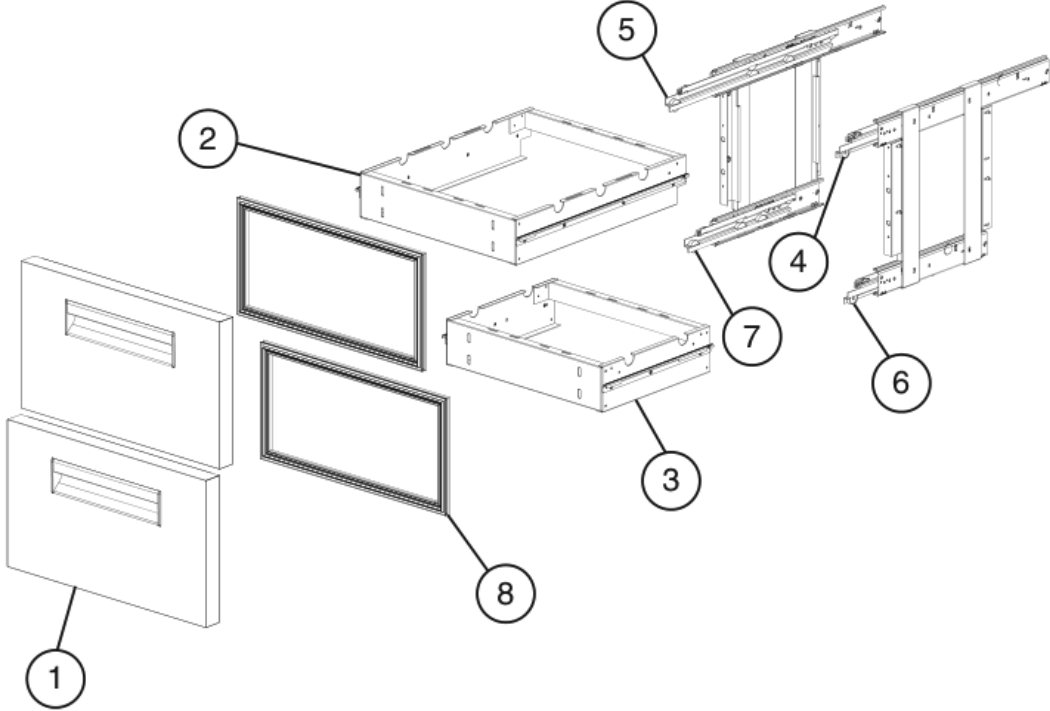
**F. Door-Left Hinged Glass**  
**Undercounter, Worktop, Prep Table**  
 K-5 to M-5



Model Shown: UR48A-GLP01

| Title: F. Door-Left Hinged Glass Models: Undercounter, Worktop, Prep Table |                       |                          |                           |            | Required Number Per Section |                                  |                    |                           |   |  |  |  |  |  |  |  |  |  |  |
|--|-----------------------|--------------------------|---------------------------|------------|-----------------------------|----------------------------------|--------------------|---------------------------|---|--|--|--|--|--|--|--|--|--|--|
| Index No.  | Description           | Material or Model Number | Part Number               | K-5 to M-5 |                             |                                  |                    |                           |   |  |  |  |  |  |  |  |  |  |  |
|  |                       |                          |                           |            | 1                           | Door<br>(includes items 2 and 6) | <b>UR48B-GLP01</b> | <a href="#">2A8852-01</a> | 1 |  |  |  |  |  |  |  |  |  |  |
| 2  | Gasket                | <b>UR48B-GLP01</b>       | <a href="#">4A6449-01</a> | 1          |                             |                                  |                    |                           |   |  |  |  |  |  |  |  |  |  |  |
| 3  | Upper Hinge           |                          | <a href="#">3A9346-01</a> | 1          |                             |                                  |                    |                           |   |  |  |  |  |  |  |  |  |  |  |
| 3a   | Truss Head Screw      | 5x12, SS                 | <a href="#">7C32-0512</a> | 2          |                             |                                  |                    |                           |   |  |  |  |  |  |  |  |  |  |  |
| 4  | Hinge Pin             |                          | <a href="#">3A7946-04</a> | 1          |                             |                                  |                    |                           |   |  |  |  |  |  |  |  |  |  |  |
| 5  | Hinge Pin Locknut     |                          | <a href="#">3A7946-05</a> | 1          |                             |                                  |                    |                           |   |  |  |  |  |  |  |  |  |  |  |
| 6  | Hinge Arm             |                          | <a href="#">3A7946-01</a> | 1          |                             |                                  |                    |                           |   |  |  |  |  |  |  |  |  |  |  |
| 7  | Lower Hinge           |                          | <a href="#">3A9342-02</a> | 1          |                             |                                  |                    |                           |   |  |  |  |  |  |  |  |  |  |  |
| 7a   | Hex Head Tapping Bolt | 1/4-20x3/4               | <a href="#">4A5213-01</a> | 2          |                             |                                  |                    |                           |   |  |  |  |  |  |  |  |  |  |  |
| 8  | Backer Plate          |                          | <a href="#">3A7946-08</a> | 1          |                             |                                  |                    |                           |   |  |  |  |  |  |  |  |  |  |  |
| 9  | Slide Pin             |                          | <a href="#">3A7946-11</a> | 1          |                             |                                  |                    |                           |   |  |  |  |  |  |  |  |  |  |  |
| 10   | Hinge Bushing         |                          | <a href="#">3A7946-09</a> | 1          |                             |                                  |                    |                           |   |  |  |  |  |  |  |  |  |  |  |
| 11   | Nylon Washer          |                          | <a href="#">3A7946-10</a> | 1          |                             |                                  |                    |                           |   |  |  |  |  |  |  |  |  |  |  |

**G. Drawer**  
**Undercounter, Worktop, Prep Table (-D2)(-D4)(-D6)**  
K-5 to M-5

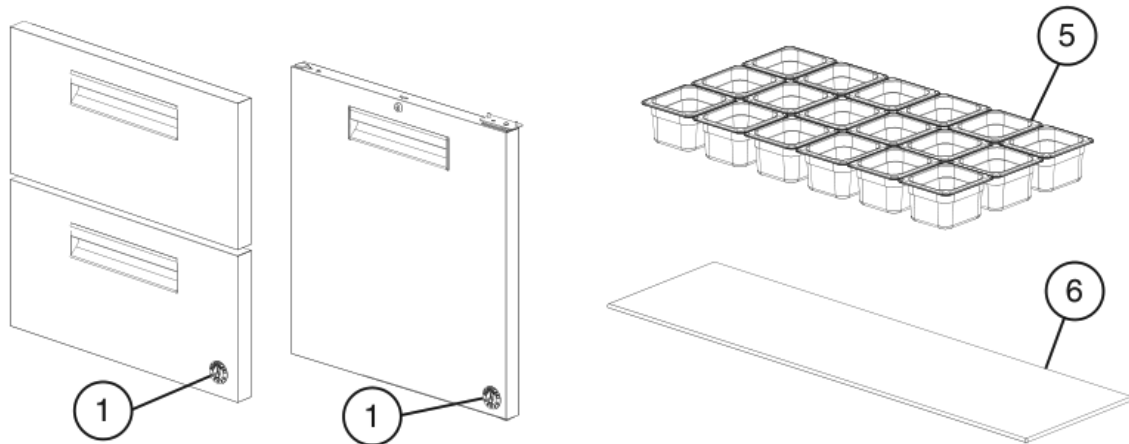


| Title: G. Drawer Models: Undercounter, Worktop, Prep Table (-D2)(-D4)(-D6) |                          |                          |             |            |                             |  |  |  |  |  |  |
|--|--------------------------|--------------------------|-------------|------------|-----------------------------|--|--|--|--|--|--|
| Index No.  | Description              | Material or Model Number | Part Number | K-5 to M-5 | Required Number Per Section |  |  |  |  |  |  |
|  |                          |                          |             |            |                             |  |  |  |  |  |  |
| 1  | Drawer Face              | _R27B-D2(-8D2, -12MD2)   | 2A9736G01   | 2          |                             |  |  |  |  |  |  |
|  |                          | _R48B-Dx(-12Dx, -18MDx)  | 2A9759G01   | 2          |                             |  |  |  |  |  |  |
|  |                          | _R60B-Dx(-24MDx)         | 2A9760G01   | 2          |                             |  |  |  |  |  |  |
|  |                          | _R72B-D6(-30MDx)         | 2A9759G01   | 2          |                             |  |  |  |  |  |  |
| 2  | Upper Drawer Box         | _R27B-D2(-8D2, -12MD2)   | 3B0691G01   | 1          |                             |  |  |  |  |  |  |
|  |                          | _R48B-Dx(-12Dx, -18MDx)  | 3B0692G01   | 1          |                             |  |  |  |  |  |  |
|  |                          | _R60B-Dx(-24MDx)         | 3B0773G01   | 1          |                             |  |  |  |  |  |  |
|  |                          | _R72B-D6(-30MDx)         | 3B0692G01   | 1          |                             |  |  |  |  |  |  |
| 3  | Lower Drawer Box         | _R27B-D2(-8D2, -12MD2)   | 3B0694G01   | 1          |                             |  |  |  |  |  |  |
|  |                          | _R48B-Dx(-12Dx, -18MDx)  | 3B0735G01   | 1          |                             |  |  |  |  |  |  |
|  |                          | _R60B-Dx(-24MDx)         | 3B0774G01   | 1          |                             |  |  |  |  |  |  |
|  |                          | _R72B-D6(-30MDx)         | 3B0735G01   | 1          |                             |  |  |  |  |  |  |
| 4  | Upper Right Slide Roller |                          | 4A6146-02   | 1          |                             |  |  |  |  |  |  |
| 5  | Upper Left Slide Roller  |                          | 4A6147-02   | 1          |                             |  |  |  |  |  |  |
| 6  | Lower Right Slide Roller |                          | 4A5663-02   | 1          |                             |  |  |  |  |  |  |
| 7  | Lower Left Slide Roller  |                          | 4A5664-02   | 1          |                             |  |  |  |  |  |  |
| 8  | Gasket                   | _R27B-D2(-8D2, -12MD2)   | 2A5192-15   | 2          |                             |  |  |  |  |  |  |
|  |                          | _R48B-Dx(-12Dx, -18MDx)  | 2A5192-17   | 2          |                             |  |  |  |  |  |  |
|  |                          | _R60B-Dx(-24MDx)         | 2A5192-16   | 2          |                             |  |  |  |  |  |  |
|  |                          | _R72B-D6(-30MDx)         | 2A5192-17   | 2          |                             |  |  |  |  |  |  |
| 9  | Vertical Mullion         | _R48B-Dx(-12Dx, -18MDx)  | 2A6824G01   | 1          |                             |  |  |  |  |  |  |
|  |                          | _R60B-Dx(-24MDx)         |             | 1          |                             |  |  |  |  |  |  |
|  |                          | _R72B-D6(-30MDx)         |             | 2          |                             |  |  |  |  |  |  |
| 10   | Horizontal Mullion       | _R27B-D2(-8D2, -12MD2)   | 2A7484G01   | 1          |                             |  |  |  |  |  |  |
|  |                          | _R48B-Dx(-12Dx, -18MDx)  | 2A7467G01   | 2          |                             |  |  |  |  |  |  |
|  |                          | _R60B-Dx(-24MDx)         | 2A7497G01   | 2          |                             |  |  |  |  |  |  |
|  |                          | _R72B-D6(-30MDx)         | 2A7467G01   | 3          |                             |  |  |  |  |  |  |

## H. Accessories & Labels

### Undercounter, Worktop, Prep Table

K-5 to M-5



| Title: H. Accessories & Labels   |  | Models: Undercounter, Worktop, Prep Table |             | Required Number |  |  |  |  |  |  |
|----------------------------------|--|---|-------------|-----------------|--|--|--|--|--|--|
| Index No.                        | Description  | Material or Model Number                  | Part Number | K-5 to M-5      |  |  |  |  |  |  |
| <b>Common Parts</b>              |  |   |             |                 |  |  |  |  |  |  |
| 1                                | Penguin Label  |   | 475552L01   | 1               |  |  |  |  |  |  |
| 2                                | 4" Caster Kit<br>(includes 2 of items 3 and 4 and 1 of 4a) | <b>HS-5035<br/>UC</b>                     | 4A5434A01   | 1               |  |  |  |  |  |  |
|                                  | 2" Caster Kit<br>(includes 2 of items 3 and 4 and 1 of 4a) | <b>HS-5037<br/>UC Low Profile</b>         | 4A5436A01   | 1               |  |  |  |  |  |  |
|                                  | 6" Caster Kit<br>(includes 2 of items 3 and 4)             | <b>HS-5036<br/>WT/Prep Table</b>          | 4A5435A01   | 1               |  |  |  |  |  |  |
| 3                                | 4" Non-Locking Caster                                      | <b>UC</b>                                 | 4A5427-01   | 2               |  |  |  |  |  |  |
|                                  | 2" Non-Locking Caster                                      | <b>UC Low Profile</b>                     | 4A5429-01   | 2               |  |  |  |  |  |  |
|                                  | 6" Non-Locking Caster                                      | <b>WT/Prep Table</b>                      | 4A5428-01   | 2               |  |  |  |  |  |  |
| 4                                | 4" Locking Caster  | <b>UC</b>                                 | 4A5427-02   | 2               |  |  |  |  |  |  |
|                                  | 2" Locking Caster  | <b>UC Low Profile</b>                     | 4A5429-02   | 2               |  |  |  |  |  |  |
|                                  | 6" Locking Caster  | <b>WT/Prep Table</b>                      | 4A5428-02   | 2               |  |  |  |  |  |  |
| 4a                               | Wrench   | <b>UC Low Profile</b>                     | 4A5492-01   | 1               |  |  |  |  |  |  |
| <b>Prep Table Specific Parts</b> |  |   |             |                 |  |  |  |  |  |  |
| 5                                | 1/6 Size Pan, 4" Depth                                     | <b>-8</b>                                 | 1000000344  | 8               |  |  |  |  |  |  |
|                                  |  | <b>-10</b>                                |             | 10              |  |  |  |  |  |  |
|                                  |  | <b>-16</b>                                |             | 16              |  |  |  |  |  |  |
|                                  |  | <b>-15M</b>                               |             | 15              |  |  |  |  |  |  |
|                                  |  | <b>-12, -12M, -12MD(x)</b>                |             | 12              |  |  |  |  |  |  |
|                                  |  | <b>-18, -18M, -18MD(x)</b>                |             | 18              |  |  |  |  |  |  |
|                                  |  | <b>-24M, -24MD(x)</b>                     |             | 24              |  |  |  |  |  |  |
|                                  | <b>-30M, -30MD(x)</b>                                      |   | 30          |                 |  |  |  |  |  |  |
| 6                                | Cutting Board  | <b>SR27B-8(Dx) and SR27B-12(M(Dx))</b>    | 3A4894-09   | 1               |  |  |  |  |  |  |
|                                  |  | <b>SR36B-10(-15M)</b>                     | 3A4894-15   | 1               |  |  |  |  |  |  |
|                                  |  | <b>SR48B-xx(M(Dx))</b>                    | 3A4894-10   | 1               |  |  |  |  |  |  |
|                                  |  | <b>SR60B-xx(M(Dx))</b>                    | 3A4894-13   | 1               |  |  |  |  |  |  |
|                                  |  | <b>SR72B-xx(M(Dx))</b>                    | 3A4894-14   | 1               |  |  |  |  |  |  |