

NO. 71175

ISSUED: AUG. 2, 2000



**HOSHIZAKI
CONDENSER UNIT**

**MODEL
URC-12FU**

PARTS LIST

MATERIAL ABBREVIATIONS

ALUMINUM

AL = Aluminum

COPPER

CU = Copper

PLASTIC

ABS = Acrylonitrile -butadiene - styrene
 AC = Polyacetal
 EVA = Ethylene vinyl acetate
 PA = Polyamide = Nylon
 PC = Polycarbonate
 PE = Polyethylene
 PES = Polyester
 PETP = Polyethylene terephthalate = Tetlon
 PP = Polypropylene
 PS = Polystyrene
 PTFE = Polytetrafluoroethylene = Teflon
 PUR = Polyurethane
 PVC = Polyvinyl chloride

RUBBER

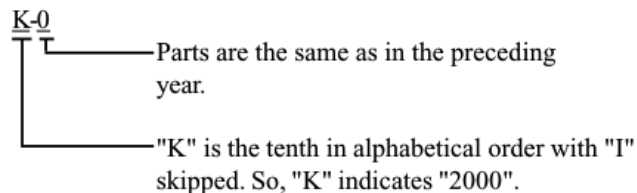
VN = Vinyl Nitrile
 EPDM = EP rubber
 NBR = Nitrile butadiene rubber
 NR = Natural rubber
 NP = Neoprene
 SIR = Silicone rubber
 SYR = Synthetic rubber
 EPH = Epichlorohydrin

STEEL

GS = Galvanized steel
 SS = Stainless steel
 PS = Plated steel
 PAS = Primed steel

AUXILIARY CODE

Ex.1

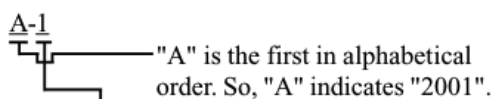


(Note) - = Part deleted.

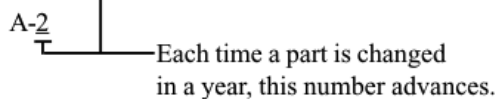
x = Part deleted and replaced by "o" part.

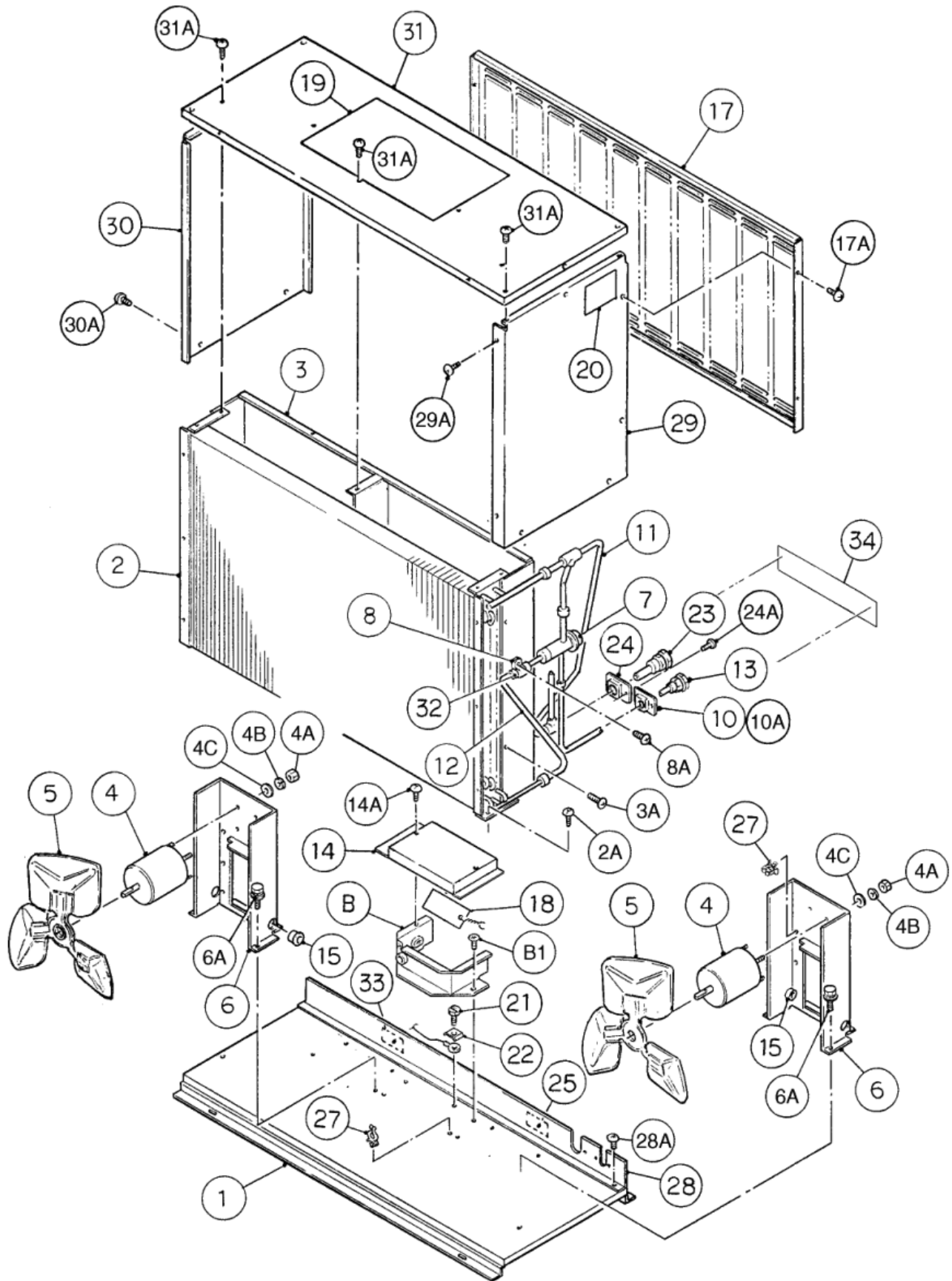
o = New part for "x" in the same auxiliary code.

Ex.2



Ex.3





MODEL: URC-12FU TITLE: A. CONDENSER UNIT										
INDEX NO.	DESCRIPTION	MATERIAL OR MODEL NUMBER	PART NUMBER	REQUIRED NUMBER						
				K-0						
B	JUNCTION BOX	-	2A0117A03	1						
B1	TRUSS HEAD SCREW	5X12, SS	7C32-0512	2						
1	UNIT BASE	GS	2A1783G01	1						
2	CONDENSER - AIR-COOLED	-	104777-02	1						
2A	T2 SCREW	4X8, SS	7P32-0408	4						
3	SHROUD	GS	2A1775G01	1						
3A	T2 SCREW	4X8, SS	7P32-0408	6						
4	FAN MOTOR	5KPM59KSK 4140-S	435275-01	2						
4A	HEX NUT	SS, No. 8-32 UNC	7N02I0832	8						
4B	SPLIT LOCK WASHER	SS, No. 8-32 UNC	7W22I0832	8						
4C	FLAT WASHER	SS, No. 8-32 UNC	7L22I0832	8						
5	FAN BLADE	-	4A1493-01	2						
6	FAN MOTOR BRACKET	GS	3A1595-01	2						
6A	HEX HEAD BOLT W/WASHER (LF)	5X12, SS	7B020512	8						
7	C.P.REGULATOR	-	4A0229-03	1						
8	"C" CLAMP	CCO-12	7910C1200	1						
8A	T2 SCREW	4X8, SS	7P32-0408	1						
9	-	-	-							
10	TUBE HOLDER (S)	GS	4A2100-01	1						
10A	T2 SCREW	4X8, SS	7P32-0408	2						
11	COPPER TUBE (A)	COPPER	3A1032G01	1						
12	COPPER TUBE (B)	COPPER	442153-01	1						
13	COUPLING (C)	-	435420G02	1						

MODEL: URC-12FU TITLE: A. CONDENSER UNIT										
INDEX NO.	DESCRIPTION	MATERIAL OR MODEL NUMBER	PART NUMBER	REQUIRED NUMBER						
				K-0						
14	JUNCTION BOX COVER	GS	4A2104-01	1						
14A	T2 SCREW	4X8, SS	7P32-0408	2						
15	BUSHING	OCB-750	428394-01	2						
16	-	-	-							
17	LOUVER PANEL	GS	2A1784-01	1						
17A	T2 SCREW	4X8, SS	7P32-0408	4						
18	TAG - FAN MOTOR LEADS	PAPER	420742-01	1						
19	INSTRUCTION SHEET	PAPER	324835-01	1						
20	NAMEPLATE	PES FILM	4A2117-01	1						
21	SCREW - GROUNDING	BRASS	433304-02	1						
22	SQUARE WASHER	BRASS	433537-02	1						
23	COUPLING	-	434101G01	1						
24	TUBE HOLDER (L)	GS	4A2099-01	1						
24A	T2 SCREW	4X8, SS	7P32-0408	2						
25	LABEL – R404A	PES FILM	4A0960-01	1						
26	-	-	-							
27	CLAMP	No.4253	427902-05	4						
28	FRAME	GS	2A1778-01	1						
28A	T2 SCREW	4X8, SS	7P32-0408	5						
29	SIDE PANEL (L)	GS	2A1779-01	1						
29A	T2 SCREW	4X8, SS	7P32-0408	4						
30	SIDE PANEL (R)	GS	2A1780-01	1						
30A	T2 SCREW	4X8, SS	7P32-0408	2						
31	TOP PANEL	GS	2A1781-01	1						
31A	T2 SCREW	4X8, SS	7P32-0408	11						
32	SILICONE HOSE	L=20	7730-0912	1						
33	CAUTION LABEL - 3 PHASE	-	4A1415-01	1						
34	CAUTION TAPE – 404A	L=250	4A1535L01	1						

