

NO. 71176

ISSUED: AUG. 6, 2000



**HOSHIZAKI  
CONDENSER UNIT**

**MODEL  
URC-20FU**

**PARTS LIST**

## MATERIAL ABBREVIATIONS

### ALUMINUM

AL = Aluminum

### COPPER

CU = Copper

### PLASTIC

ABS = Acrylonitrile -butadiene - styrene  
 AC = Polyacetal  
 EVA = Ethylene vinyl acetate  
 PA = Polyamide = Nylon  
 PC = Polycarbonate  
 PE = Polyethylene  
 PES = Polyester  
 PETP = Polyethylene terephthalate = Tetlon  
 PP = Polypropylene  
 PS = Polystyrene  
 PTFE = Polytetrafluoroethylene = Teflon  
 PUR = Polyurethane  
 PVC = Polyvinyl chloride

### RUBBER

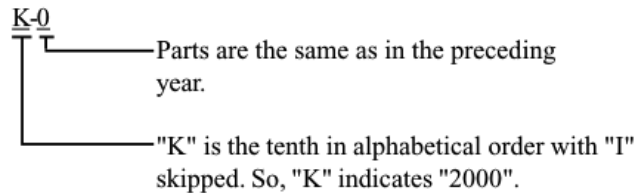
VN = Vinyl Nitrile  
 EPDM = EP rubber  
 NBR = Nitrile butadiene rubber  
 NR = Natural rubber  
 NP = Neoprene  
 SIR = Silicone rubber  
 SYR = Synthetic rubber  
 EPH = Epichlorohydrin

### STEEL

GS = Galvanized steel  
 SS = Stainless steel  
 PS = Plated steel  
 PAS = Primed steel

## AUXILIARY CODE

Ex.1

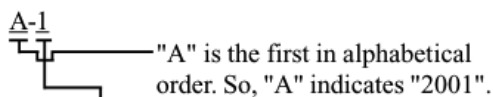


(Note) - = Part deleted.

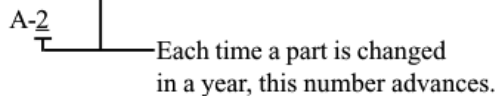
x = Part deleted and replaced by "o" part.

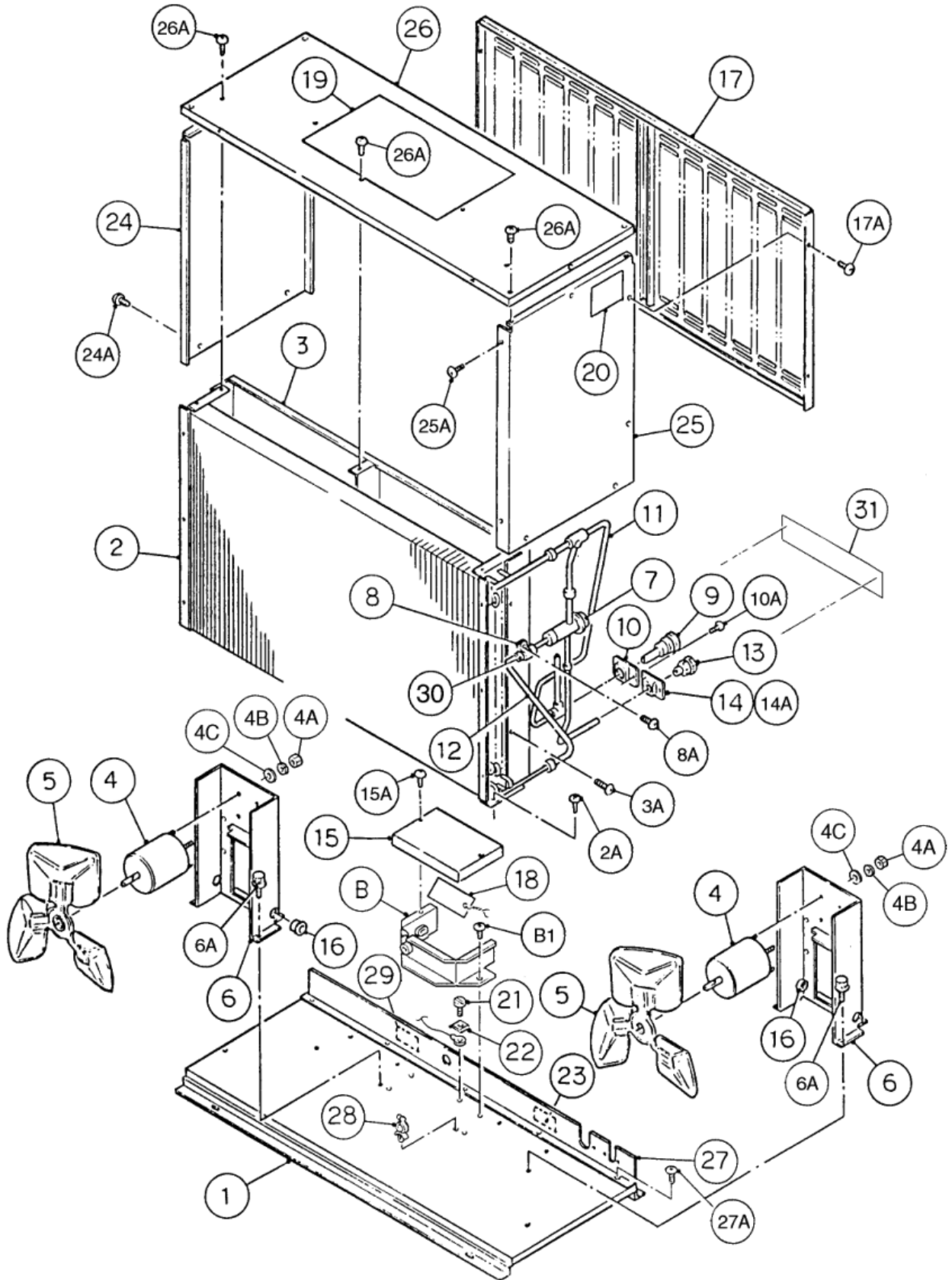
o = New part for "x" in the same auxiliary code.

Ex.2



Ex.3





MODEL: <b>URC-20FU</b> TITLE: <b>A. CONDENSER UNIT</b>										
INDEX NO.	DESCRIPTION	MATERIAL OR MODEL NUMBER	PART NUMBER	REQUIRED NUMBER						
				K-0						
B	JUNCTION BOX	-	2A0117A03	1						
B1	TRUSS HEAD SCREW	5X12, SS	7C32-0512	2						
1	UNIT BASE	GS	2A1758G01	1						
2	CONDENSER - AIR-COOLED	-	104918-02	1						
2A	T2 SCREW	4X8, SS	7P32-0408	2						
3	SHROUD	GS	2A1759G01	1						
3A	T2 SCREW	4X8, SS	7P32-0408	6						
4	FAN MOTOR	5KPM59KSK 4140-S	435275-01	2						
4A	HEX NUT	SS, No. 8-32 UNC	7N02I0832	8						
4B	SPLIT LOCK WASHER	SS, No. 8-32 UNC	7W22I0832	8						
4C	FLAT WASHER	SS, No. 8-32 UNC	7L22I0832	8						
5	FAN BLADE		4A1493-01	2						
6	FAN MOTOR BRACKET	GS	3A1595-01	2						
6A	HEX HEAD BOLT W/WASHER (LF)	5X12, SS	7B020512	8						
7	C.P.REGULATOR		4A0229-03	1						
8	"C" CLAMP	CCO-12	7910C1200	1						
8A	T2 SCREW	4X8, SS	7P32-0408	1						
9	COUPLING	-	434101G01	1						
10	TUBE HOLDER (L)	GS	4A2099-01	1						
10A	T2 SCREW	4X8, SS	7P32-0408	2						
11	COPPER TUBE (A)	COPPER	2A1192G01	1						
12	COPPER TUBE (B)	COPPER	438197-01	1						
13	COUPLING (C)	-	325016G01	1						
14	TUBE HOLDER (S)	GS	4A2100-01	1						
14A	T2 SCREW	4X8, SS	7P32-0408	2						
15	JUNCTION BOX COVER	GS	4A2104-01	1						

MODEL: <b>URC-20FU</b> TITLE: <b>A. CONDENSER UNIT</b>										
INDEX NO.	DESCRIPTION	MATERIAL OR MODEL NUMBER	PART NUMBER	REQUIRED NUMBER						
				K-0						
15A	T2 SCREW	4X8, SS	7P32-0408	2						
16	BUSHING	OCB-750	428394-01	2						
17	LOUVER PANEL	GS	3A1596G01	1						
17A	T2 SCREW	4X8, SS	7P32-0408	4						
18	TAG - FAN MOTOR LEADS	PAPER	420742-01	1						
19	INSTRUCTION SHEET	PAPER	3A0988-01	1						
20	NAMEPLATE	PES FILM	4A2103-01	1						
21	SCREW - GROUNDING	BRASS	433304-02	1						
22	SQUARE WASHER	BRASS	433537-02	1						
23	LABEL - R404A	PES FILM	4A0960-01	1						
24	SIDE PANEL (R)	GS	2A1755-01	1						
24A	T2 SCREW	4X8, SS	7P32-0408	2						
25	SIDE PANEL (L)	GS	2A1756-01	1						
25A	T2 SCREW	4X8, SS	7P32-0408	4						
26	TOP PANEL	GS	2A1748G01	1						
26A	T2 SCREW	4X8, SS	7P32-0408	11						
27	FRAME	GS	2A1754-01	1						
27A	T2 SCREW	4X8, SS	7P32-0408	5						
28	CLAMP	NO.4253	427902-05	4						
29	CAUTION LABEL - 3 PHASE	-	4A1415-01	1						
30	SILICONE HOSE	L=20	7730-0912	1						
31	CAUTION TAPE - 404A	L=250	4A1535L01	1						

