
NO. 71168

ISSUED: MARCH 6, 2000

REVISED: AUG. 7, 2000



**HOSHIZAKI
CONDENSER UNIT**

**MODEL
URC-24F**

PARTS LIST

H-0 Nov., 1998

J-0 July, 1999

K-0 Dec., 1999

MATERIAL ABBREVIATIONS

ALUMINUM

AL = Aluminum

COPPER

CU = Copper

PLASTIC

ABS = Acrylonitrile -butadiene - styrene
 AC = Polyacetal
 EVA = Ethylene vinyl acetate
 PA = Polyamide = Nylon
 PC = Polycarbonate
 PE = Polyethylene
 PES = Polyester
 PETP = Polyethylene terephthalate = Tetlon
 PP = Polypropylene
 PS = Polystyrene
 PTFE = Polytetrafluoroethylene = Teflon
 PUR = Polyurethane
 PVC = Polyvinyl chloride

RUBBER

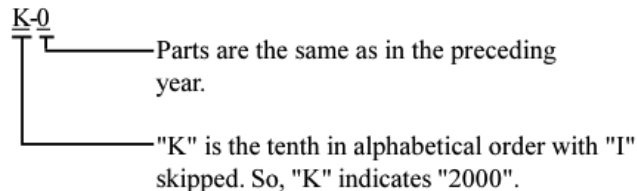
VN = Vinyl Nitrile
 EPDM = EP rubber
 NBR = Nitrile butadiene rubber
 NR = Natural rubber
 NP = Neoprene
 SIR = Silicone rubber
 SYR = Synthetic rubber
 EPH = Epichlorohydrin

STEEL

GS = Galvanized steel
 SS = Stainless steel
 PS = Plated steel
 PAS = Primed steel

AUXILIARY CODE

Ex.1

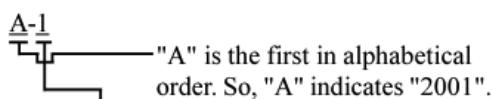


(Note) - = Part deleted.

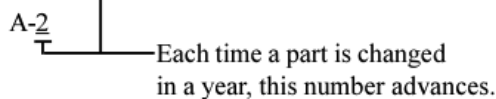
x = Part deleted and replaced by "o" part.

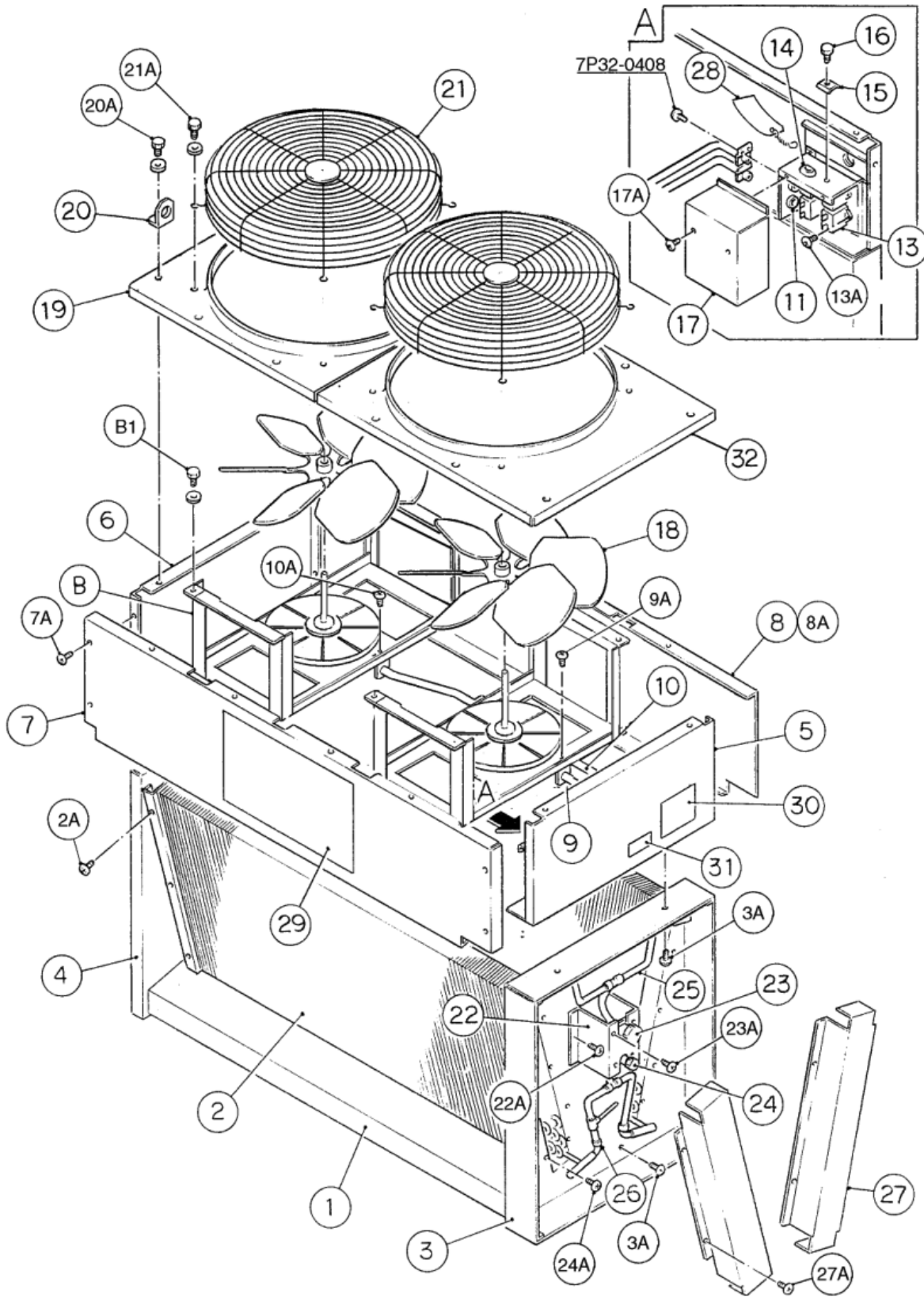
o = New part for "x" in the same auxiliary code.

Ex.2



Ex.3





HA

MODEL: URC-24F TITLE: A. CONDENSER UNIT										
INDEX NO.	DESCRIPTION	MATERIAL OR MODEL NUMBER	PART NUMBER	REQUIRED NUMBER						
				H-0 J-0	K-0					
B	FAN MOTOR UNIT	-	3A0557A01	2	2					
B1	HEX HEAD BOLT ASSEMBLY	SS, 5X12	7B0230512	8	8					
1	BASE	GS	325654G01	1	1					
2	CONDENSER	-	105360-02	2	2					
2A	T2 SCREW	4X8, SS	7P32-0408	18	18					
3	LOWER PANEL (R)	GS	325652-01	1	1					
3A	TRUSS HEAD SCREW	5X10, SS	7C32-0510	2	2					
4	LOWER PANEL (L)	GS	325653G01	1	1					
4A	TRUSS HEAD SCREW	5X10, SS	7C32-0510	2	2					
5	UPPER PANEL (B)	GS	2A0995G01	1	1					
6	UPPER PANEL (C)	GS	439051G01	1	1					
7	UPPER PANEL (A1)	GS	325651-01	1	1					
7A	TRUSS HEAD SCREW	5X10, SS	7C32-0510	12	12					
8	UPPER PANEL (A2)	GS	325651-02	1	1					
8A	TRUSS HEAD SCREW	5X10, SS	7C32-0510	12	12					
9	CONDUIT (A)	COPPER	3A0556G01	1	1					
9A	T2 SCREW	4X8, SS	7P32-0408	4	4					
10	CONDUIT (B)	COPPER	3A0552G01	1	1					
10A	T2 SCREW	4X8, SS	7P32-0408	6	6					
11	BUSHING	SB-750-10	420470-05	2	2					
12	-	-	-							
13	CAPACITOR	SH-SPXU, 15µf 240V	439705-01	4	4					
13A	T2 SCREW	4X10, SS	7P32-0410	4	4					
14	BUSHING	SR-30-1	420472-03	1	1					

MODEL: URC-24F TITLE: A. CONDENSER UNIT										
INDEX NO.	DESCRIPTION	MATERIAL OR MODEL NUMBER	PART NUMBER	REQUIRED NUMBER						
				H-0 J-0	K-0					
15	SQUARE WASHER	BRASS	433537-02	1	1					
16	SCREW - GROUNDING	BRASS	433304-02	1	1					
17	JUNCTION BOX COVER	GS	326861-01	1	1					
17A	T2 SCREW	4X8, SS	7P32-0408	4	4					
18	FAN BLADE	22547-2	440518-01	2	2					
19	TOP PANEL (A)	GS	2A0626G01	1	1					
20	HOOK	GS	439057-01	2	2					
20A	HEX HEAD BOLT ASSEMBLY	8X16, SS	7B0230816	4	4					
21	FAN COVER	GS	216030G01	2	2					
21A	HEX HEAD BOLT ASSEMBLY	8X6X12, SS	7B0230612	8	8					
22	COUPLING BRACKET	GS	325661-01	1	1					
22A	T2 SCREW	4X8, SS	7P32-0408	2	2					
23	COPPER TUBE (A)	COPPER	440522G01	1	1					
23A	T2 SCREW	4X8, SS	7P32-0408	2	2					
24	COPPER TUBE (B)	COPPER	3A1071G01	1	1					
24A	T2 SCREW	4X8, SS	7P32-0408	2	2					
25	COPPER TUBE (C)	COPPER	439059-01	2	2					
26	90EB ELBOW	-	419753-02	2	2					
27	BARRIER (R)	GS	326862-01	2	2					
27A	T2 SCREW	4X8, SS	7P32-0408	8	8					
28	TAG - FAN MOTOR LEADS	PAPER	420742-01	1	1					
29	INSTRUCTION SHEET	PAPER	3A1221-01	1	1					
30	NAMEPLATE	PES FILM	4A1579-01	1	1					
31	LABEL - R404A	PES FILM	4A0960-01	1	1					
32	TOP PANEL (B)	GS	2A0627G01	1	1					

