



# HOSHIZAKI

## Parts List

Condenser Unit

Models  
URC-26J



[hoshizakiamerica.com](http://hoshizakiamerica.com)

Number: 71381  
Issued: 5-12-2017  
Revision: 2-23-2018

## CONTENTS

Auxiliary Codes.....	3
Note About Ordering Parts .....	4
A. Condenser Unit .....	5
B. Accessories & Labels .....	6

## **Auxiliary Codes**

### **URC-26J**

G-0 January 2017

H-0 January 2018

## **Auxiliary Code Breakdown**

### **Auxiliary Codes "-5"**

The auxiliary code is the first two characters in the serial number. The first character indicates the year. Years progress or regress in alphabetical order. The series runs from "A" through "V" and the letters "I" and "O" are skipped. The second character indicates significant part changes within a year. Base is "5" and this number advances for each change.

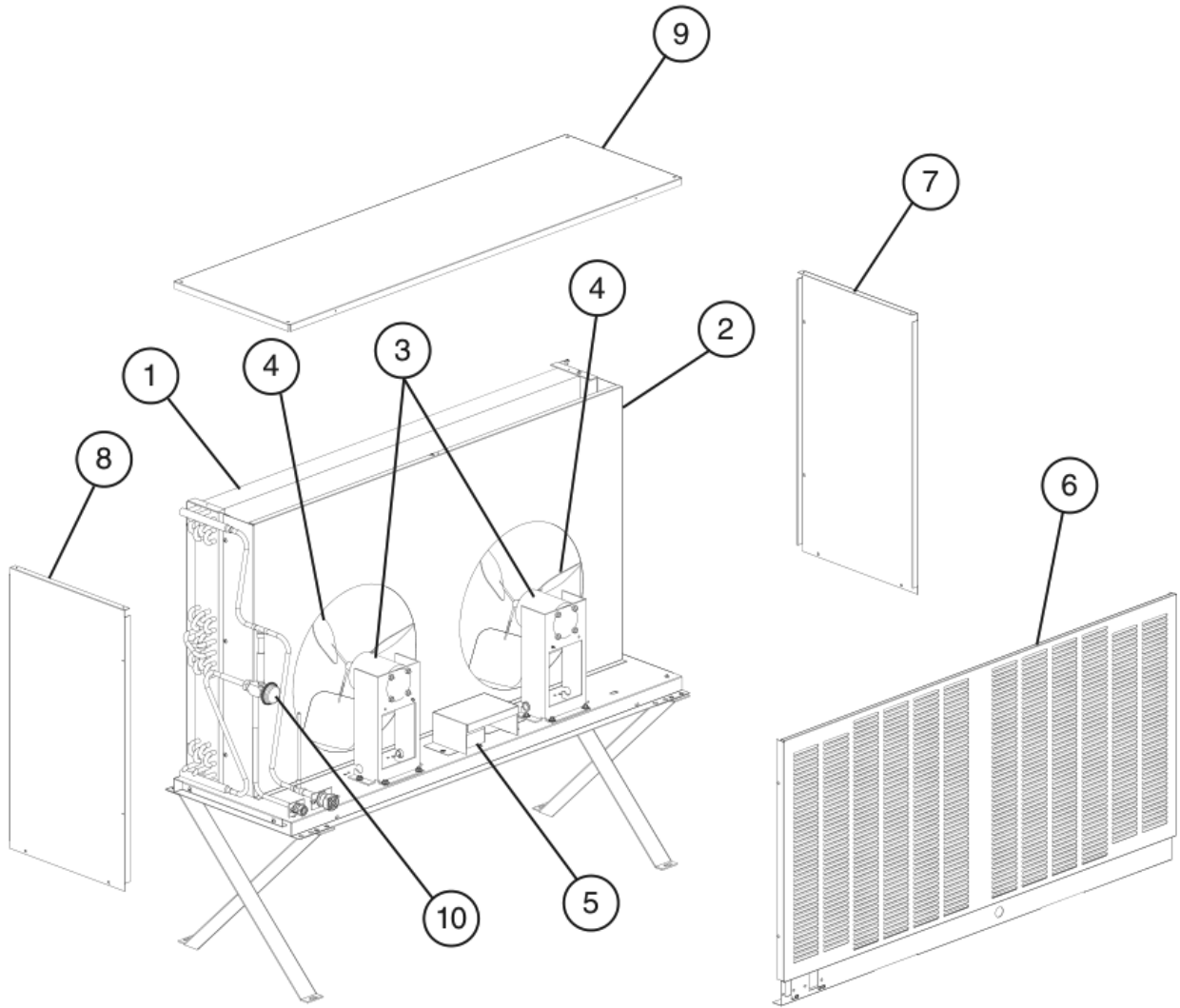
### **Auxiliary Codes "-0"**

The auxiliary code is the first two characters in the serial number. The first character indicates the year. Years progress or regress in alphabetical order. The series runs from "A" through "V" and the letters "I" and "O" are skipped. The second character indicates significant part changes within a year. Base is "0" and this number advances for each change.

## **Note About Ordering Parts**

Most assemblies cannot be ordered as complete units; parts in the assemblies generally must be ordered separately.

**A. Condenser Unit**  
**URC-26J**  
 G-0, H-0

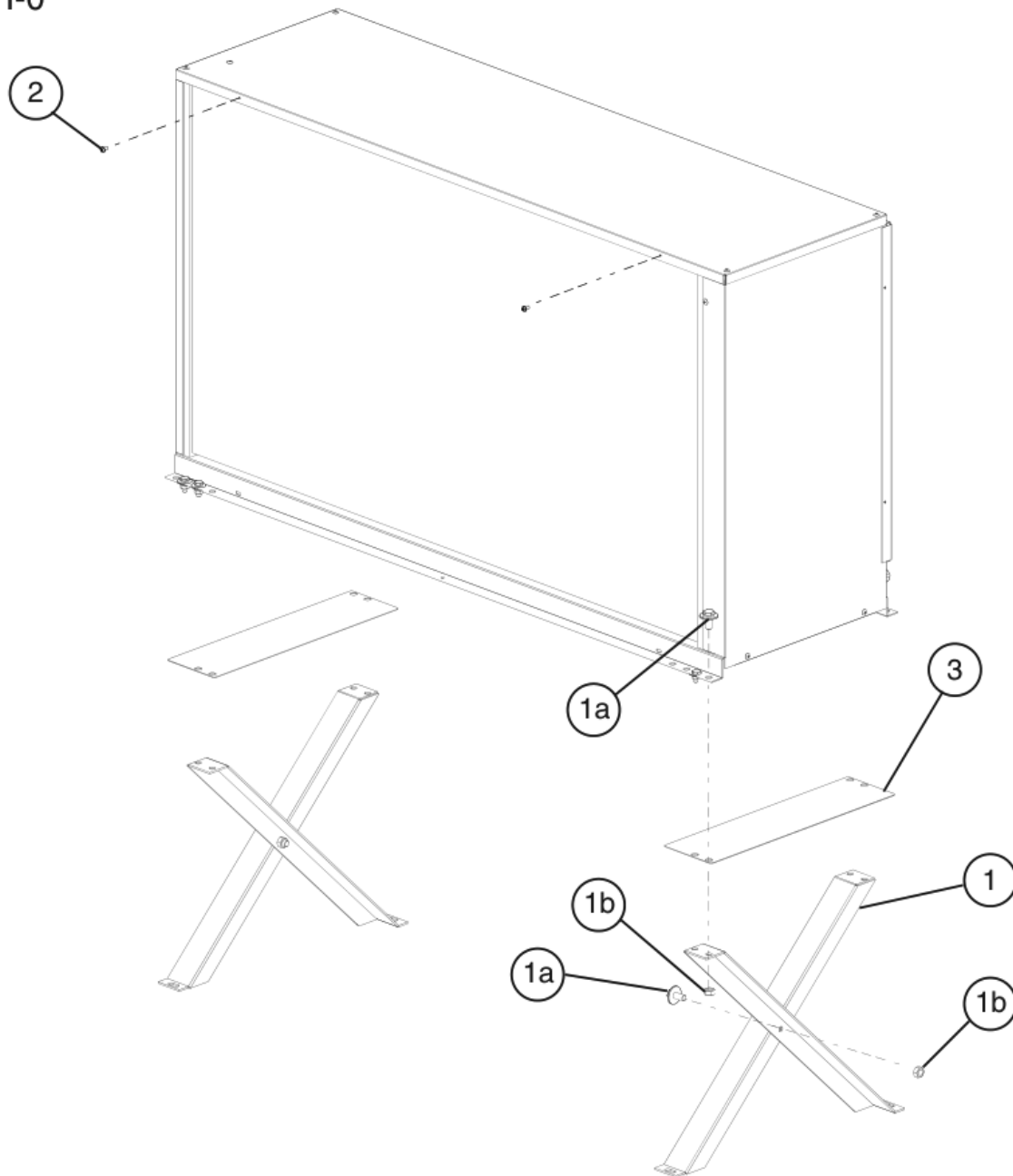


Title: A. Condenser Unit Model: URC-26J				Required Number								
Index No.	Description	Material or Model Number	Part Number	G-0								
				H-0								
1	Condenser		1A3506-01	1								
2	Shroud		2A7185-01	1								
3	Fan Motor		4A3201-01	2								
4	Fan Blade		4A1493-01	2								
5	Capacitor	10.0MFD, 250VAC	443192-01	2								
6	Louver Panel		2A7110-01	1								
7	Right Side Panel		2A1926-01	1								
8	Left Side Panel		2A1925-01	1								
9	Top Panel		3A7977-01	1								
10	Headmaster (Condensing Pressure Regulator)		4A0229-01	1								

## B. Accessories & Labels

URC-26J

G-0, H-0



Title: B. Accessories & Labels Model: URC-26J					Required Number							
Index No.	Description	Material or Model Number	Part Number	G-0 H-0								
					1	Leg		<a href="#">3A7823-01</a>	4			
1a	Hex Head Bolt W/Washer	8x20	<a href="#">7B0130820</a>	10								
1b	Hex Nut	M8	<a href="#">7N11-0800</a>	10								
2	T2 Screw	4x8	<a href="#">7P31-0408</a>	4								
3	Plate		<a href="#">3A3872-01</a>	2								