

# Hoshizaki America, Inc.

## Condenser Units

### Models

URC-5F

URC-9F

URC-14F

URC-22F

URC-23F



“A Superior Degree  
of Reliability”

[www.hoshizaki.com](http://www.hoshizaki.com)

## PARTS LIST



Number: 71363  
Issued: 4-24-2015

## CONTENTS

Auxiliary Codes.....	3
Note About Ordering Parts .....	4
A. Condenser Unit .....	5
B. Accessories .....	9

## Auxiliary Codes

### URC-5F

R-5 April 2006  
S-5 January 2007  
T-5 January 2008  
U-5 January 2009  
V-5 January 2010  
A-5 January 2011  
B-5 January 2012  
B-0 October 2012  
C-0 January 2013  
D-0 January 2014  
D-1 August 2014  
E-0 January 2015

### URC-9F

R-5 July 2006  
S-5 May 2007  
T-5 January 2008  
U-5 January 2009  
V-5 January 2010  
A-5 January 2011  
B-5 January 2012  
B-0 October 2012  
C-0 January 2013  
D-0 January 2014  
D-1 April 2014  
E-0 January 2015

### URC-14F

Q-5 October 2005  
R-5 February 2006  
S-5 January 2007  
T-5 January 2008  
T-6 May 2008  
T-7 November 2008  
U-5 January 2009  
V-5 January 2010  
A-5 January 2011  
B-5 January 2012  
B-0 October 2012  
C-0 January 2013  
D-0 January 2014  
D-1 April 2014  
E-0 January 2015

### URC-22F

U-5 March 2009  
V-5 January 2010  
A-5 January 2011  
B-5 January 2012  
B-0 October 2012  
C-0 January 2013  
C-1 August 2013  
D-0 January 2014  
E-0 January 2015

### URC-23F

T-5 May 2008  
U-5 November 2009  
V-5 January 2010  
A-5 January 2011  
B-5 January 2012  
B-0 October 2012  
C-0 January 2013  
C-1 October 2013  
D-0 January 2014  
D-1 October 2014  
E-0 January 2015

## **Auxiliary Code Breakdown**

### **Auxiliary Codes "-5"**

The auxiliary code is the first two characters in the serial number. The first character indicates the year. Years progress or regress in alphabetical order. The series runs from "A" through "V" and the letters "I" and "O" are skipped. The second character indicates significant part changes within a year. Base is "5" and this number advances for each change.

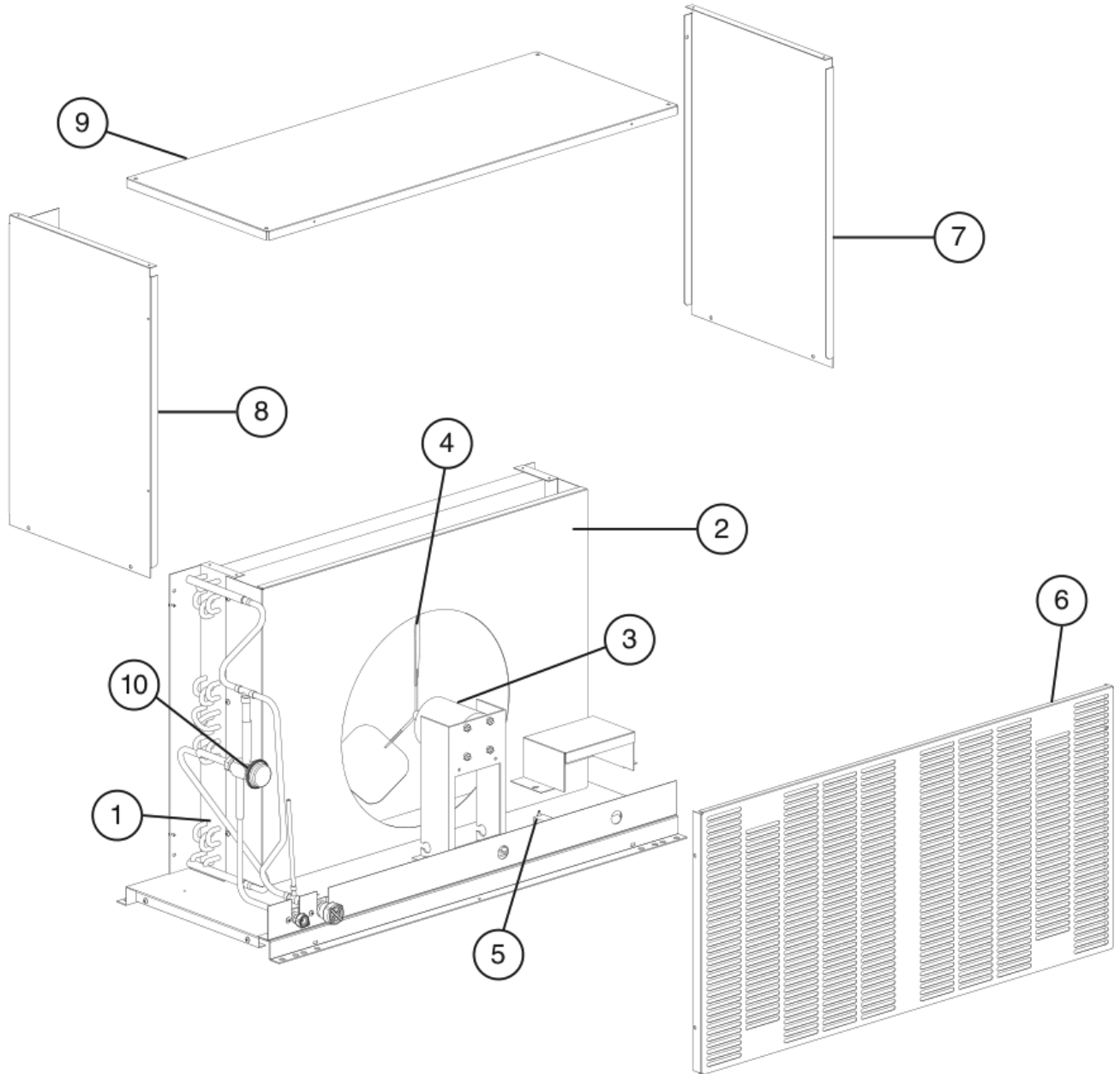
### **Auxiliary Codes "-0"**

The auxiliary code is the first two characters in the serial number. The first character indicates the year. Years progress or regress in alphabetical order. The series runs from "A" through "V" and the letters "I" and "O" are skipped. The second character indicates significant part changes within a year. Base is "0" and this number advances for each change.

### **Note About Ordering Parts**

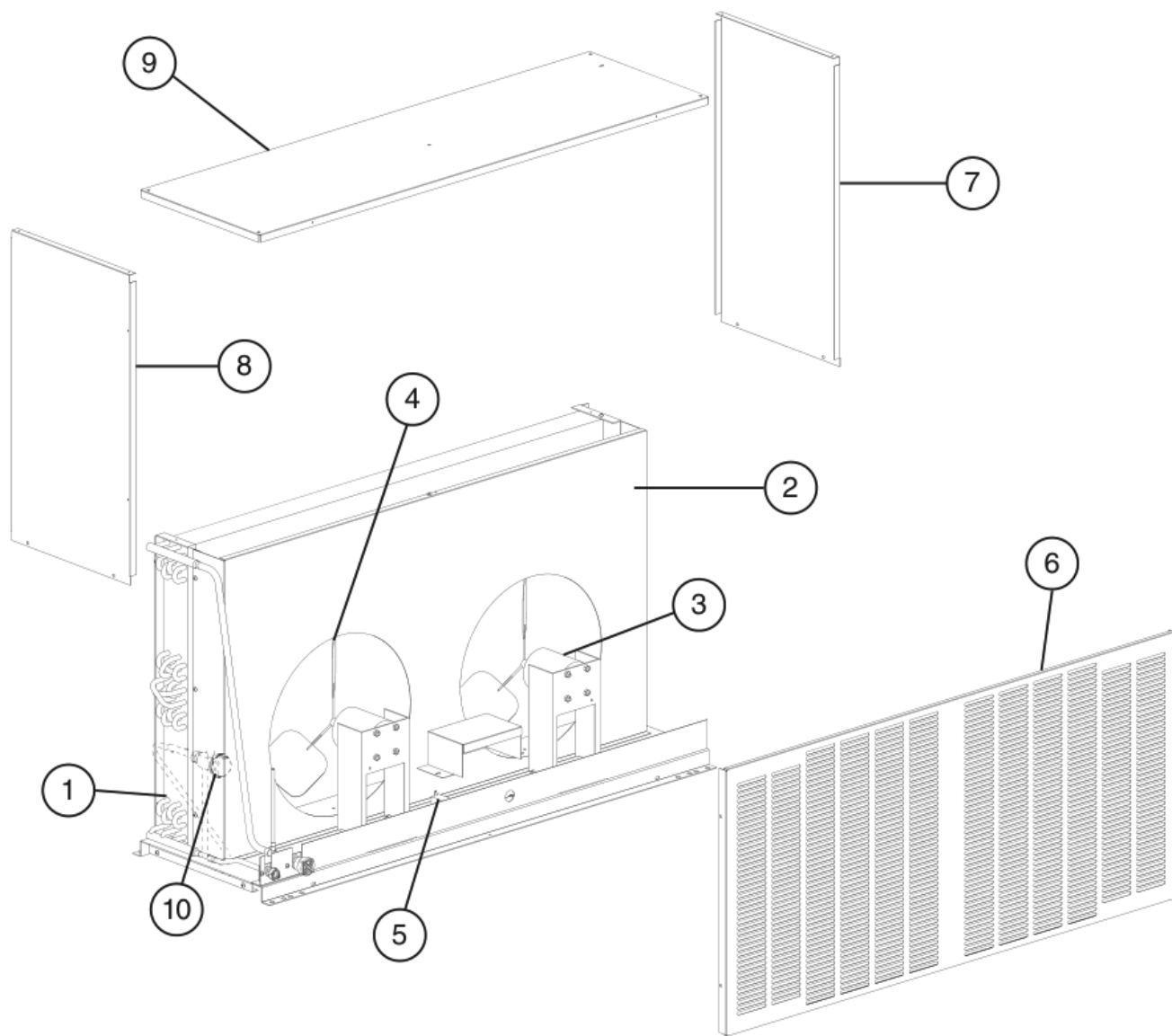
Most assemblies cannot be ordered as complete units; parts in the assemblies generally must be ordered separately.

**A. Condenser Unit**  
**URC-5F, URC-9F**  
**1/2**  
R-5 to E-0



**URC-5F and URC-9F**

**A. Condenser Unit**  
**URC-14F, URC-22F, URC-23F**  
**2/2**  
Q-5 to E-0

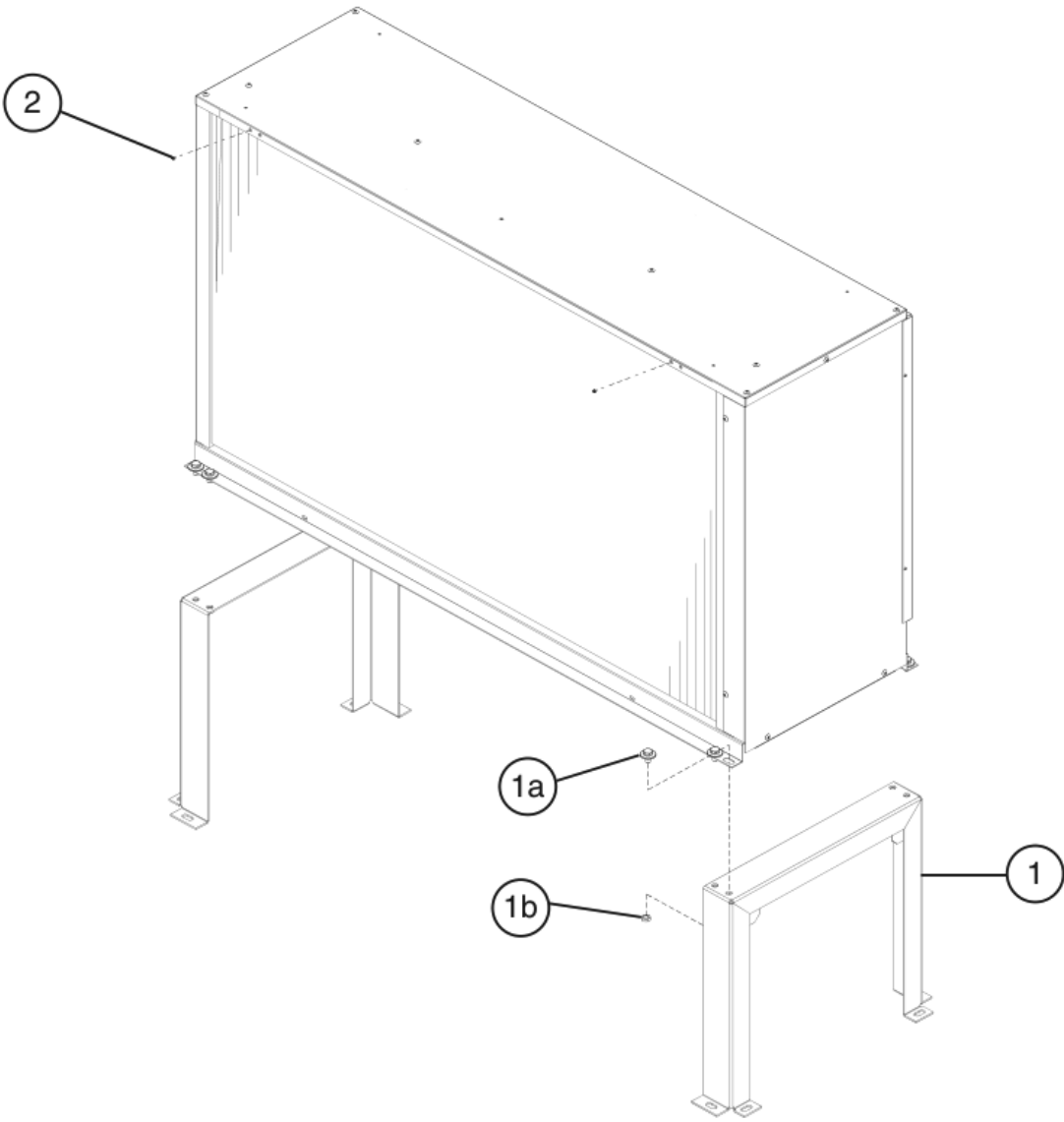


**URC-14F, URC-22F and URC-23F**

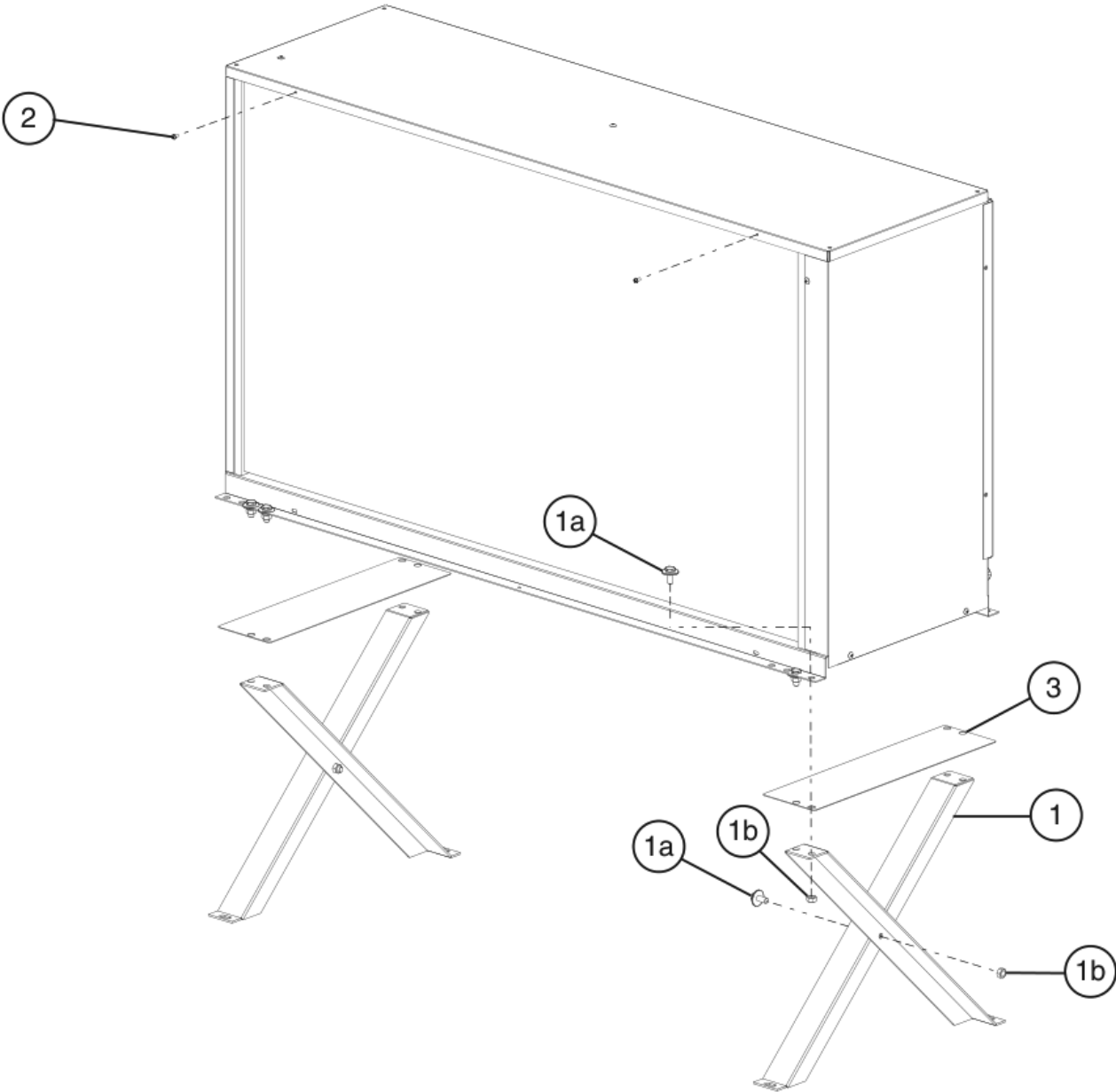
Title: A. Condenser Unit Model: URC_ F												
Index No.	Description	Material or Model Number	Part Number	Required Number								
				Q-5 to C-0	C-1 (H)	C-1 (K)	D-0	D-1 (D)	D-1 (H)	E-0		
1	Condenser	URC-5F	216519-02	1	1	1	1	1	1	1	1	
		URC-9F	1A1231-01	1	1	1	1	1	1	1	1	
		URC-14F	104777-02	1	1	1	1	1	1	1	1	
		URC-22F	104918-02	1	1	1	1	1	1	1	1	
		URC-23F	1A1048-01	1	1	1	1	-				
			1A3506-01					1	1	1		
2	Shroud	URC-5F	216522-01	1	1	1	1	1	-			
			2A7228-01						1	1		
		URC-9F	2A3869-01	1	1	1	1	-				
			2A7152-01					1	1	1		
		URC-14F	324150G02	1	1	1	1	-				
			3A7881-01					1	1	1		
		URC-22F	325010G01	1	1	1	1	1	1	-		
			3A8629-01							1		
		URC-23F	325010G02	1	1	-						
			2A7185-01			1	1	1	1	1		
3	Fan Motor	URC-5F	4A3201-01	1	1	1	1	1	1	1	1	
		URC-9F										
		URC-14F		2	2	2	2	2	2	2		
		URC-22F URC-23F										
4	Fan Blade	URC-5F	4A1493-01	1	1	1	1	1	1	1	1	
		URC-9F										
		URC-14F		2	2	2	2	2	2	2		
		URC-22F URC-23F										
5	Capacitor 10.0MFD, 250VAC	URC-5F	443192-01	1	1	1	1	1	1	1	1	
		URC-9F										
		URC-14F URC-22F URC-23F		2	2	2	2	2	2	2		
6	Louver Panel	URC-5F	216521-01	1	1	1	1	1	1	1	1	
		URC-9F	2A7139-01	1	1	1	1	1	1	1	1	
		URC-14F	213968-01	1	1	1	1	-				
			2A7139-01					1	1	1		
		URC-22F	325014G02	1	-							
			2A7110-01		1	1	1	1	1	1	1	
		URC-23F	325014G02		1	-						
	2A7110-01			1	1	1	1	1	1			
7	Right Side Panel	URC-5F	2A1884-01	1	1	1	1	1	1	1	1	
		URC-9F	2A1914-01	1	1	1	1	1	1	1	1	
		URC-14F										
		URC-22F	2A1926-01	1	1	1	1	1	1	1	1	
	URC-23F											

Title: A. Condenser Unit Model: URC_ F												
Index No.	Description	Material or Model Number	Part Number	Required Number								
				Q-5 to C-0	C-1 (H)	C-1 (K)	D-0	D-1 (D)	D-1 (H)	E-0		
8	Left Side Panel	URC-5F	2A1885-01	1	1	1	1	1	1	1	1	
		URC-9F	2A1914-01	1	1	1	1	-				
			2A7153-01					1	1	1		
		URC-14F	2A1915-01	1	1	1	1	1	1	1		
		URC-22F URC-23F	2A1925-01	1	1	1	1	1	1	1	1	
9	Top Panel	URC-5F	2A0897-01	1	1	1	1	1	1	1	1	
		UCR-9F	2A3889-01	1	1	1	1	-				
			2A7142-01					1	1	1		
		URC-14F	2A0900-01	1	1	1	1	-				
			2A7142-01					1	1	1		
		URC-22F	326137G02	1	-							
			3A7841-01		1	1	1	1	1	-		
			3A7977-01								1	
		URC-23F	3A3489G01	1	1	-						
	3A7977-01			1	1	1	1	1	1			
10	Headmaster (Condensing Pressure Regulator - C.P.R.)	URC-5F URC-9F URC-14F URC-22F	4A0229-01	1	1	1	1	1	1	1		

**B. Accessories**  
**URC\_F**  
**1/2**  
Q-5 to C-0



**B. Accessories**  
**URC\_F**  
**2/2**  
C-1 to E-0



Title: B. Accessories Model: URC-F												
Index No.	Description	Material or Model Number	Part Number	Required Number								
				Q-5 to C-0	C-1 (H)	C-1 (K)	D-0	D-1 (D)	D-1 (H)	E-0		
1	Leg	URC-5F	3A1704G01	2	2	2	2	2	-			
			3A7823-01					4	4			
		URC-9F URC-14F	3A1704G01	2	2	2	2	-				
			3A7823-01					4	4	4		
		URC-22F	3A1704G01	2	-							
			3A7823-01		4	4	4	4	4	4		
URC-23F	3A1704G01	2	2	-								
	3A7823-01			4	4	4	4	4	4			
1a	Hex Head Bolt W/Washer	8x20. SS	7B0230820	10	10	10	10	10	10	10		
1b	Hex Nut	M8, SS	7N11-0800	10	10	10	10	10	10	10		
2	T2 Screw	4x8, SS	7P32-0408	4	4	4	4	4	4	4		
3	Plate	URC-5F	3A3872-01						2	2		
		URC-9F					2	2	2			
		URC-14F					2	2	2			
		URC-22F			2	2	2	2	2			
		URC-23F			2	2	2	2	2			