



# HOSHIZAKI

## Parts List

### Condenser Units

#### Models

URC-5F(Z)

URC-9F(Z)

URC-14F(Z)

URC-22F(Z)

URC-23F



[hoshizakiamerica.com](http://hoshizakiamerica.com)

Number: 71363  
Issued: 4-24-2015  
Revised: 7-7-2023

## CONTENTS

Auxiliary Codes.....	3
Note About Ordering Parts .....	5
A. Condenser Unit .....	6
B. Accessories .....	10

## Auxiliary Codes

### URC-5F

R-5 April 2006  
S-5 January 2007  
T-5 January 2008  
U-5 November 2009  
V-5 January 2010  
A-5 January 2011  
B-5 January 2012  
B-0 October 2012  
C-0 January 2013  
D-0 January 2014  
D-1 July 2014  
E-0 January 2015  
F-0 July 2016  
G-0 January 2017  
H-0 January 2018  
J-0 February 2019  
K-0 January 2020  
L-0 January 2021

### URC-5FZ

L-0 August 2021  
L-1 June 2021  
M-0 January 2022

### URC-9F

R-5 July 2006  
S-5 May 2007  
T-5 January 2008  
U-5 January 2009  
V-5 January 2010  
A-5 January 2011  
B-5 January 2012  
B-0 October 2012  
C-0 January 2013  
D-0 January 2014  
D-1 April 2014  
E-0 January 2015  
F-0 January 2016  
G-0 June 2017  
H-0 January 2018  
J-0 January 2019  
K-0 January 2020  
L-0 January 2021

### URC-9FZ

L-0 December 2021  
M-0 March 2022

### URC-14F

R-5 February 2006  
S-5 January 2007  
T-5 January 2008  
T-6 May 2008  
T-7 November 2008  
U-5 February 2009  
V-5 January 2010  
A-5 January 2011  
B-5 January 2012  
B-0 October 2012  
C-0 January 2013  
D-0 January 2014  
D-1 April 2014  
E-0 January 2015  
F-0 January 2016  
G-0 June 2017  
H-0 January 2018  
J-0 February 2019  
K-0 January 2020  
L-0 January 2021

### URC-14FZ

L-0 November 2021  
M-0 March 2022

**URC-22F**

U-5 March 2009  
V-5 January 2010  
A-5 January 2011  
B-5 January 2012  
B-0 October 2012  
C-0 April 2013  
C-1 July 2013  
D-0 January 2014  
E-0 January 2015  
F-0 August 2016  
G-0 June 2017  
H-0 January 2018  
J-0 January 2019  
K-0 January 2020  
L-0 January 2021  
M-0 February 2022

**URC-22FZ**

L-0 November 2021  
M-0 March 2022

**URC-23F**

T-5 May 2008  
U-5 November 2009  
V-5 January 2010  
A-5 January 2011  
B-5 January 2012  
B-0 October 2012  
C-0 January 2013  
C-1 July 2013  
D-0 January 2014  
E-0 January 2015  
F-0 January 2016  
G-0 June 2017  
J-0 January 2019  
K-0 January 2020  
L-0 January 2021

## **Auxiliary Code Breakdown**

### **Auxiliary Codes "-5"**

The auxiliary code is the first two characters in the serial number. The first character indicates the year. Years progress or regress in alphabetical order. The series runs from "A" through "V" and the letters "I" and "O" are skipped. The second character indicates significant part changes within a year. Base is "5" and this number advances for each change.

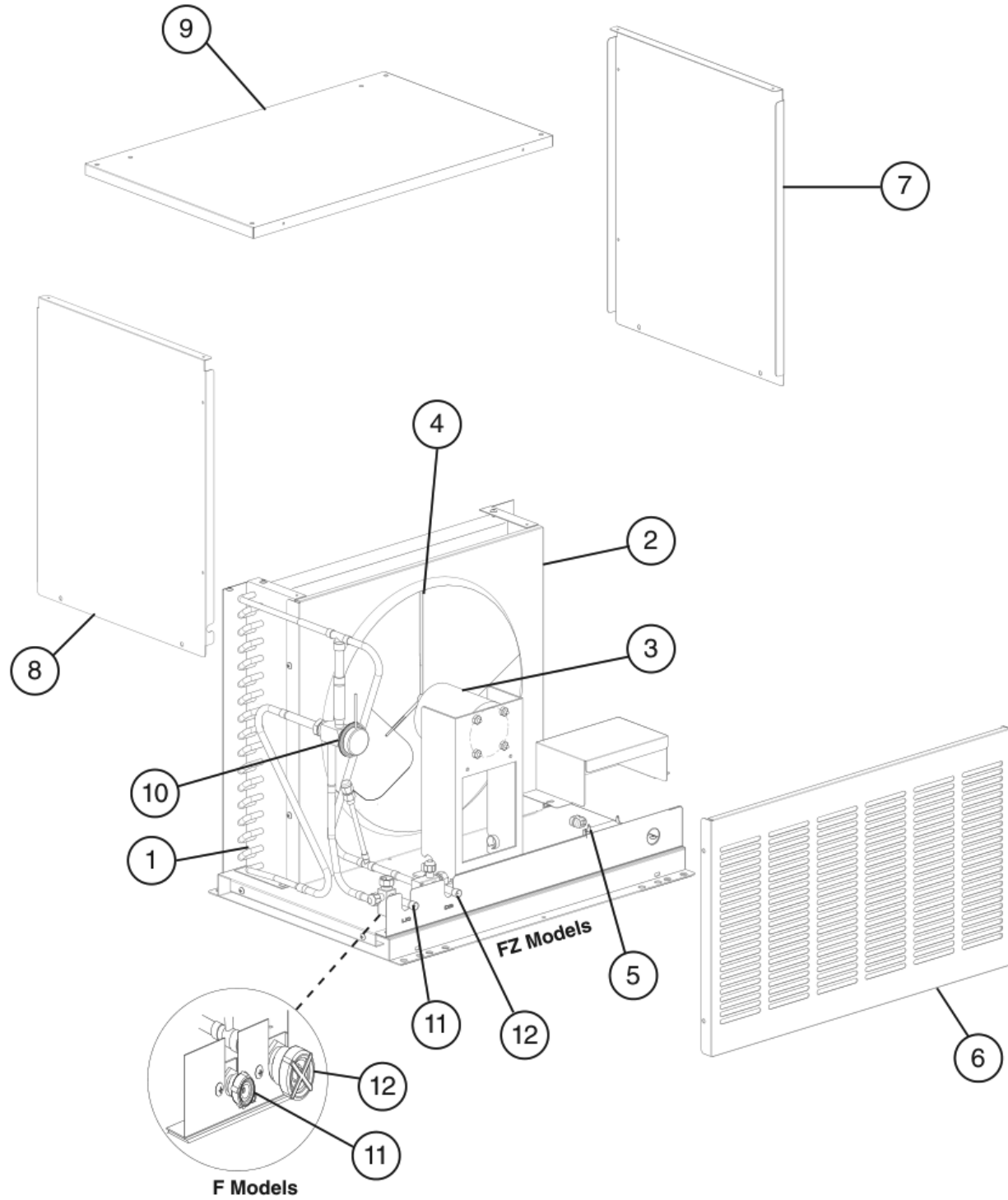
### **Auxiliary Codes "-0"**

The auxiliary code is the first two characters in the serial number. The first character indicates the year. Years progress or regress in alphabetical order. The series runs from "A" through "V" and the letters "I" and "O" are skipped. The second character indicates significant part changes within a year. Base is "0" and this number advances for each change.

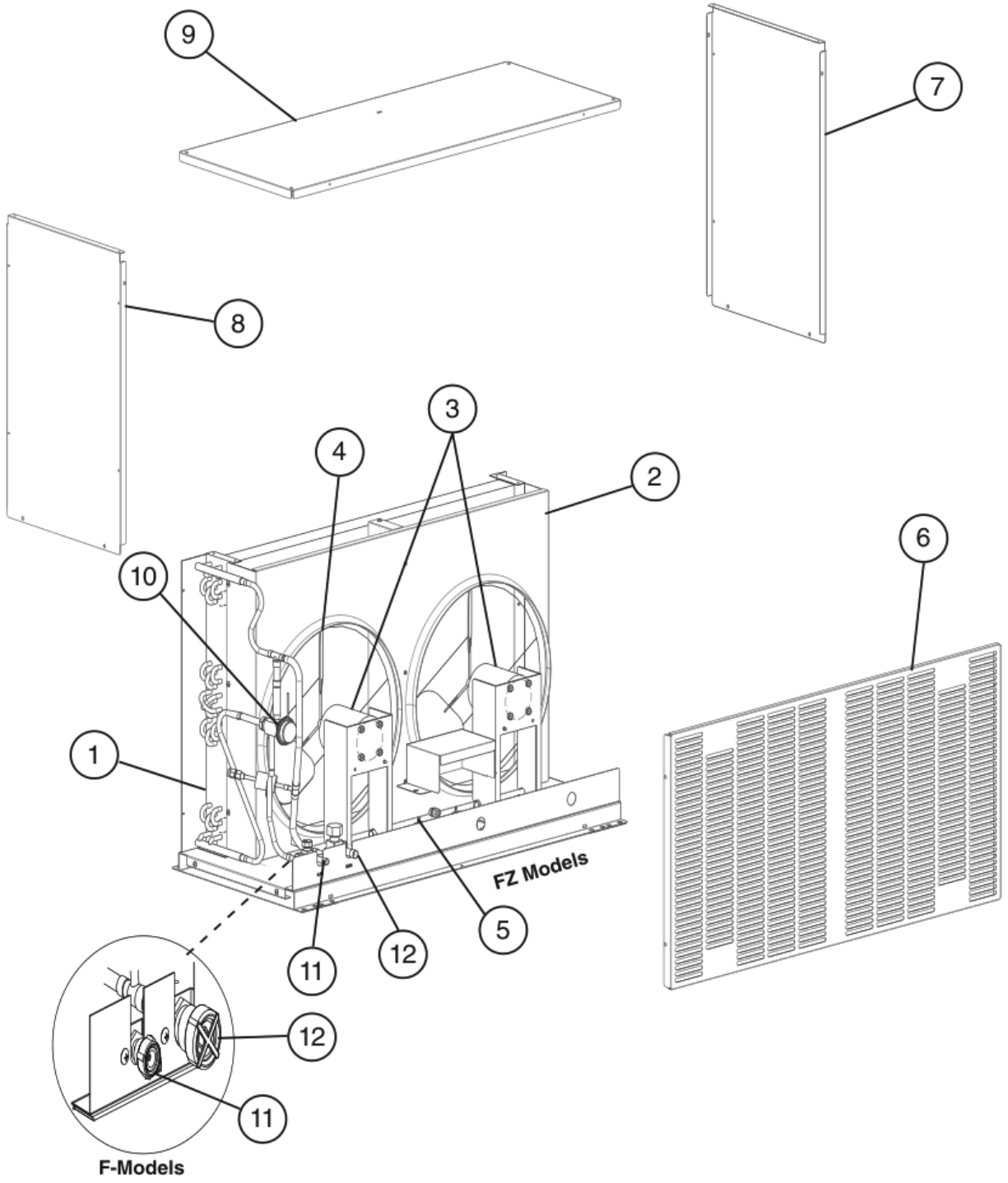
## **Note About Ordering Parts**

Most assemblies cannot be ordered as complete units; parts in the assemblies generally must be ordered separately.

**A. Condenser Unit**  
**URC-5F(Z), URC-9F(Z)**  
R-5 to M-0



**A. Condenser Unit**  
**URC-14F(Z), URC-22F(Z), URC-23F**  
R-5 to M-0



Title: A. Condenser Unit Model: URC-5(Z), URC-9F(Z), URC-14F(Z), URC-14F(Z), URC-22F(Z), URC-23F												
Index No.	Description	Material or Model Number	Part Number	Required Number								
				R-5 to C-1	C-1 (H) to D-0	D-1 (C)	D-1 (H)	E-0 to J-0 (E)	J-0 (F) to M-0			
1	Condenser	URC-5F(Z)	216519-02	1	1	1	1	1	1			
		URC-9F(Z)	1A1231-01	1	1	1	1	1	1			
		URC-14F(Z)	104777-02	1	1	1	1	1	1			
		URC-22F(Z)	104918-02	1	1	1	1	1	1			
		URC-23F	1A1048-01	1	1	-						
			1A3506-01			1	1	1	1			
2	Shroud	URC-5F(Z)	216522-01	1	1	1	-					
			2A7228-01				1	1	1			
		URC-9F(Z)	2A3869-01	1	1	-						
			2A7152-01			1	1	1	1			
		URC-14F(Z)	324150G02	1	1	-						
			3A7881-01			1	1	1	1			
		URC-22F(Z)	214742-01	1	-							
			2A7101-01		1	1	1	-				
			3A8629-01					1	1			
		URC-23F	325010G02	1	-							
			2A7185-01		1	1	1	1	1			
		3	Fan Motor	URC-5F(Z)	4A3201-01	1	1	1	1	1	1	
URC-9F(Z)												
URC-14F(Z)	2			2		2	2	2	2			
URC-22F(Z)												
4	Fan Blade	URC-5F(Z)	4A1493-01	1	1	1	1	1	1			
		URC-9F(Z)										
		URC-14F(Z)		2	2	2	2	2	2			
		URC-22F(Z)										
5	Capacitor 10.0MFD, 250VAC	URC-5F(Z)	443192-01	1	1	1	1	-				
			4A6435-01						1			
		URC-14F(Z)	443192-01	2	2	2	2	2	2			
			4A6435-01						2			
		URC-23F	443192-01						2			
		6	Louver Panel	URC-5F(Z)	216521-01	1	1	1	1	1	1	
URC-9F(Z)	2A7139-01			1	1	1	1	1	1			
URC-14F(Z)	213968-01			1	1	-						
	2A7139-01					1	1	1	1			
URC-22F(Z)	325014G02			1	-							
	2A7110-01				1	1	1	1	1			
URC-23F	325014G02				-							
	2A7110-01				1	1	1	1	1			
7	Right Side Panel	URC-5F(Z)	2A1884-01	1	1	1	1	1	1			
		URC-9F(Z)	2A1914-01	1	1	1	1	1	1			
		URC-14F(Z)										
		URC-22F(Z)	2A1926-01	1	1	1	1	1	1			
		URC-23F										

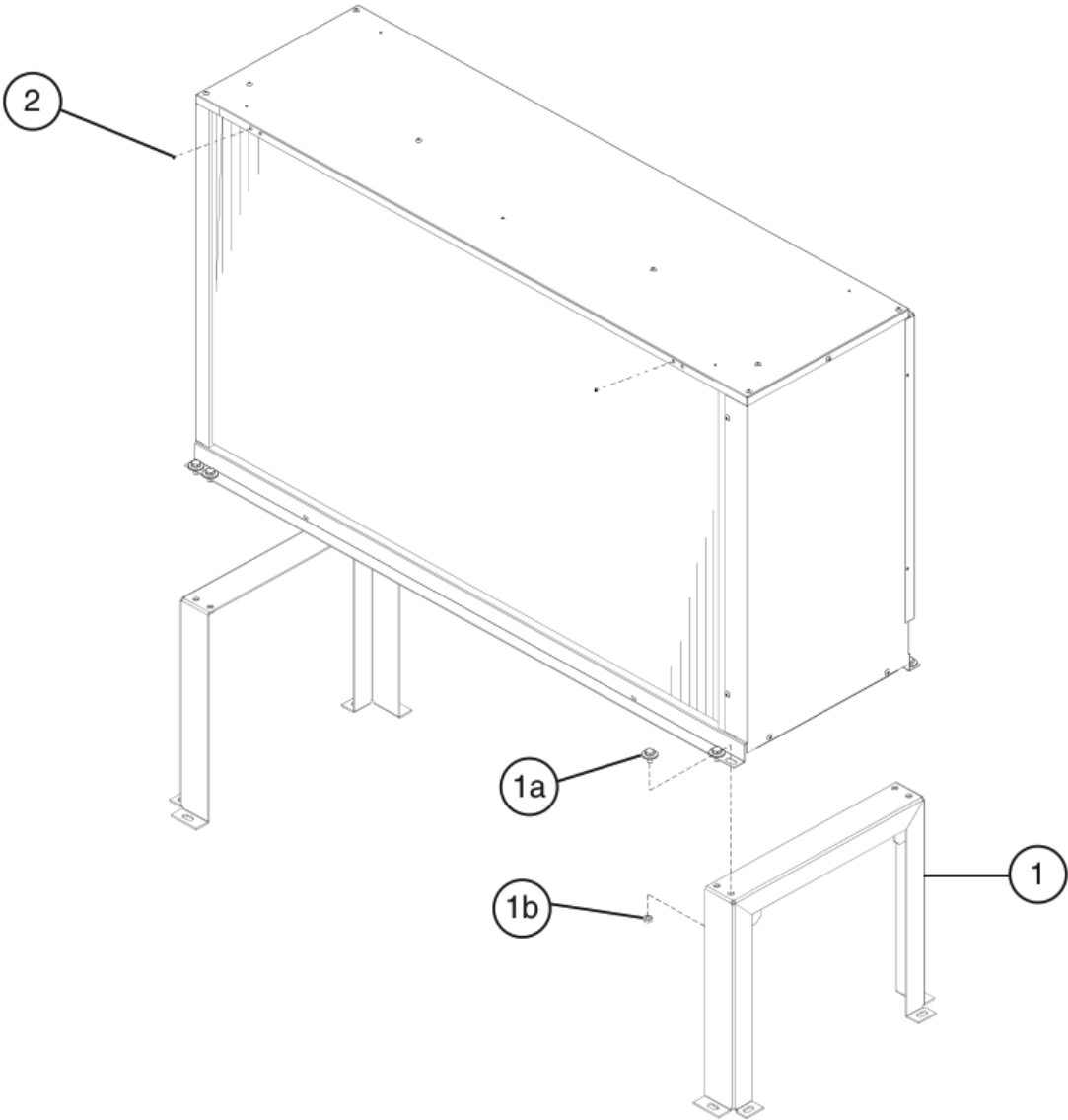
Title: A. Condenser Unit Model: URC-5(Z), URC-9F(Z), URC-14F(Z), URC-14F(Z), URC-22F(Z), URC-23F												
Index No.	Description	Material or Model Number	Part Number	Required Number								
				R-5 to C-1	C-1 (H) to D-0	D-1 (C)	D-1 (H)	E-0 to J-0 (E)	J-0 (F) to M-0			
8	Left Side Panel	URC-5F(Z)	2A1885-01	1	1	1	1	1	1			
		URC-9F(Z)	2A1915-01	1	1	-						
			2A7153-01			1	1	1	1			
		URC-14F(Z)	2A1914-01	1	1	1	1	1	1			
		URC-22F(Z) URC-23F	2A1925-01	1	1	1	1	1	1			
9	Top Panel	URC-5F(Z)	2A0897-01	1	1	1	1	1	1			
		UCR-9F(Z)	2A3889-01	1	1	-						
			2A7142-01			1	1	1	1			
		URC-14F(Z)	2A0900-01	1	1	-						
			2A7142-01			1	1	1	1			
		URC-22F(Z)	326137G02	1								
			3A7841-01		1	1	1	-				
			3A7977-01					1	1			
		URC-23F	3A3489G01	1	-							
3A7977-01			1	1	1	1	1					
10	Headmaster (Condensing Pressure Regulator - C.P.R.)	URC-5F(Z)	4A0229-04	1	1	1	1	1	1			
		URC-9F(Z)										
		URC-14F(Z)										
		URC-22F(Z)										
11	Discharge Line Coupling	URC-5F URC-9F URC-14F URC-22F URC-23F	434072-01	1	1	1	1	1	-			
	Discharge Line Service Valve	URC-5FZ URC9FZ URC-14FZ URC-22FZ	4A3490-01							1		
12	Liquid Line Coupling	URC-5F URC-9F URC-14F URC-22F URC-23F	426554-01	1	1	1	1	1	-			
	Liquid Line Service Valve	URC-5FZ URC-9FZ URC-14FZ URC-22FZ	4A3491-01							1		

**B. Accessories**

**URC-5F(Z), URC-9F(Z), URC-14F(Z), URC-22F(Z), URC-23F**

**1/2**

R-5 to D-1(G)

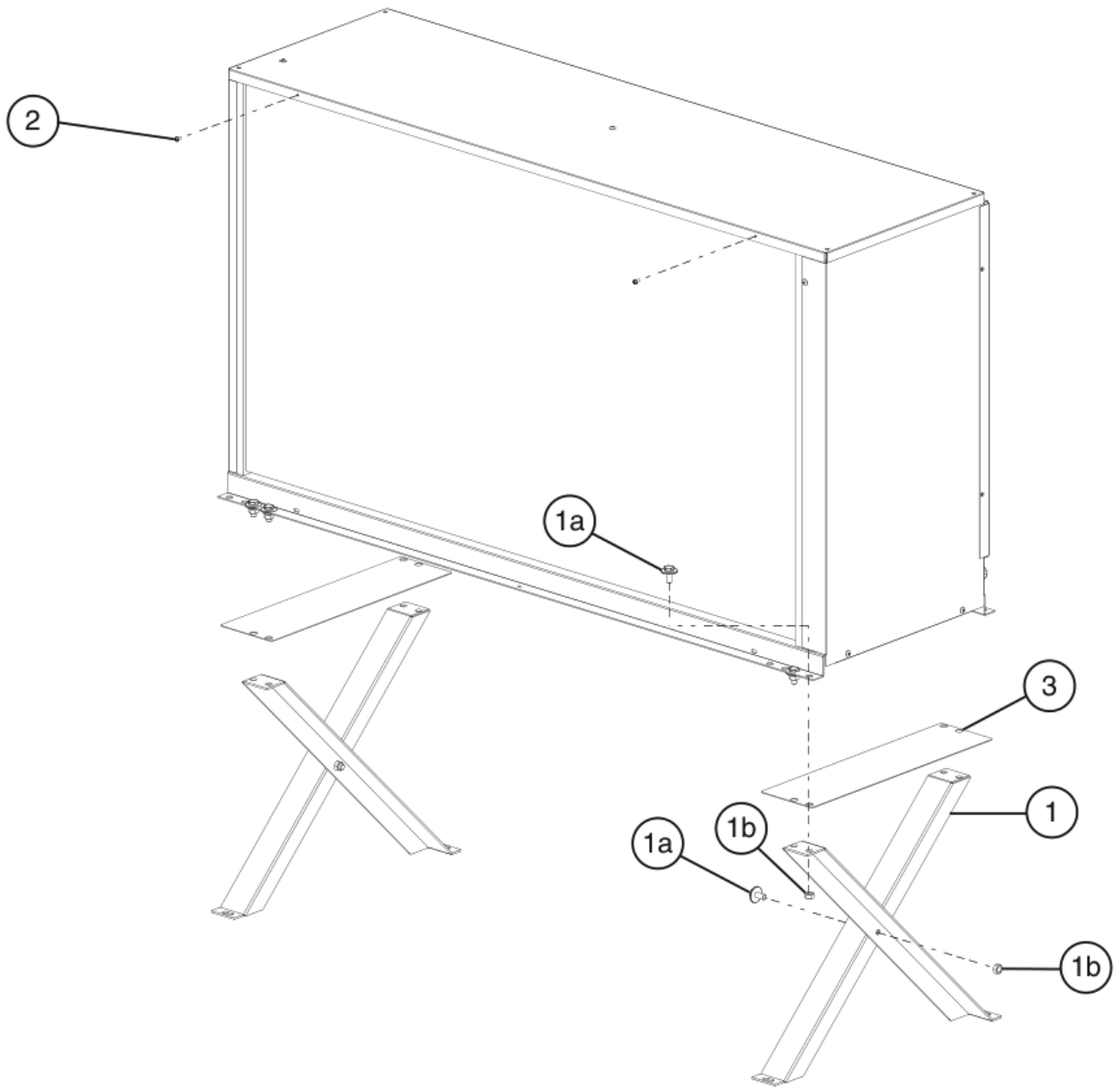


**B. Accessories**

**URC-5F(Z), URC-9F(Z), URC-14F(Z), URC-22F(Z), URC-23F**

**2/2**

D-1(H) to M-0



Title: B. Accessories Model: URC-5F(Z), URC-9F(Z), URC-14F(Z), URC-22(F), URC-23F											
Index No.	Description	Material or Model Number	Part Number	Required Number							
				R-5 to C-0	C-1 (H)	C-1 (K) to D-1 (C)	D-1 (D) to D-1 (G)	D-1 (H) to L-0 (G)	L-0 (H) to M-0		
1	Leg	URC-5F	3A1704G01	2	2	2	2	-			
		URC-5F(Z)	3A7823-01					4	4		
		URC-9F URC-14F URC-22F	3A1704G01				-				
		URC-9F(Z) URC-14F(Z) URC-22F(Z)	3A7823-01				4	4	4		
		URC-23F	3A1704G01	2	2	-					
			3A7823-01			4	4	4	4		
1a	Hex Head Bolt W/Washer	8x20, SS	7B0130820	8	8	8	8	8	8		
1b	Hex Nut	M8, SS	7N11-0800	8	8	8	8	8	8		
2	T2 Screw	4x8, SS	7P32-0408	4	4	4	4	4	4		
3	Plate	URC-5F(Z)	3A3872-01						2		
		URC-9F(Z)				2	2	2			
		URC-14F(Z)				2	2	2			
		URC-22F(Z)		2	2	2	2	2			
		URC-23F			2	2	2	2			