

# VALIANCE®

by



**HOSHIZAKI**

## Parts List

### VF1A-FS

---

Issued: 03-20-2025

Revised: 12-17-2025

# TABLE OF CONTENTS

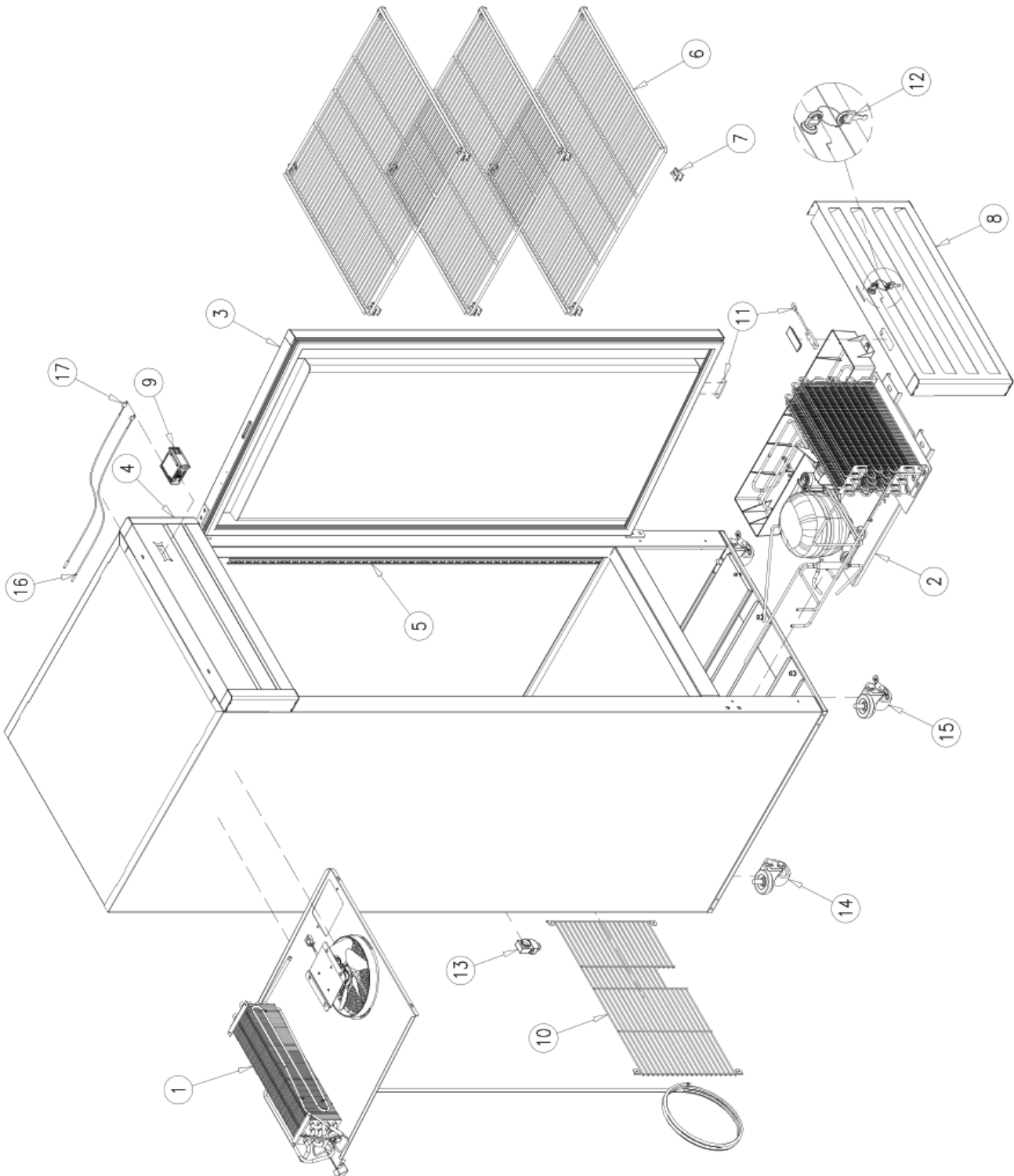
MAIN ASSEMBLY .....	3
EVAPORATOR ASSEMBLY .....	5
CONDENSING UNIT ASSEMBLY .....	7
DOOR ASSEMBLY .....	9
LIGHTING SYSTEM .....	11

**NOTE:**

*To order spare parts, always include the following information:*

- *Model Number* \_\_\_\_\_
- *Serial Number* \_\_\_\_\_

# MAIN ASSEMBLY



# MAIN ASSEMBLY

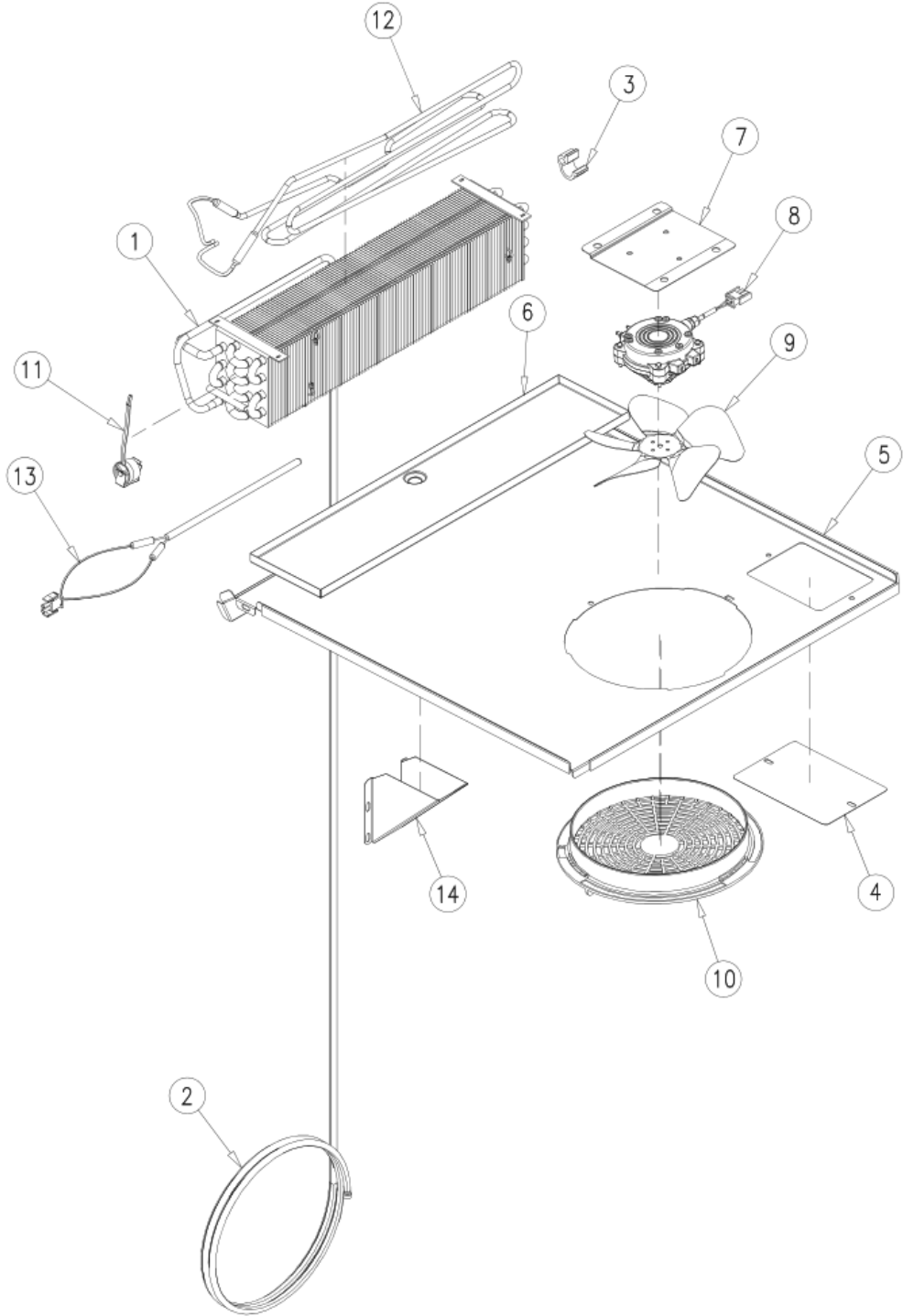
<i>Item No.</i>	<i>Description</i>	<i>Part No.</i>	<i>Quantity per cooler</i>
1	EVAPORATOR ASSEMBLY	OT-EV-0360*	1
2	CONDENSING UNIT ASSEMBLY	OT-UN-0540	1
3	RIGHT DOOR ASSEMBLY	OT-PTA-0420	1
4	HEADER SIGN	OT-RT-0494	1
5	PILASTER (48")	PI-74-48***	4
6	FLAT SHELF	SH-0624-HD-GR	3
7	SHELF CLIPS	CL-51-SS-E	12
8	FRONT GRILL	OT-CM-0659	1
9	CONTROL MODULE	CT-209-CO-385-K**	1
10	BACK GRILL	SH-0619-G-GR	1
11	DOOR SWITCH	EL-306	1
12	LOCK AND KEY SET	HA-471-G-K	1
13	PRESSURE RELIEF VALVE	VA-110	1
14	BACK NON-LOCKING CASTER	CA-4	2
15	FRONT LOCKING CASTER	CA-4-BR	2
16	CABINET THERMISTOR	CT-207-BK	1
17	DEFROST THERMISTOR	CT-207-WH	1

\* OT-EV-0360 Includes a CL-108 DEFROST THERMISTOR CLIP

\*\* THE PART NUMBER CT-209-CO-385-K INCLUDES:  
 CONTROL MODULE CT-209-CO-385  
 CABINET THERMISTOR [CT-207-BK](#)  
 DEFROST THERMISTOR [CT-207-WH](#)

***Parts Change With Serial Number Break						
ITEM No.	Description	Interchangeable	Previous Component	Hoshizaki Last Serial Number and Earlier	Current Component	Hoshizaki First Serial Number and Later
5	PILASTER	YES	PI-5	Q-00737(J)	PI-74-48	Q-00810(L)

# EVAPORATOR ASSEMBLY

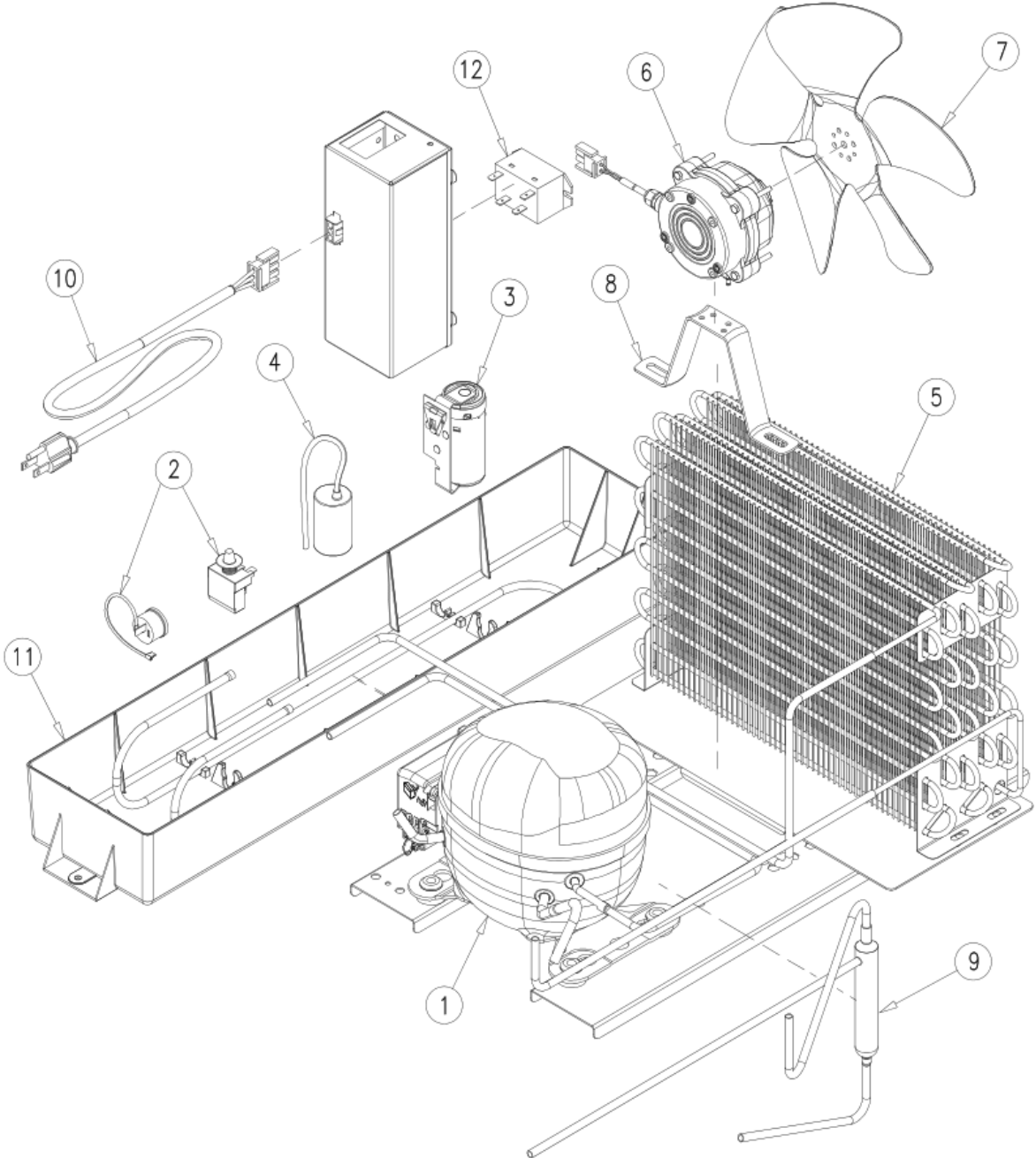


# EVAPORATOR ASSEMBLY

---

<i>Item No.</i>	<i>Description</i>	<i>Part No.</i>	<i>Quantity per cooler</i>
1	EVAPORATOR	CO-312-EC	1
2	HEAT EXCHANGER	TUB-1657	1
3	DEFROST THERMISTOR CLIP	CL-108	1
4	SHROUD COVER	OT-10442	1
5	SHROUD	OT-26828	1
6	EVAPORATOR DRAIN PAN	OT-16248	1
7	EVAPORATOR FAN MOTOR BRACKET	OT-26873	1
8	EVAPORATOR FAN MOTOR	FA-124-SW-0396	1
9	EVAPORATOR FAN BLADE	FA-17-EBM	1
10	FAN GUARD	FA-123-B-GR	1
11	DEFROST SAFETY THERMOSTAT	CT-11-R-EM-3171	1
12	DEFROST HEATER	EL-238-D-312-B	1
13	DRAIN HEATER	EL-851-V1	1
14	DRAIN HOSE COVER	OT-26893	1

# CONDENSING UNIT ASSEMBLY



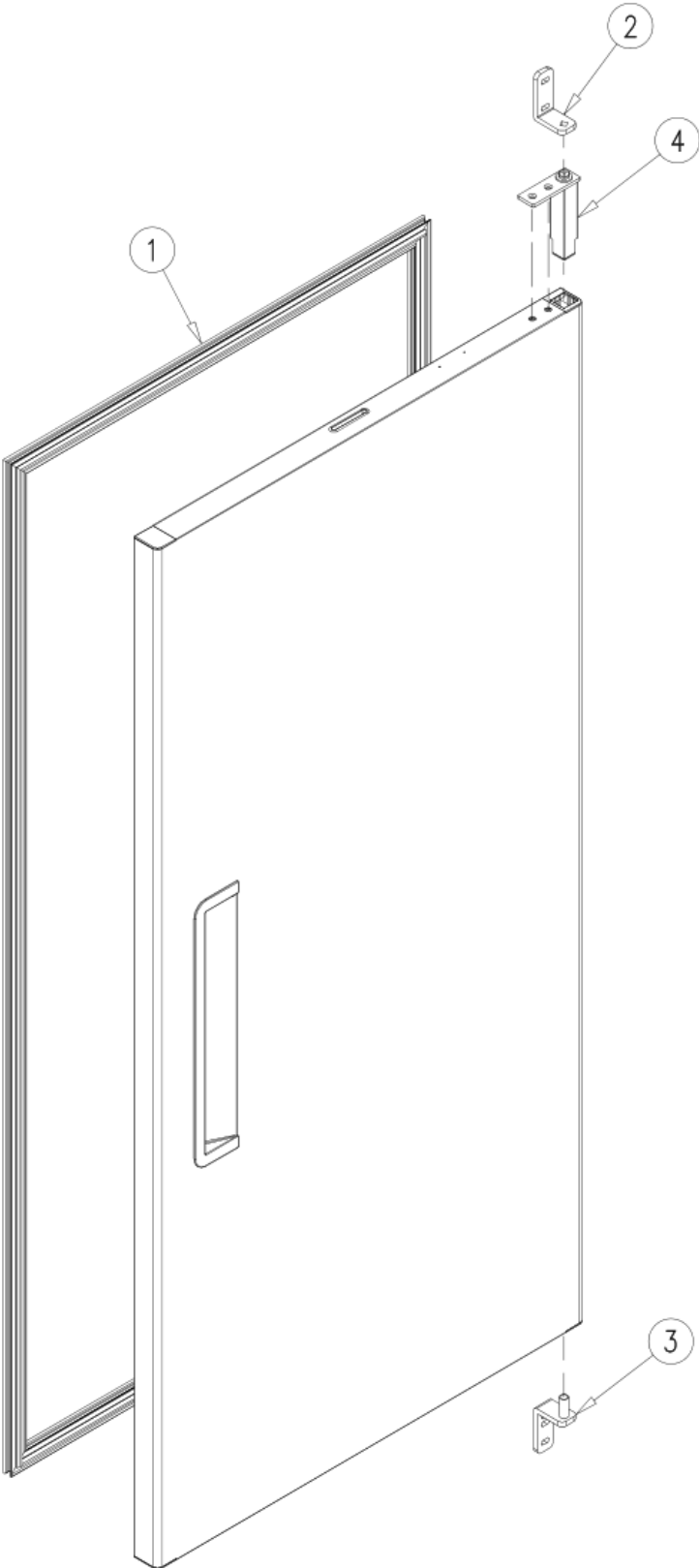
# CONDENSING UNIT ASSEMBLY

---

<i>Item No.</i>	<i>Description</i>	<i>Part No.</i>	<i>Quantity per cooler</i>
1	COMPRESSOR (1/3HP 115-127V/60HZ R-290)	NUY90NRB	1
2	EXTERNAL PROTECTOR (T0535) & PTC RELAY (2014 180)	EL-2195-R	1
3	START CAPACITOR (150 $\mu$ F 160V)	CAP-150-160	1
4	RUN CAPACITOR (10 $\mu$ F 250V)	CAP-10-250	1
5	CONDENSER	CO-453-L	1
6	CONDENSER FAN MOTOR	FA-122-SW-35-0396	1
7	CONDENSER FAN BLADE	FA-11-WE	1
8	CONDENSER FAN MOTOR BRACKET	FA-18	1
9	DRIER	DR-31-2	1
10	POWER CORD (9 ft)	EL-1260-9	1
11	OVERFLOW DRAIN PAN	OT-IN-0032	1
12	MAGNETIC CONTACTOR	EL-716-R	1

# DOOR ASSEMBLY

---



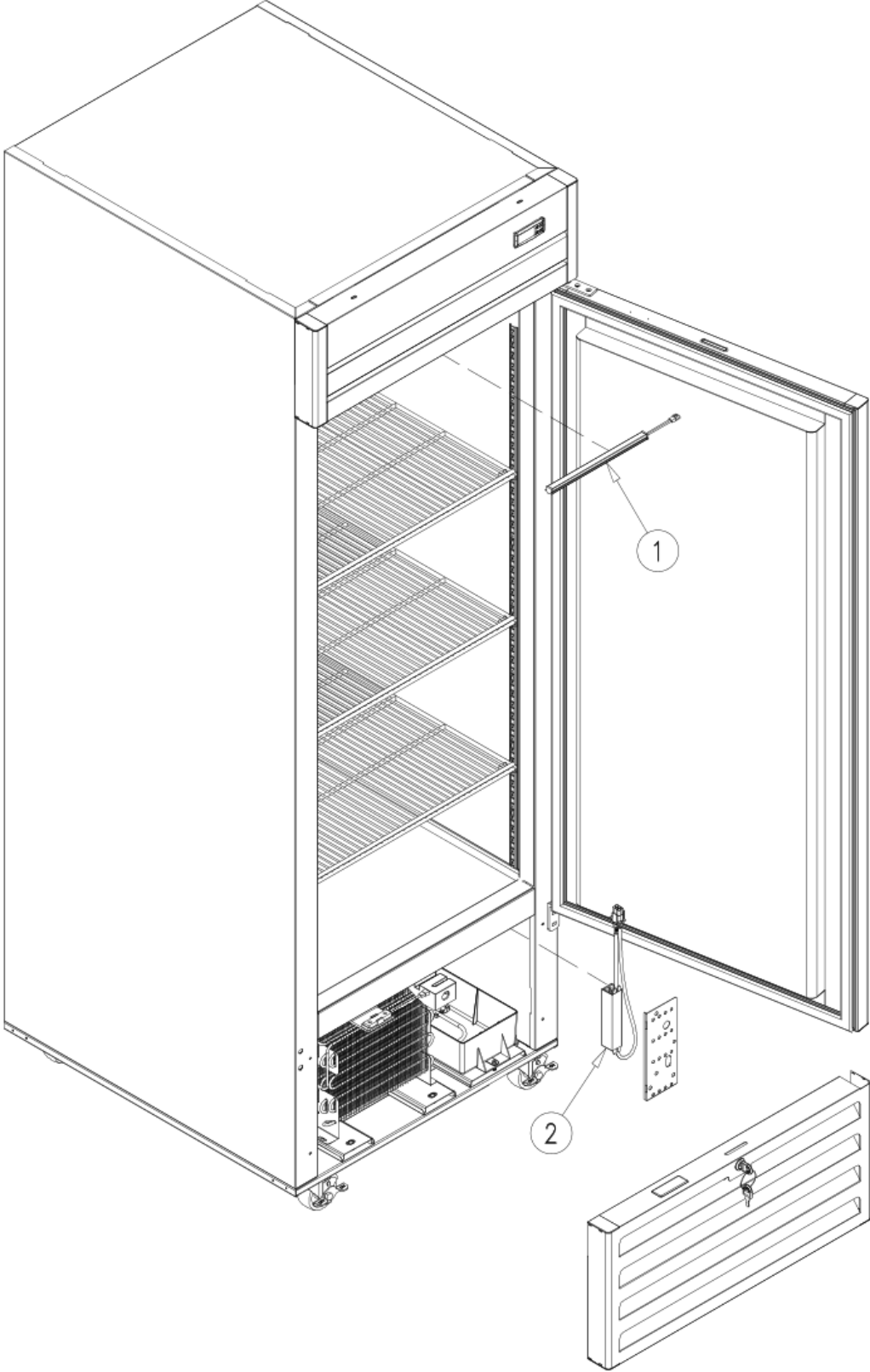
# DOOR ASSEMBLY

---

<i>Item No.</i>	<i>Description</i>	<i>Part No.</i>	<i>Quantity per cooler</i>
1	MAGNETIC GASKET	OT-GA-500-PTA-0420	1
2	UPPER HINGE ASSEMBLY	HA-686-K	1
3	LOWER HINGE ASSEMBLY	HA-536-R-K	1
4	TORSION MECHANISM	HA-612	1

# LIGHTING SYSTEM

---



# LIGHTING SYSTEM

---

<i>Item No.</i>	<i>Description</i>	<i>Part No.</i>	<i>Quantity per cooler</i>
1	LED LAMP STRIP (9 3/4")	EL-145	1
2	LED DRIVER (1.25 Amp.)	OT-EL-151-T	1