

# VALIANCE®

by



**HOSHIZAKI**

## Parts List

# VR2A-FS

---

Issued: 07-24-2024

Revised: 12-17-2025

# TABLE OF CONTENTS

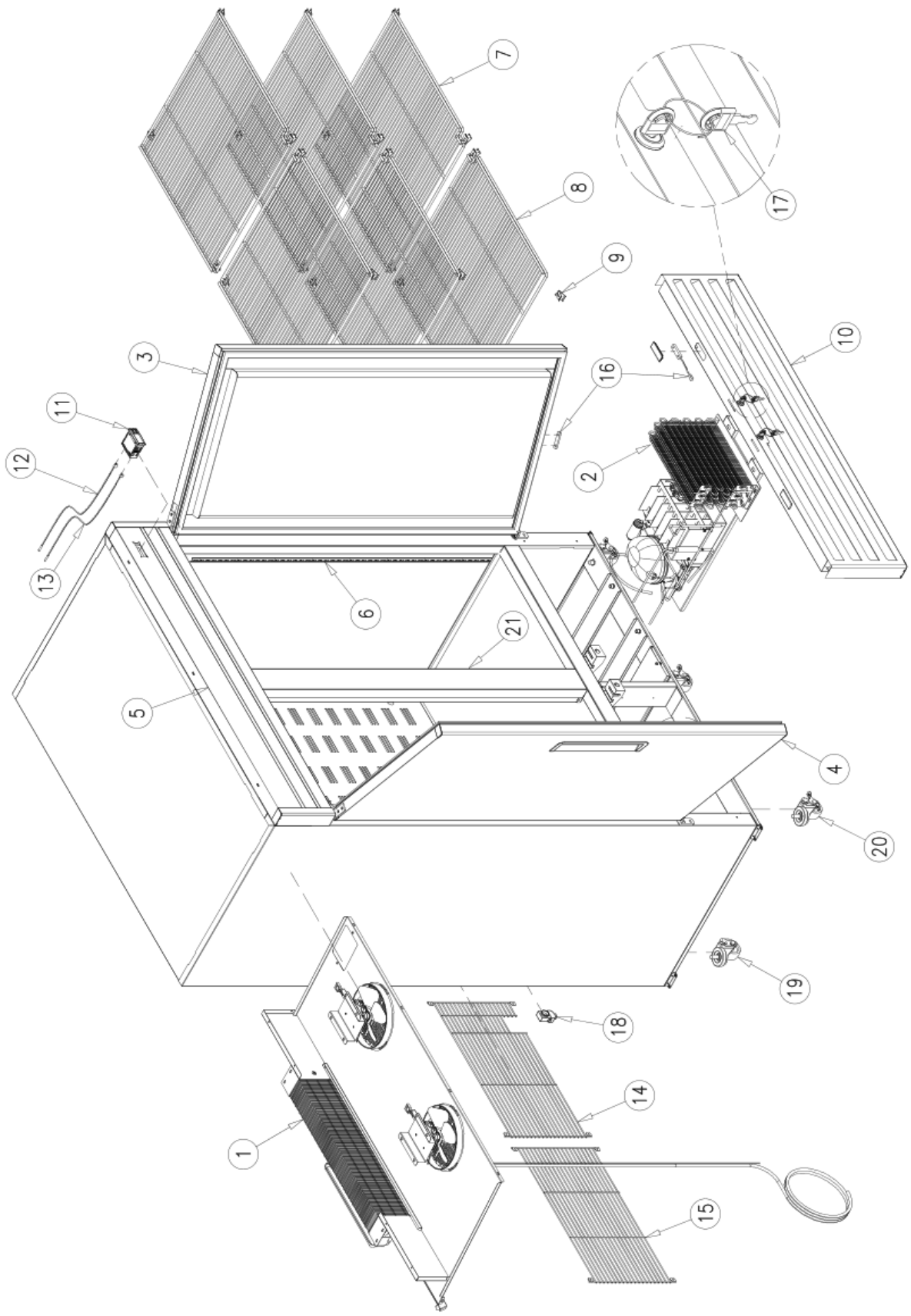
MAIN ASSEMBLY .....	3
EVAPORATOR ASSEMBLY .....	5
CONDENSING UNIT ASSEMBLY .....	7
DOOR ASSEMBLY .....	9
LIGHTING SYSTEM .....	11

**NOTE:**

*To order spare parts, always include the following information:*

- *Model Number* \_\_\_\_\_
- *Serial Number* \_\_\_\_\_

# MAIN ASSEMBLY



VR2A-FS

# MAIN ASSEMBLY

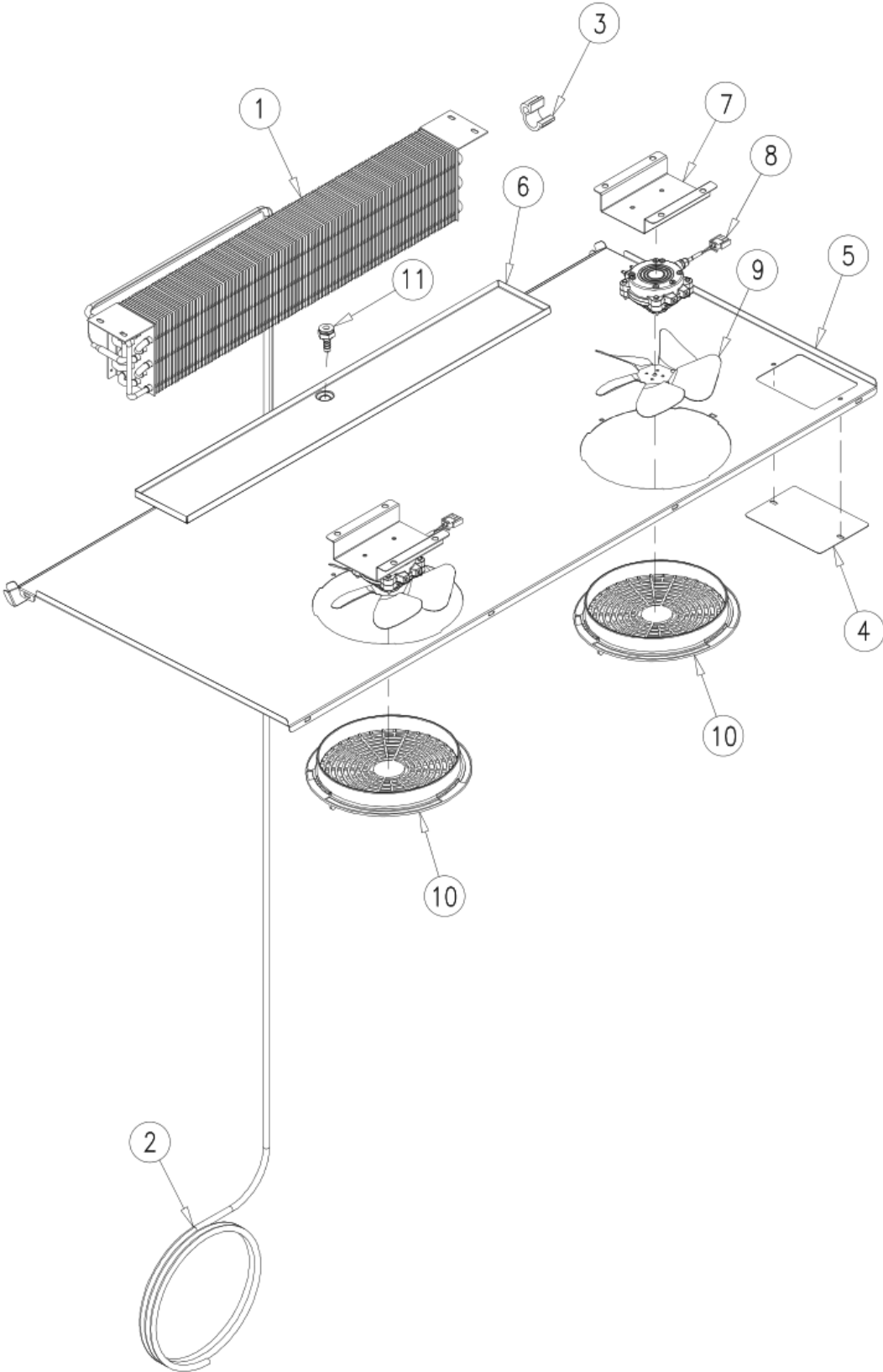
<i>Item No.</i>	<i>Description</i>	<i>Part No.</i>	<i>Quantity per cooler</i>
1	EVAPORATOR ASSEMBLY	OT-EV-0194*	1
2	CONDENSING UNIT ASSEMBLY	OT-UN-0590	1
3	RIGHT DOOR ASSEMBLY	OT-PTA-0422-R	1
4	LEFT DOOR ASSEMBLY	OT-PTA-0422-L	1
5	HEADER SIGN	OT-RT-0495	1
6	PILASTER 48"	PI-74-48***	8
7	RIGHT FLAT SHELF	SH-0626-D-HD-FE-GR	3
8	LEFT FLAT SHELF	SH-0626-I-HD-FE-GR	3
9	SHELF CLIPS	CL-51-SS-E	24
10	FRONT GRILL	OT-CM-0657	1
11	CONTROL MODULE	CT-209-CO-386-K**	1
12	CABINET THERMISTOR	CT-207-BK	1
13	DEFROST THERMISTOR	CT-207-WH	1
14	RIGHT BACK GRILL	SH-0562-G-GR	1
15	LEFT BACK GRILL	SH-0563-G-GR	1
16	DOOR SWITCH	EL-306	2
17	LOCK AND KEY SET	HA-471-G-K	2
18	PRESSURE RELIEF VALVE	VA-110	1
19	BACK NON-LOCKING CASTER	CA-4	3
20	FRONT LOCKING CASTER	CA-4-BR	3
21	MULLION	MULLION-0161	1

\* OT-EV-0194 Includes a CL-108 DEFROST THERMISTOR CLIP

\*\* THE PART NUMBER CT-209-CO-386-K INCLUDES:  
 CONTROL MODULE CT-209-CO-386  
 CABINET THERMISTOR [CT-207-BK](#)  
 DEFROST THERMISTOR [CT-207-WH](#)

***Parts Change With Serial Number Break						
ITEM No.	Description	Interchangeable	Previous Component	Hoshizaki Last Serial Number and Earlier	Current Component	Hoshizaki First Serial Number and Later
6	PILASTER	YES	PI-5	Q-01023(J)	PI-74-48	Q-01294(L)

# EVAPORATOR ASSEMBLY

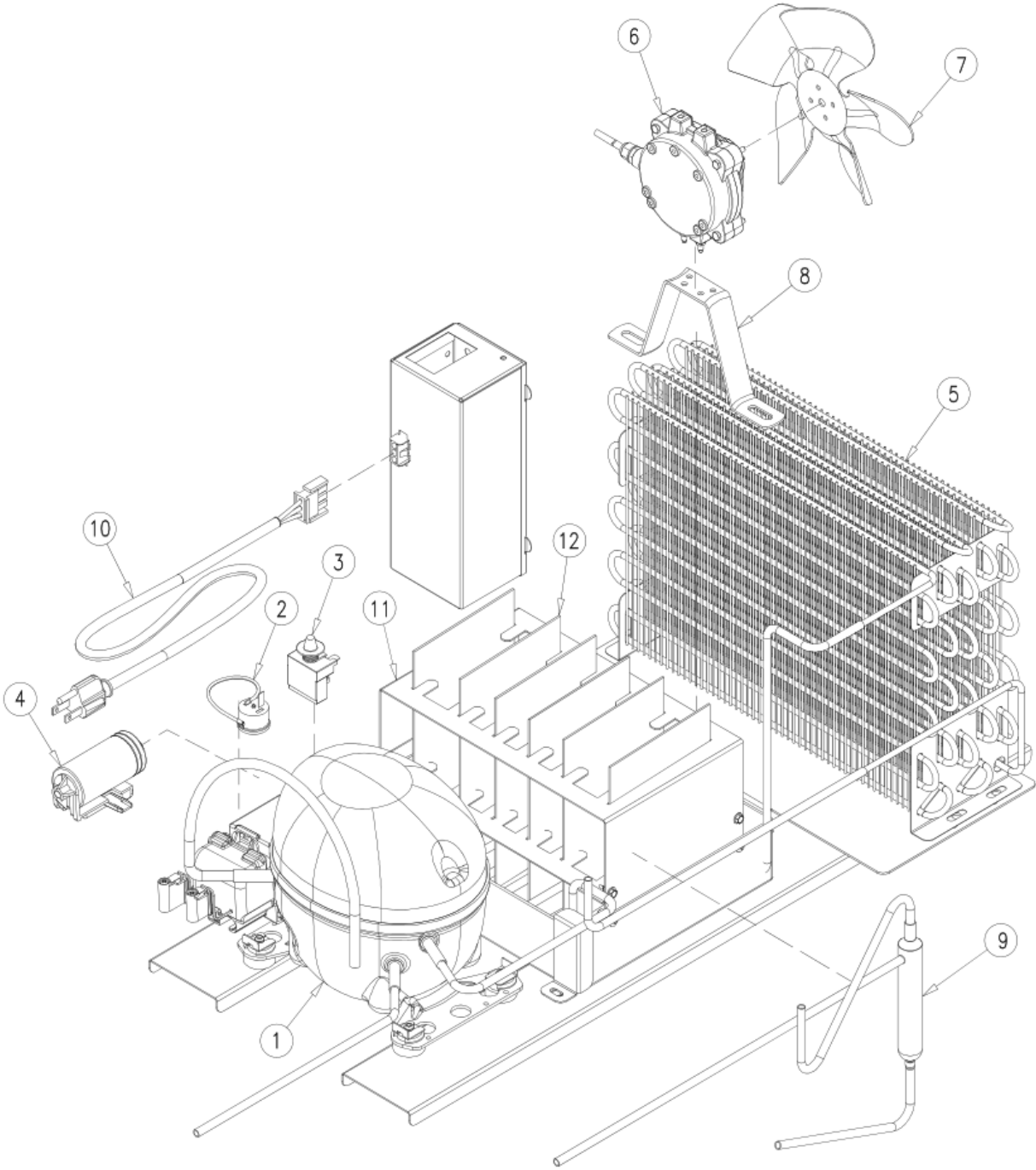


# EVAPORATOR ASSEMBLY

---

<i>Item No.</i>	<i>Description</i>	<i>Part No.</i>	<i>Quantity per cooler</i>
1	EVAPORATOR	CO-369-EC	1
2	HEAT EXCHANGER	TUB-1152	1
3	DEFROST THERMISTOR CLIP	CL-108	1
4	SHROUD COVER	OT-10442	1
5	SHROUD	OT-26954	1
6	EVAPORATOR DRAIN PAN	OT-26957	1
7	EVAPORATOR FAN MOTOR BRACKET	OT-26961	2
8	EVAPORATOR FAN MOTOR	FA-124-SW-0396	2
9	EVAPORATOR FAN BLADE	FA-17-EBM	2
10	FAN GUARD	FA-123-B-GR	2
11	DRAIN FITTING	DR-1-P	1

# CONDENSING UNIT ASSEMBLY



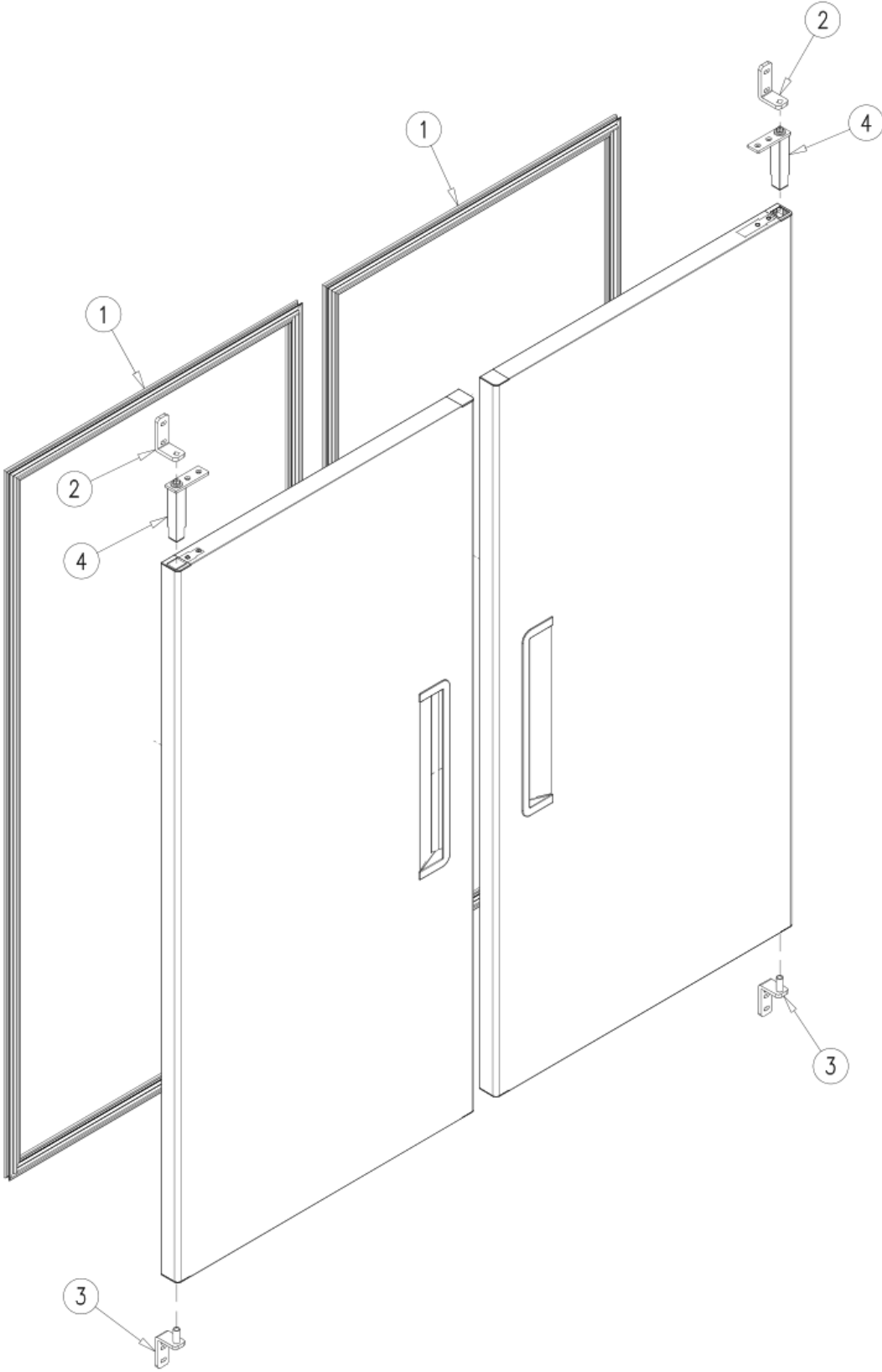
# CONDENSING UNIT ASSEMBLY

---

<i>Item No.</i>	<i>Description</i>	<i>Part No.</i>	<i>Quantity per cooler</i>
1	COMPRESSOR (1/3HP 115V/60HZ R-290)	EM2X3125U	1
2	EXTERNAL PROTECTOR (CP4TMC460N61)	EL-2077-R	1
3	PTC RELAY (8EA14C3/A4R7MD3)	EL-2076-R	1
4	RUN CAPACITOR (20 $\mu$ F 180V)	CAP-20-180	1
5	CONDENSER	CO-453-L	1
6	CONDENSER FAN MOTOR	FA-124-SW-0396	1
7	CONDENSER FAN BLADE	FA-17-EBM	1
8	CONDENSER FAN MOTOR BRACKET	FA-18	1
9	DRIER	DR-31-2	1
10	POWER CORD (9 ft)	EL-1260-9	1
11	DRAIN PAN	EN-2997	1
12	WICK	OT-FEL-001-01	6

# DOOR ASSEMBLY

---



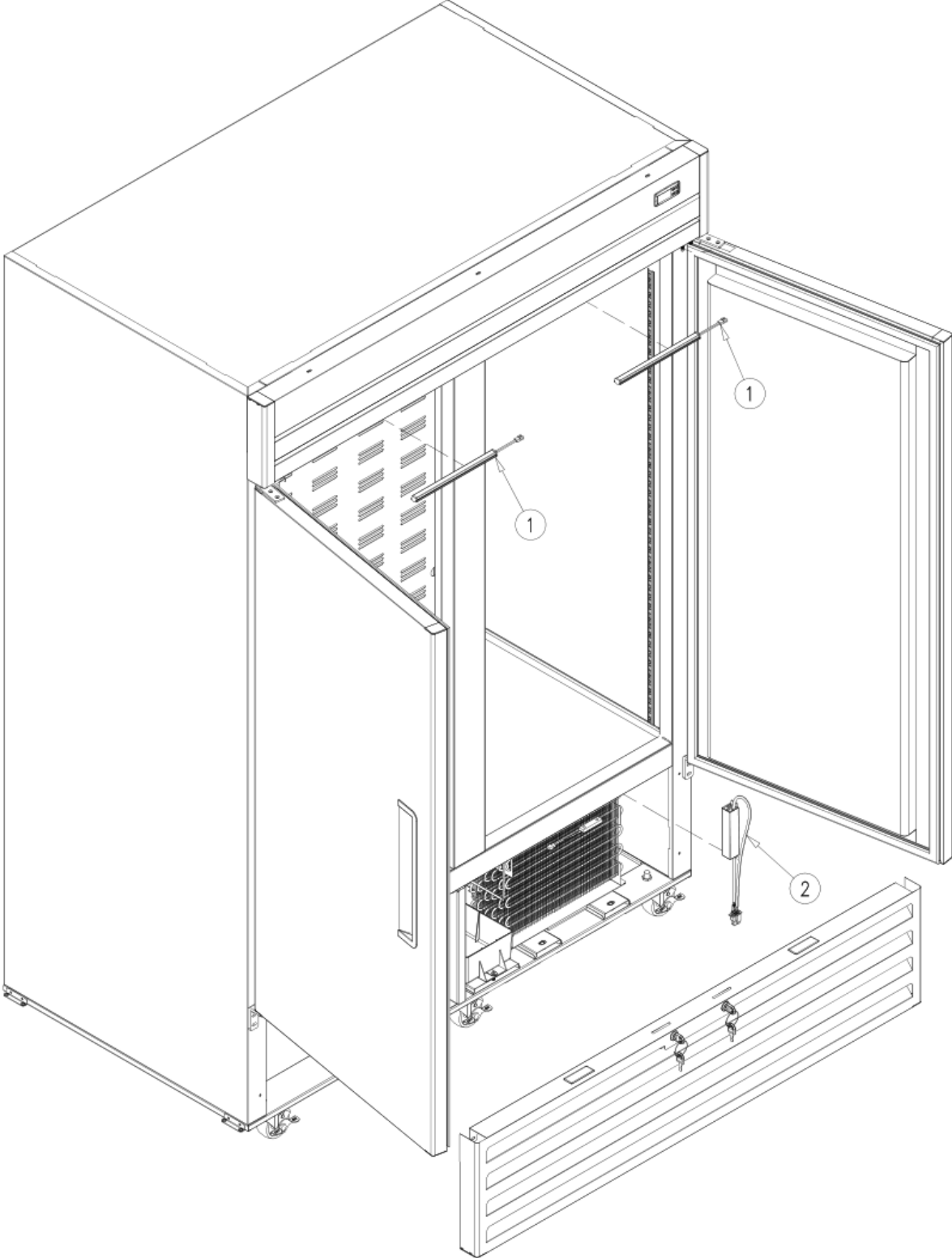
# DOOR ASSEMBLY

---

<i>Item No.</i>	<i>Description</i>	<i>Part No.</i>	<i>Quantity per cooler</i>
1	MAGNETIC GASKET	OT-GA-500-PTA-0422	2
2	UPPER HINGE ASSEMBLY	HA-686-K	2
3	LOWER HINGE ASSEMBLY	HA-536-R-K	2
4	TORSION MECHANISM	HA-612	2

# LIGHTING SYSTEM

---



# LIGHTING SYSTEM

---

<i>Item No.</i>	<i>Description</i>	<i>Part No.</i>	<i>Quantity per cooler</i>
1	LED LAMP STRIP (9 3/4")	EL-145	2
2	LED DRIVER (1.25 Amp.)	OT-EL-151-T	1