

# VALIANCE<sup>®</sup>

by



**HOSHIZAKI**

## Parts List

# VSR27A

## TABLE OF CONTENTS

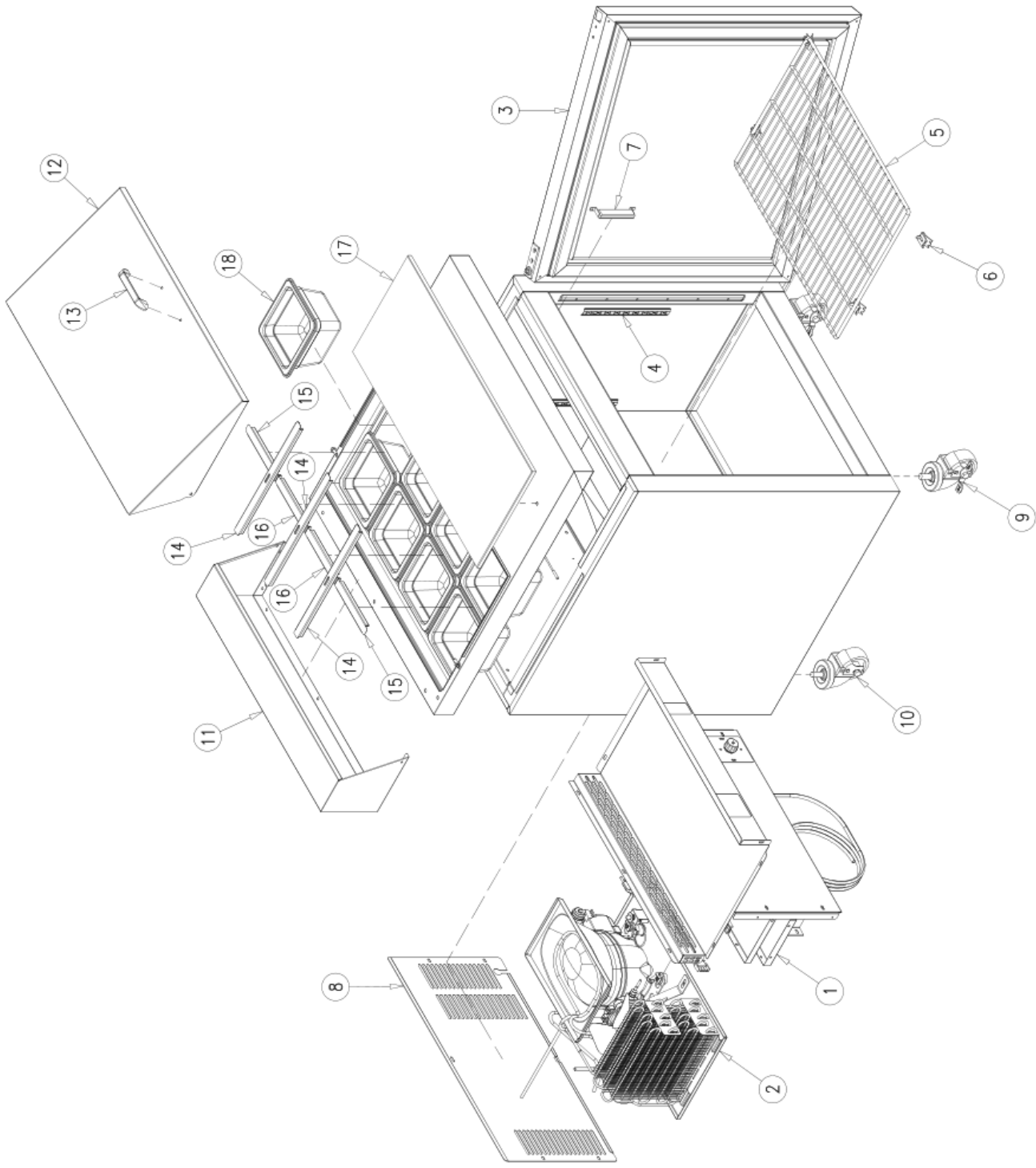
MAIN ASSEMBLY .....	3
EVAPORATOR ASSEMBLY .....	5
CONDENSING UNIT ASSEMBLY .....	7
DOOR ASSEMBLY .....	9

**NOTE:**

*To order spare parts, always include the following information:*

- *Model Number* \_\_\_\_\_
- *Serial Number* \_\_\_\_\_

# MAIN ASSEMBLY

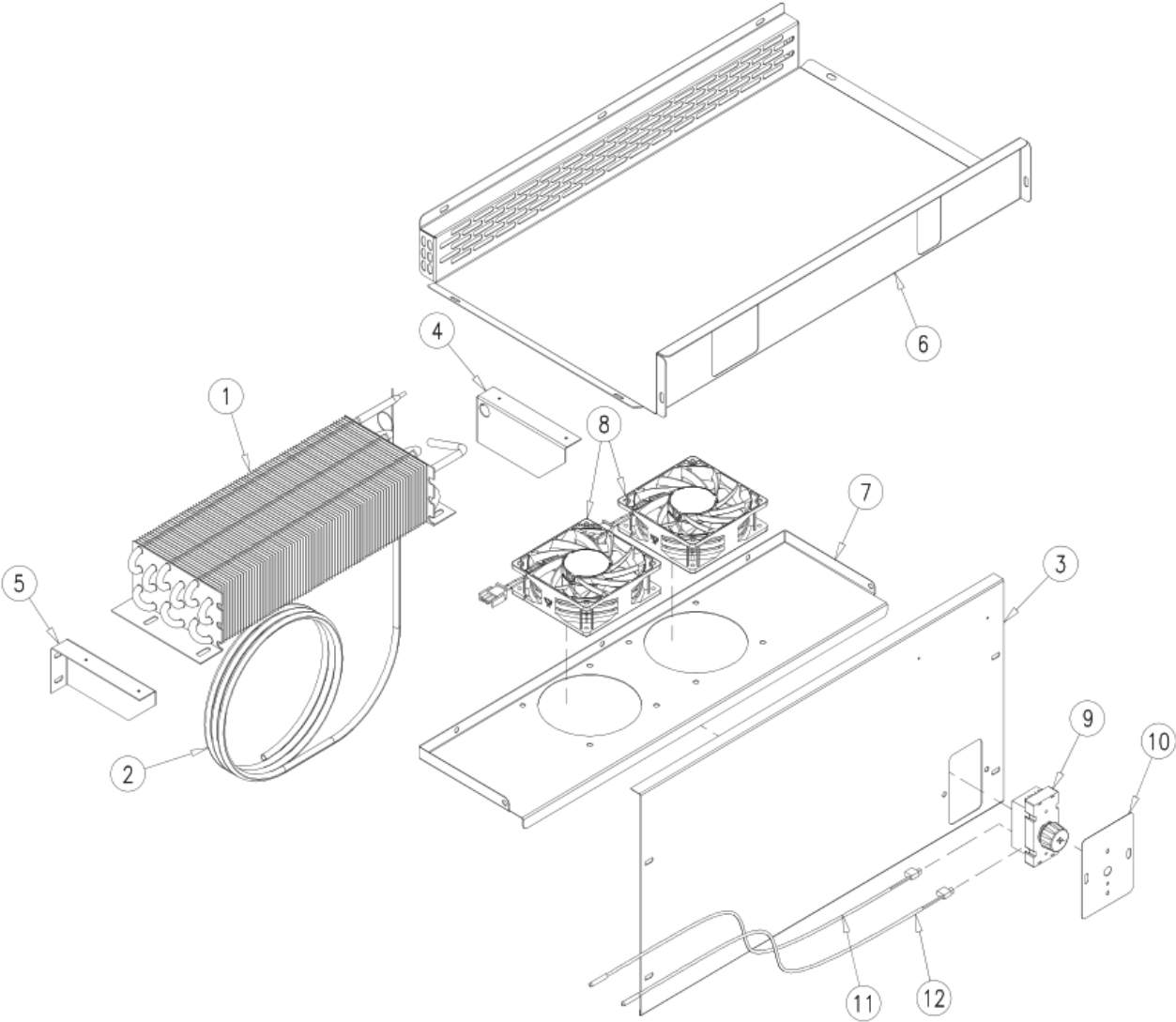


# MAIN ASSEMBLY

---

<i>Item No.</i>	<i>Description</i>	<i>Part No.</i>	<i>Quantity per cooler</i>
1	EVAPORATOR ASSEMBLY	SEE EVAPORATOR ASSEMBLY	1
2	CONDENSING UNIT ASSEMBLY	OT-UN-0393	1
3	DOOR ASSEMBLY	OT-PTA-0257-836	1
4	PILASTER (233 mm)	OT-PI-5-233	4
5	FLAT SHELF	SH-0559-HD-GR	1
6	SHELF CLIPS	CL-51-SS-E	4
7	THERMOMETER	TH-1-E	1
8	BACK GRILL	OT-22328	1
9	FRONT LOCKING CASTER	CA-4-BR	2
10	BACK NON-LOCKING CASTER	CA-4	2
11	BACKSPLASH	OT-27678	1
12	BACKSPLASH COVER	OT-27686	1
13	HANDLE	HA-308-A	1
14	LONG TRAY SUPPORT	OT-27462	3
15	SIDE TRAY SUPPORT	OT-27464	2
16	CENTRAL TRAY SUPPORT	OT-27463	2
17	CUTTING BOARD	RP-0370	1
18	TRAY	PL-674	8

# EVAPORATOR ASSEMBLY



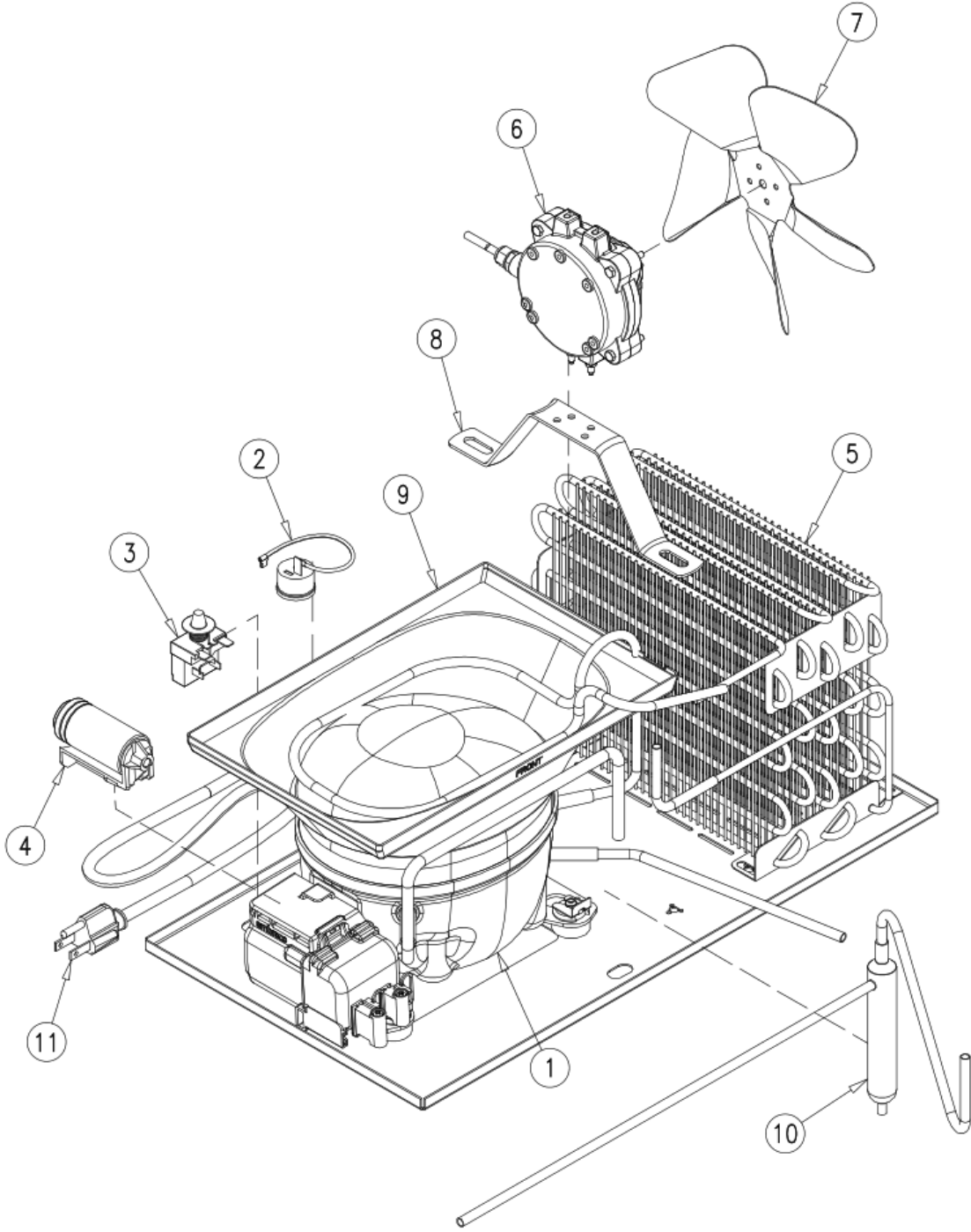
# EVAPORATOR ASSEMBLY

---

<i>Item No.</i>	<i>Description</i>	<i>Part No.</i>	<i>Quantity per cooler</i>
1	EVAPORATOR	CO-476	1
2	HEAT EXCHANGER	TUB-1591	1
3	SHROUD	OT-26532	1
4	RIGHT EVAPORATOR SUPPORT	OT-26137	1
5	LEFT EVAPORATOR SUPPORT	OT-26138	1
6	BAFFLE TRAY	OT-27682	1
7	EVAPORATOR FAN MOTOR BRACKET	OT-27056	1
8	EVAPORATOR FAN MOTOR	FA-125-SW-0396	2
9	CONTROL MODULE	CT-198-CO-301-K*	1
10	CONTROL MODULE BRACKET	OT-26536	1
11	CABINET THERMISTOR	CT-180-3-CO	1
12	DEFROST THERMISTOR	CT-180-4-CO	1

\* THE PART NUMBER CT-198-CO-301-K INCLUDES:  
CONTROL MODULE CT-198-CO-301  
CONTROL MODULE HARNESS [OT-AR-6973](#)  
CABINET THERMISTOR [CT-180-3-CO](#)  
DEFROST THERMISTOR [CT-180-4-CO](#)

# CONDENSING UNIT ASSEMBLY



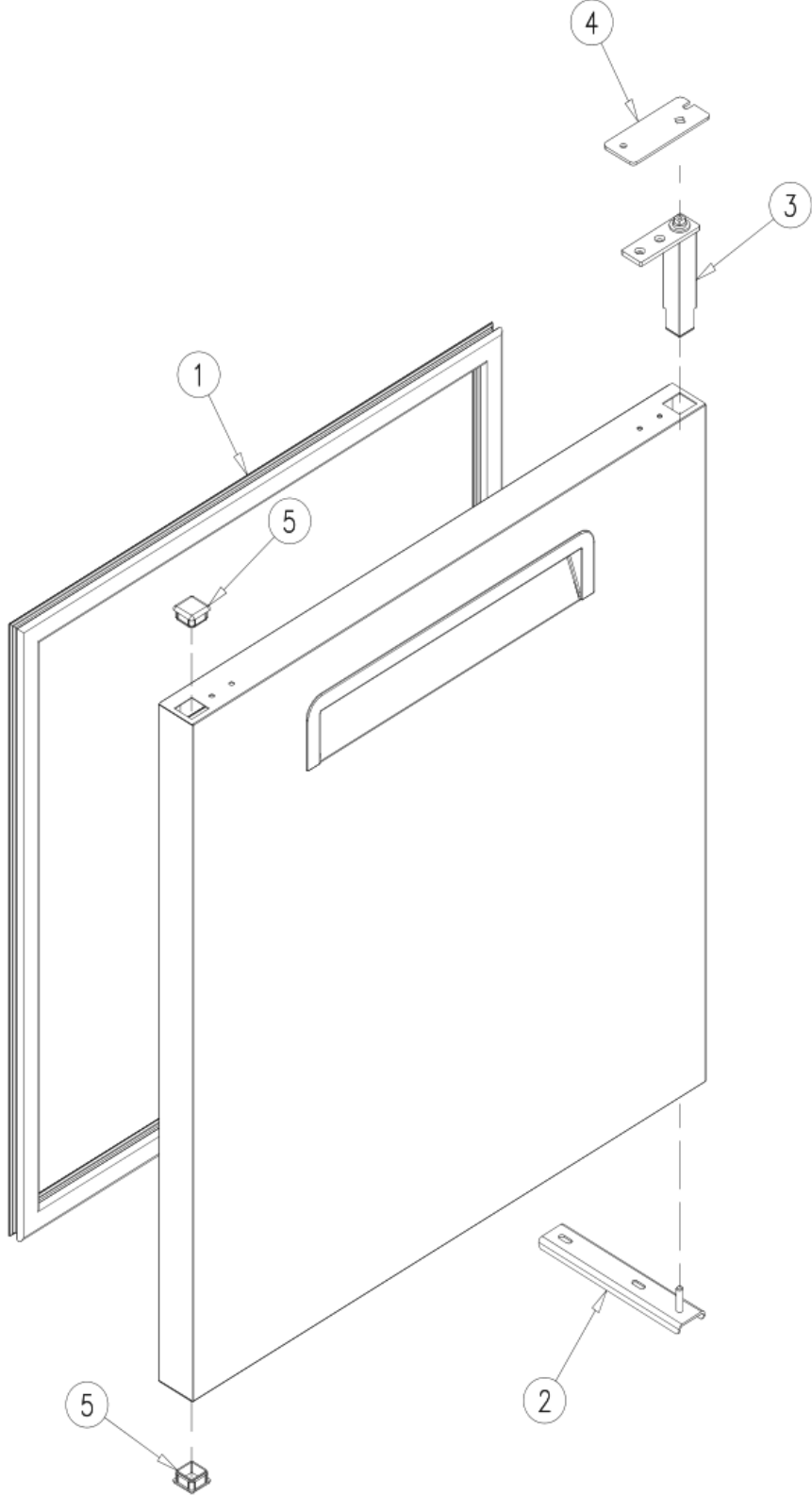
# CONDENSING UNIT ASSEMBLY

---

<i>Item No.</i>	<i>Description</i>	<i>Part No.</i>	<i>Quantity per cooler</i>
1	COMPRESSOR (1/5HP 115V/60HZ R-290)	EM2U3115U	1
2	EXTERNAL PROTECTOR (4TM319RFBYY-53)	EL-2087-R	1
3	PTC RELAY (8EA14C3)	EL-2086-R	1
4	RUN CAPACITOR (12 $\mu$ F 180V)	CAP-12-180	1
5	CONDENSER	CO-426-L	1
6	CONDENSER FAN MOTOR	FA-124-SW-0396	1
7	CONDENSER FAN BLADE	FA-17-EBM	1
8	CONDENSER FAN MOTOR BRACKET	FA-39	1
9	COMPRESSOR EVAPORATION TRAY	DP-6	1
10	DRIER	DR-31-2	1
11	POWER CORD (9 ft)	EL-1260-9	1

# DOOR ASSEMBLY

---



# DOOR ASSEMBLY

---

<i>Item No.</i>	<i>Description</i>	<i>Part No.</i>	<i>Quantity per cooler</i>
1	MAGNETIC GASKET	OT-GA-500-PTA-0257	1
2	LOWER HINGE ASSEMBLY	HA-613	1
3	TORSION MECHANISM	HA-612	1
4	TORSION MECHANISM CAP	OT-22263	1
5	DOOR PLUG	PL-191-G	2