

VALIANCE[®]

by



HOSHIZAKI

Parts List

VSR48A

TABLE OF CONTENTS

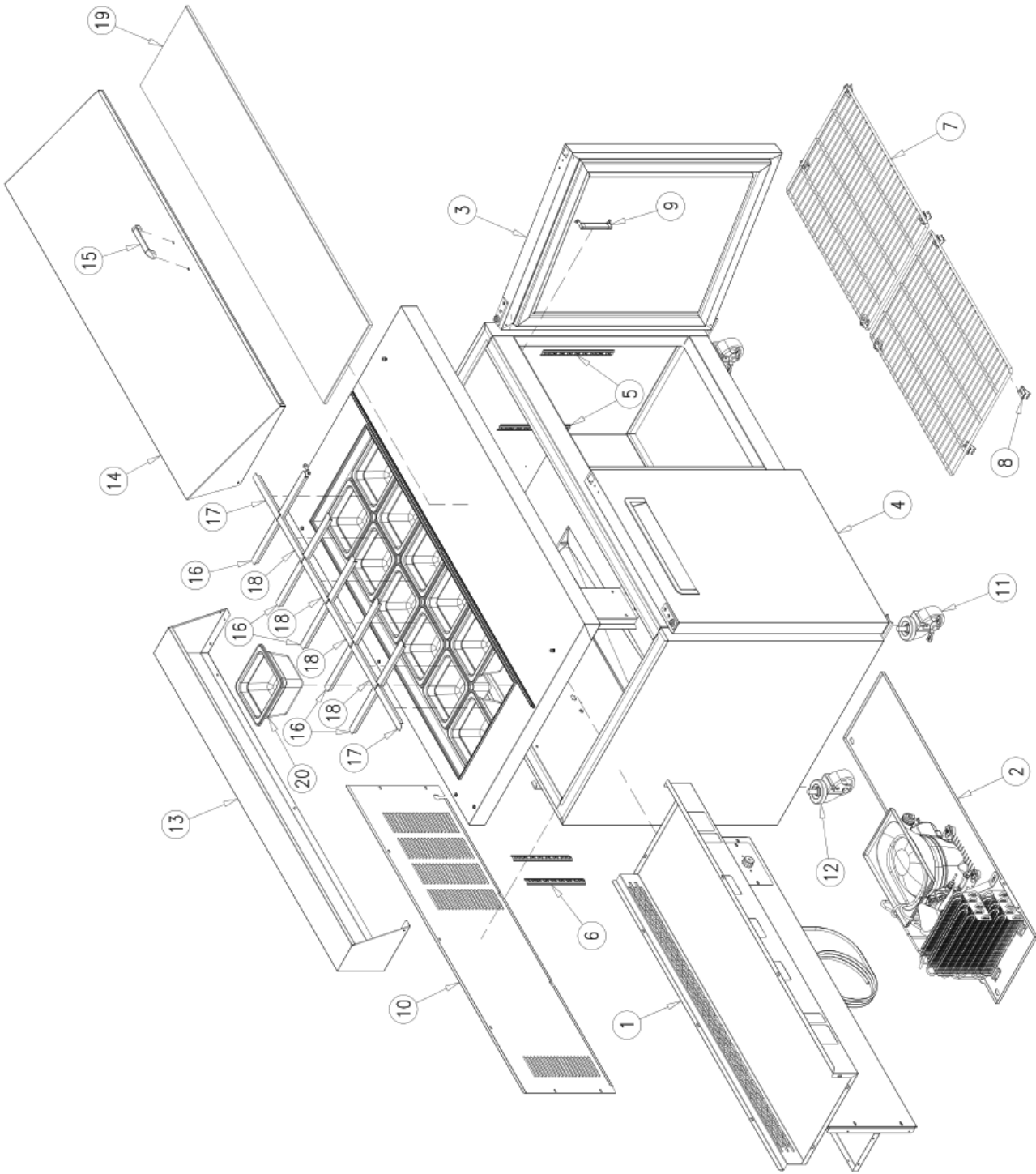
MAIN ASSEMBLY	3
EVAPORATOR ASSEMBLY	5
CONDENSING UNIT ASSEMBLY	7
DOOR ASSEMBLY	9

NOTE:

To order spare parts, always include the following information:

- *Model Number* _____
- *Serial Number* _____

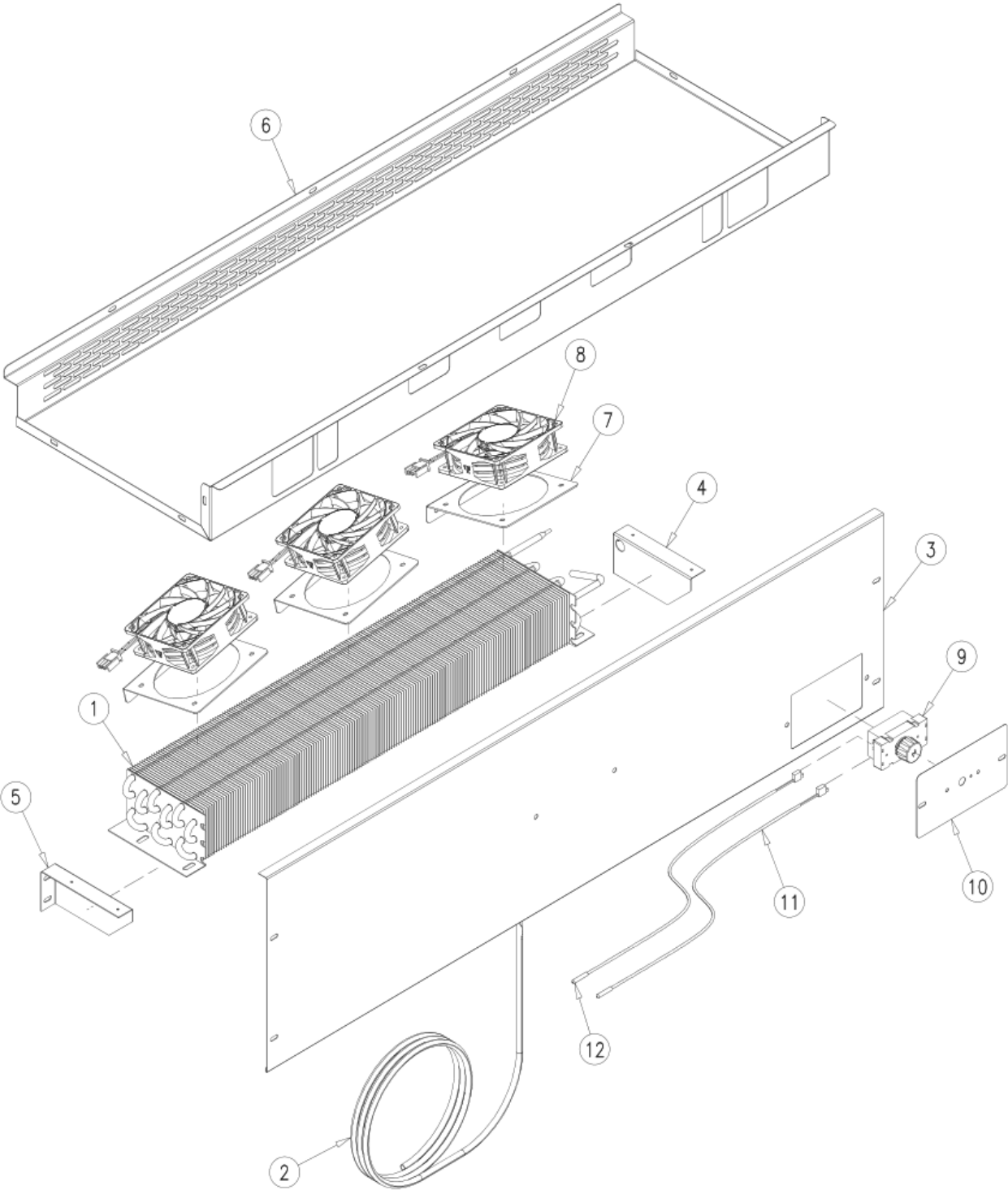
MAIN ASSEMBLY



MAIN ASSEMBLY

<i>Item No.</i>	<i>Description</i>	<i>Part No.</i>	<i>Quantity per cooler</i>
1	EVAPORATOR ASSEMBLY	See evaporator assembly	1
2	CONDENSING UNIT ASSEMBLY	OT-UN-0394	1
3	RIGHT DOOR ASSEMBLY	OT-PTA-0258-R-836	1
4	LEFT DOOR ASSEMBLY	OT-PTA-0258-L-836	1
5	PILASTER (233mm)	OT-PI-5-233	6
6	PILASTER (193mm)	OT-PI-5-193	2
7	FLAT SHELF	SH-0560-HD-GR	2
8	SHELF CLIPS	CL-51-SS-E	8
9	THERMOMETER	TH-1-E	1
10	BACK GRILL	OT-22356	1
11	FRONT LOCKING CASTER	CA-4-BR	2
12	BACK NON-LOCKING CASTER	CA-4	2
13	BACKSPLASH	OT-27558	1
14	BACKSPLASH COVER	OT-27478	1
15	HANDLE	HA-308-A	1
16	LONG TRAY SUPPORT	OT-27462	5
17	SIDE TRAY SUPPORT	OT-27464	2
18	CENTRAL TRAY SUPPORT	OT-27463	4
19	CUTTING BOARD	RP-0371	1
20	TRAY	PL-674	12

EVAPORATOR ASSEMBLY

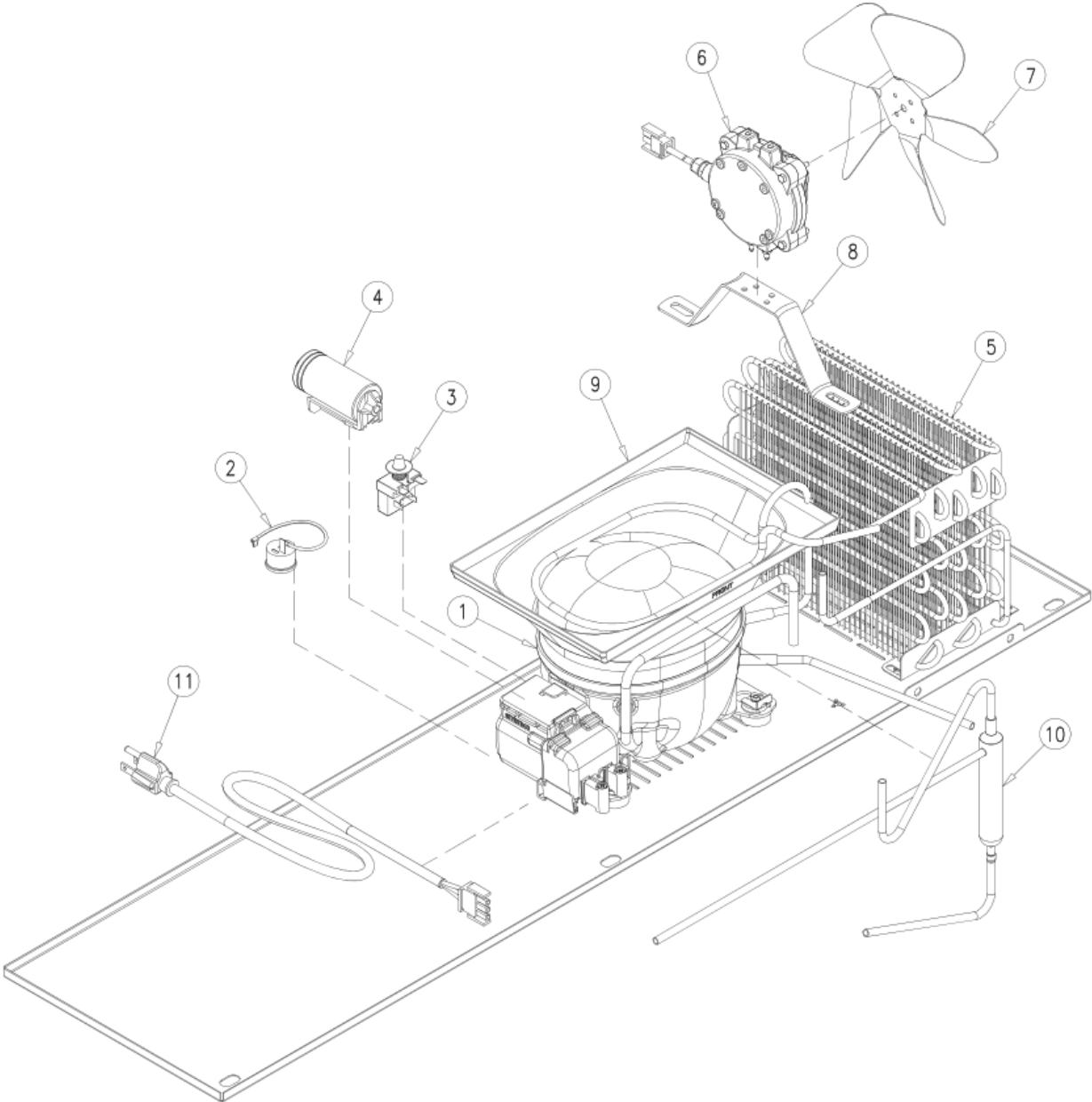


EVAPORATOR ASSEMBLY

<i>Item No.</i>	<i>Description</i>	<i>Part No.</i>	<i>Quantity per cooler</i>
1	EVAPORATOR	CO-477	1
2	HEAT EXCHANGER	TUB-1609	1
3	SHROUD	OT-26291	1
4	RIGHT EVAPORATOR SUPPORT	OT-27088	1
5	LEFT EVAPORATOR SUPPORT	OT-27087	1
6	BAFFLE TRAY	OT-27564	1
7	EVAPORATOR FAN MOTOR BRACKET	OT-26801	3
8	EVAPORATOR FAN MOTOR	FA-125-SW-0396	3
9	CONTROL MODULE	CT-198-CO-309-K*	1
10	CONTROL MODULE BRACKET	OT-25968	1
11	CABINET THERMISTOR	CT-180-3-CO	1
12	DEFROST THERMISTOR	CT-180-4-CO	1

* THE PART NUMBER CT-198-CO-309-K INCLUDES:
CONTROL MODULE CT-198-CO-309
CONTROL MODULE HARNESS [OT-AR-6973](#)
CABINET THERMISTOR [CT-180-3-CO](#)
DEFROST THERMISTOR [CT-180-4-CO](#)

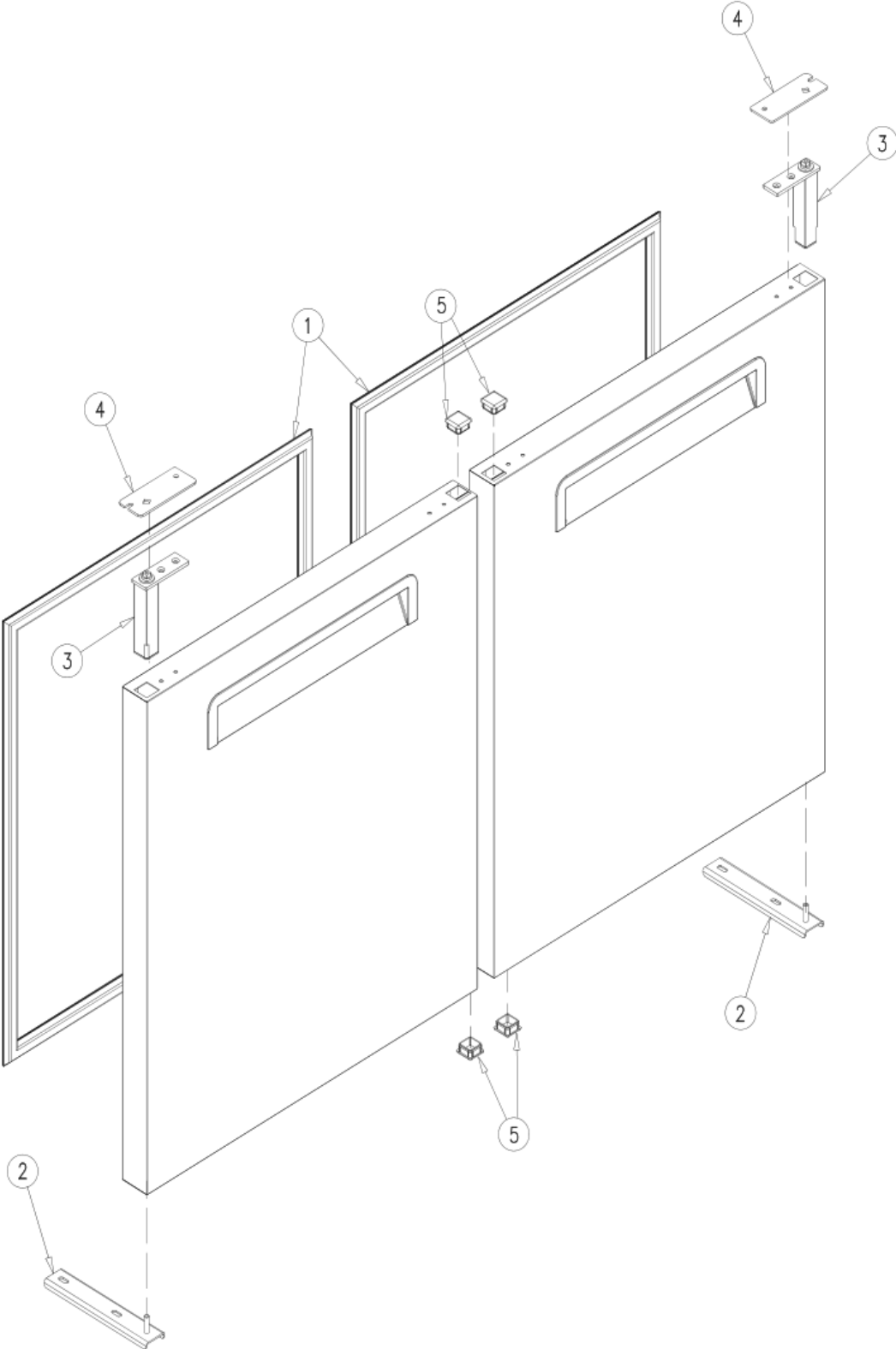
CONDENSING UNIT ASSEMBLY



CONDENSING UNIT ASSEMBLY

<i>Item No.</i>	<i>Description</i>	<i>Part No.</i>	<i>Quantity per cooler</i>
1	COMPRESSOR (1/4HP 115V/60HZ R-290)	EM2X3121U	1
2	EXTERNAL PROTECTOR (4TM727NFBYY-53)	EL-2080-R	1
3	PTC RELAY (7M4R7MD3)	EL-2079-R	1
4	RUN CAPACITOR (20 μ F 180V)	CAP-20-180	1
5	CONDENSER	CO-426-L	1
6	CONDENSER FAN MOTOR	FA-124-SW-0396	1
7	CONDENSER FAN BLADE	FA-17-EBM	1
8	CONDENSER FAN MOTOR BRACKET	FA-39	1
9	COMPRESSOR EVAPORATION TRAY	DP-6	1
10	DRIER	DR-31-2	1
11	POWER CORD (9 ft)	EL-1260-9	1

DOOR ASSEMBLY



DOOR ASSEMBLY

<i>Item No.</i>	<i>Description</i>	<i>Part No.</i>	<i>Quantity per cooler</i>
1	MAGNETIC GASKET	OT-GA-500-PTA-0258	2
2	LOWER HINGE ASSEMBLY	HA-613	2
3	TORSION MECHANISM	HA-612	2
4	TORSION MECHANISM CAP	OT-22263	2
5	DOOR PLUG	PL-191-G	4