

Title: A. Main Assembly Models: UR48, WR48, SR48, UF48, and WF48 Undercounter, Worktop, and Prep Table												
Index No.	Description	Material or Model Number	Part Number	Required Number								
				G-5 to J-8 (K)	J-8 (L) to L-5							
<b>Common Parts</b>												
1	Control Module	<b>UC/WT Refrigerator</b>	<a href="#">4A5959G02</a>	1	1							
		<b>UC/WT Freezers</b>	<a href="#">4A5959G04</a>	1	1							
		<b>Prep Tables</b>	<a href="#">4A5959G03</a>	1	1							
2	Cabinet Temperature Control (Spindle)	<b>UC/WT/Prep Tables</b>	<a href="#">4A5952-01</a>	1	1							
3	Adapter Plate	<b>UC/WT/Prep Tables</b>	<a href="#">4A5949-01</a>	1	1							
4	Dial Plate Label	<b>UC/WT/Prep Tables</b>	<a href="#">4A5960-01</a>	1	1							
5	Dial Knob	<b>UC/WT/Prep Tables</b>	<a href="#">4A5950-01</a>	1	1							
6	Center Back Pilasters	<b>All UC/WT/Prep Tables Except -D(x) Models</b>	<a href="#">4A5417-01</a>	2	2							
7	Sides and Front Pilaster	<b>UC/WT/Prep Tables</b>	<a href="#">4A5719-01</a>	6	6							
		<b>Door/Drawer</b>		4	4							
8	Shelf	<b>UC/WT/Prep Tables</b>	<a href="#">3A2830-08</a>	2	2							
		<b>Door/Drawer</b>		1	1							
9	Shelf Clip	<b>UC/WT/Prep Tables</b>	<a href="#">4A5418-01</a>	8	8							
		<b>Door/Drawer</b>		4	4							
10	Cabinet Thermometer		<a href="#">461083-01</a>	1	1							
11	Bumpers		<a href="#">3A6696-01</a>	2	2							
12	Condensate Pan	<b>UC/WT Freezers/ Prep Tables</b>	<a href="#">1A3373-01</a>	1	1							
13	Elbow Socket		<a href="#">4A5624-01</a>	1	1							
14	Hose		<a href="#">4A0658L01</a>	1	1							
15	Power Cord		<a href="#">4A5718-01</a>	1	1							
16	Rear Panel	<b>UC/WT Refrigerators</b>	<a href="#">1A2261-01</a>	1	1							
		<b>UC/WT Freezers/ Prep Tables</b>	<a href="#">1A5747-01</a>	1	1							
17	LED Driver	<b>-GLP01</b>	<a href="#">1A5501-01</a>	1	1							
18	LED Lamp		<a href="#">3A9348-01</a>	2	2							
19	LED Y Harness		<a href="#">4A6080-01</a>	1	1							
20	LED Clip		<a href="#">4A5906-01</a>	4	4							
21	LED Switch		<a href="#">4A6067-01</a>	1	1							
22	Channel		<a href="#">4A6064-01</a>	1	1							

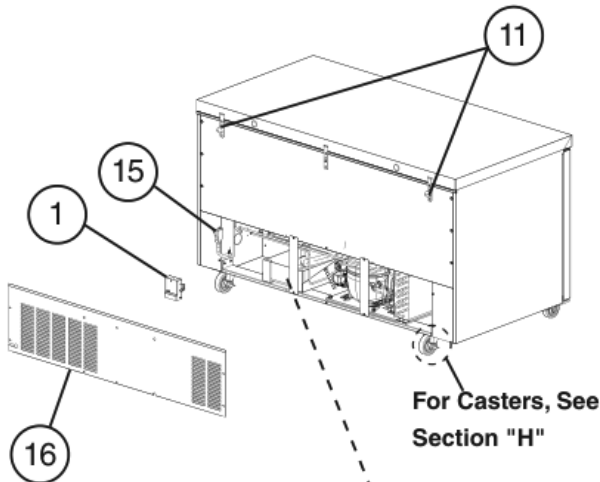
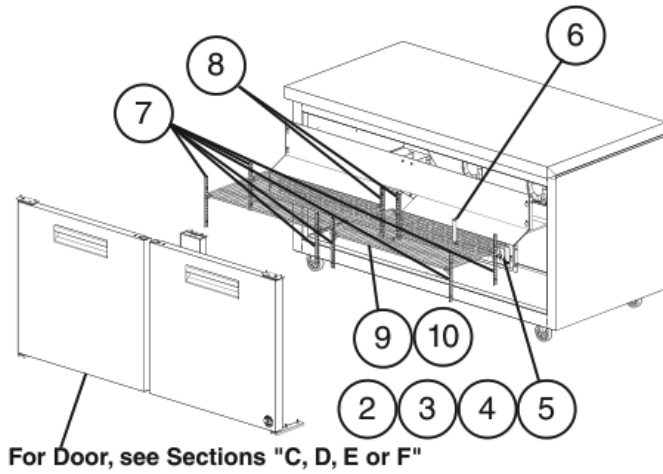
Title: A. Main Assembly Models: UR48, WR48, SR48, UF48, and WF48 Undercounter, Worktop, and Prep Table										
Index No.	Description	Material or Model Number	Part Number	Required Number						
				G-5 to J-8 (K)	J-8 (L) to L-5					
<b>Prep Table Specific Parts</b>										
23	Rail Cover Assembly (includes items 25 through 29a)	-8	3A9405A01	1	1					
		-12, -12D2, -12D4	3A9398A01	1	1					
		-12M	3A9402A01	1	1					
		-18M, -18MD2, -18MD4	3A9399A01	1	1					
24	Rail Hood	-8	3A9404A01	1	1					
		-12M	3A9403A01	1	1					
		-12, -12D2, -12D4	3A9394A01	1	1					
		-18M, -18MD2, -18MD4	3A9395A01	1	1					
25	Pivot Pin		4A6161-01	2	2					
26	Pivot Bolt		4A6160-01	2	2					
27	Flat Washer		7W22I0832	2	2					
28	Tree Clip		4A0579-01	2	2					
29	Handle		1A3416-01	1	1					
29a	Pan Head Screw		7C12I1412	2	2					
30	Right Cutting Board Bracket		3A8971-02	1	1					
31	Left Cutting Board Bracket		3A8971-01	1	1					
32	Center Cutting Board Bracket	-8, -12, -12D2, -12D4	4A5905-01	2	2					
		-12M, -18M, -18MD2, -18MD4	4A6794-01	4	3					
33	Rail Divider A (front-to-back)	-8 (HS-5188)	3A8904-01	1	1					
		-12, -12D2, -12D4 (HS-5188)		2	2					
		-12M (HS-5184)	3A8855-01	1	1					
		-18M, -18MD2, -18MD4 (HS-5184)		2	2					
34	Rail Divider B (side-to-side)	-8 (HS-5189)	3B0027-01	1	1					
		-12, -12D2, -12D4 (HS-5189)		2	2					
		-12M (HS-5185)	3B0027-03	4	4					
	(outer side-to-side)	-18M -18MD2, -18MD4 (HS-5185)		4	4					
35	Rail Divider C (center side-to-side)	-18M, -18MD2, -18MD4 (HS-5186)	3B0028-03	2	2					
36	Catch Tray	-8	1A4221-01	1	1					
		-12, -12D2, -12D4	1A4221-03	1	1					
	(includes items 37 through 39)	-12M	2A8666A01	1	1					
		-18M, -18MD2, -18MD4	2A8667A01	1	1					
37	Handle	12M	4A4518-01	1	1					
		-18M, -18MD2, -18MD4		2	2					
38	Pan Head Screw	-12M	7C12I0838	2	2					
		-18M, -18MD2, -18MD4		4	4					
39	Flat Washer	-8, -8D2	7W22-0400	2	2					
		-12M, -12MD2	7W22-0500	2	2					

# A. Main Assembly

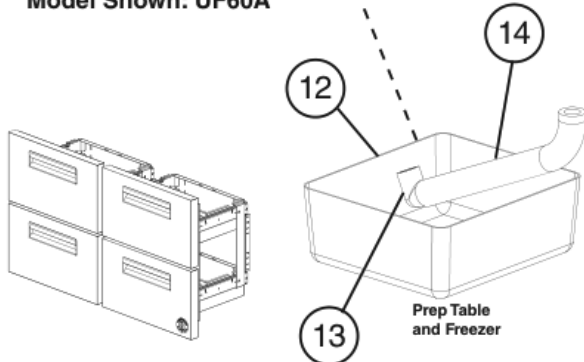
## UR60, WR60, SR60, UF60, and WF60 Undercounter, Worktop, and Prep Table

G-5 to L-5

### Undercounter, Worktop, Prep Table Common Parts



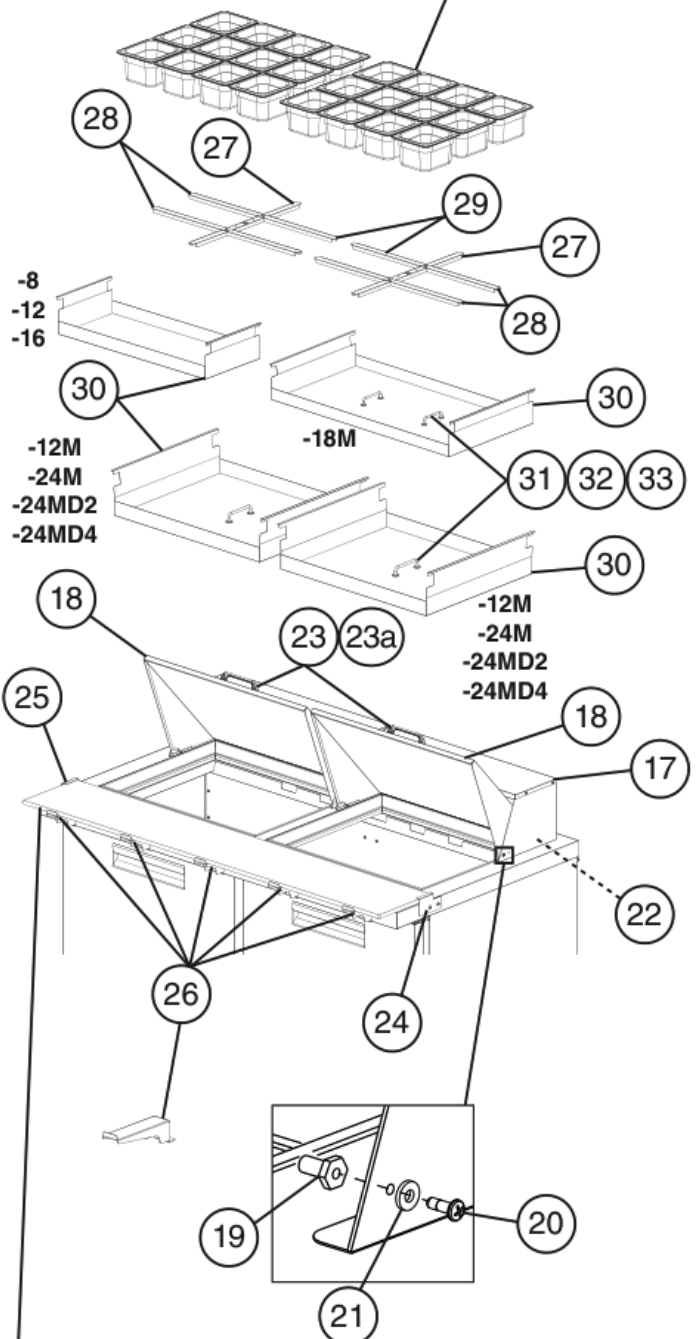
Model Shown: UF60A



For Drawers, see Section "G"

### Prep Table Specific Parts

For Pans, see Section "H"



Model Shown: SR60A-24M

For Cutting Board, see Section "H"

<b>Title: A. Main Assembly Models: UR60, WR60, SR60, UF60, and WF60 Undercounter, Worktop, and Prep Table</b>											
Index No.	Description	Material or Model Number	Part Number	Required Number							
				G-5 to J-9 (K)	J-9 (L) to L-5						
<b>Common Parts</b>											
1	Control Module	<b>UC/WT Refrigerators</b>	<a href="#">4A5959G02</a>	1	1						
		<b>UC/WT Freezers</b>	<a href="#">4A5959G04</a>	1	1						
		<b>Prep Tables</b>	<a href="#">4A5959G03</a>	1	1						
2	Cabinet Temperature Control (Spindle)	<b>UC/WT/Prep Tables</b>	<a href="#">4A5952-01</a>	1	1						
3	Adapter Plate		<a href="#">4A5949-01</a>	1	1						
4	Dial Plate	<b>UC/WT</b>	<a href="#">4A5960-01</a>	1	1						
5	Dial Knob	<b>UC/WT/Prep Tables</b>	<a href="#">4A5950-01</a>	1	1						
6	Cabinet Thermometer		<a href="#">461083-01</a>	1	1						
7	Side and Front Pilaster		<a href="#">4A5719-01</a>	6	6						
		<b>Door/Drawer</b>		4	4						
8	Rear Pilaster		<a href="#">4A5417-01</a>	2	2						
9	Shelf		<a href="#">3A2830-09</a>	2	2						
		<b>Door/Drawer</b>		1	1						
10	Shelf Clip		<a href="#">4A5418-01</a>	8	8						
		<b>Door/Drawer</b>		4	4						
11	Bumpers		<a href="#">3A6696-01</a>	2	2						
12	Condensate Pan	<b>UC/WT Freezers/ Prep Tables</b>	<a href="#">1A3373-01</a>	1	1						
13	Elbow Socket		<a href="#">4A5624-01</a>	1	1						
14	Hose		<a href="#">4A0658L01</a>	1	1						
15	Power Cord		<a href="#">4A5718-01</a>	1	1						
16	Rear Panel	<b>Refrigerators</b>	<a href="#">1A2542-01</a>	1	1						
		<b>UC/WT Freezers/ Prep Tables</b>	<a href="#">1A5751-01</a>	1	1						

Title: A. Main Assembly Models: UR60, WR60, SR60, UF60, and WF60 Undercounter, Worktop, and Prep Table										
Index No.	Description	Material or Model Number	Part Number	Required Number						
				G-5 to J-9 (K)	J-9 to L-5					
<b>Prep Table Specific Parts</b>										
17	Rail Hood	-8	3A9404A01	1	1					
		-12M	3A9403A01	1	1					
		-12	3A9394A01	1	1					
		-18M	3A9395A01	1	1					
		-16	3A9396A01	1	1					
		-24M, -24MD2, -24MD4	3A9403A01	2	2					
18	Rail Cover (includes items 19 through 23a)	-8	3A9405A01	1	1					
		-12	3A9398A01	1	1					
		-12M	3A9402A01	1	1					
		-16	3A9400A01	1	1					
		-18M	3A9399A01	1	1					
		-24M, -24MD2, -24MD4	3A9402A01	2	2					
19	Pivot Pin	-8, -12, -12M, -16, -18M	4A6161-01	2	2					
		-24M, -24MD2, -24MD4		4	4					
20	Pivot Bolt	-8, -12, -12M, -16, -18M	4A6160-01	2	2					
		-24M, -24MD2, -24MD4		4	4					
21	Flat Washer	-8, -12, -12M, -16, -18M	7W2210832	2	2					
		-24M, -24MD2, -24MD4		4	4					
22	Tree Clip	-8, -12, -12M, -16, -18M	4A0579-01	2	2					
		24M, -24MD2, -24MD4		3	3					
23	Handle	-8, -12, -12M, -16, -18M	1A3416-01	1	1					
		-24M, -24MD2, -24MD4		2	2					
23a	Pan Head Screw	-8, -12, -12M, -16, -18M	7C1211412	2	2					
		-24M, -24MD2, -24MD4		4	4					
24	Right Cutting Board Bracket	-8, -12, -16, -12M, -18M, -24M, -24MD2, -24MD4	3A8971-02	1	1					
25	Left Cutting Board Bracket	-8, -12, -16, -12M, -18M, -24M, -24MD2, -24MD4	3A8971-01	1	1					
26	Center Cutting Board Bracket	-8, -12, -16	4A5905-01	3	3					
		-12M, -18M, -24M, -24MD2, -24MD4	4A6794-01	5	3					

Title: A. Main Assembly Models: UR60, WR60, SR60, UF60, and WF60 Undercounter, Worktop, and Prep Table											
Index No.	Description	Material or Model Number	Part Number	Required Number							
				G-5 to J-9 (K)	J-9 (L) to L-5						
27	Rail Divider (front-to-back)	-8 (HS-5188)	3A8904-01	1	1						
		-12 (HS-5188)		2	2						
		-16 (HS-5188)		3	3						
		-12M (HS-5184)	3A8855-01	1	1						
		-18M, -24M, -24MD2, -24MD4 (HS-5184)		2	2						
28	Rail Divider (side-to-side)	-8 (HS-5189)	3B0027-01	2	2						
	(outer side-to-side)	-12 (HS-5189)		2	2						
		-16 (HS-5189)		2	2						
	(side-to-side)	-12M (HS-5185)	3B0027-03	4	4						
	(outer side-to-side)	-18M (HS-5185)		4	4						
	(side-to-side)	-24M, -24MD2, -24MD4 (HS-5185)		8	8						
29	Rail Divider C (center side to side)	-12 (HS-5190)	3B0028-01	1	1						
		-16 (HS-5190)		2	2						
		-18M (HS-5186)	3B0028-03	2	2						
30	Catch Tray	-8	1A4221-01	1	1						
		-12	1A4221-03	1	1						
		-16	1A4221-01	2	2						
	(includes items 31 through 33)	-12M, -24M, -24MD2, -24MD4	2A8666A01	2	2						
		-18M	2A8667A01	1	1						
31	Handle		4A4518-01	2	2						
32	Pan Head Screw		7C12I0838	4	4						
33	Flat Washer		7W22-0500	4	4						

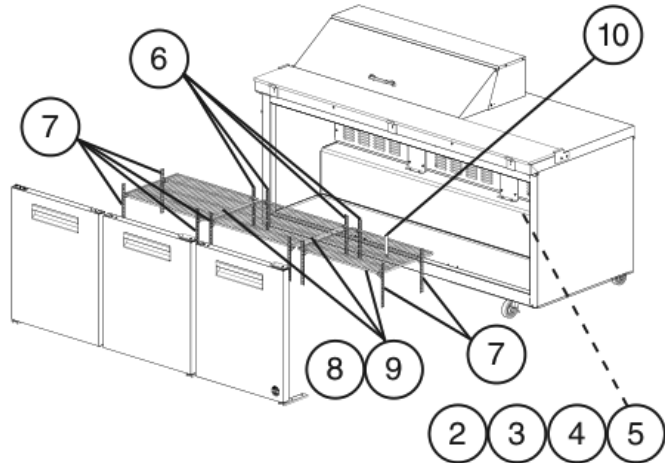
# A. Main Assembly

## UR72, WR72, and SR72 Undercounter, Worktop, and Prep Table

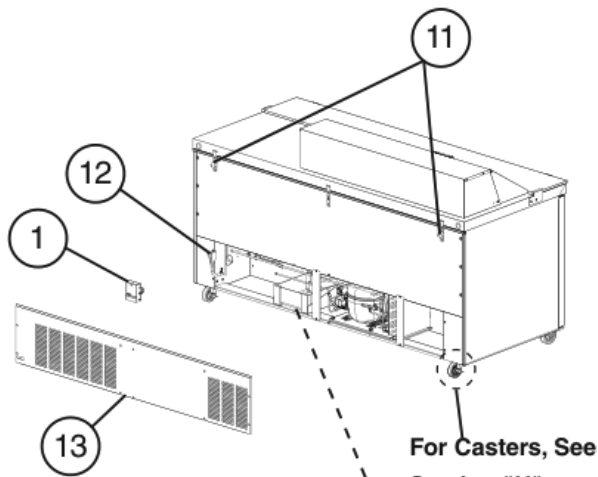
G-5 to L-5

### Undercounter, Worktop, Prep Table

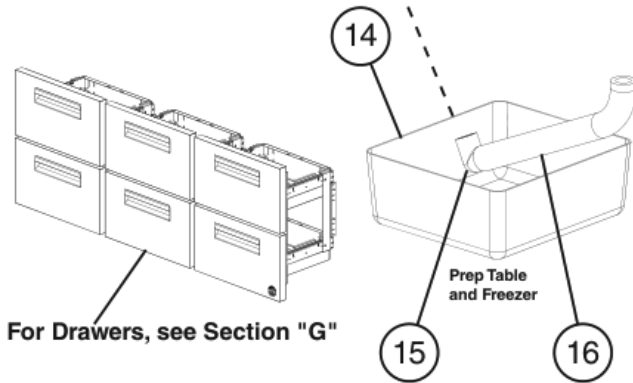
#### Common Parts



For Door, see Sections "C, D, E or F"



For Casters, See Section "H"



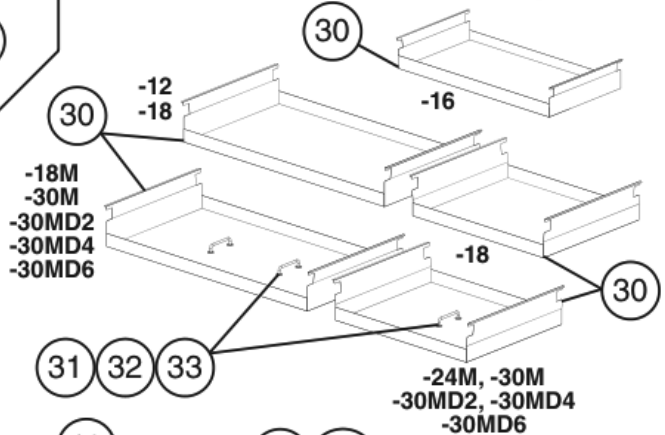
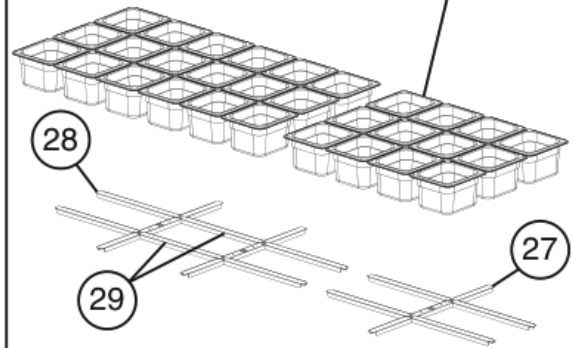
For Drawers, see Section "G"

Condensate Pan for SR72A Series

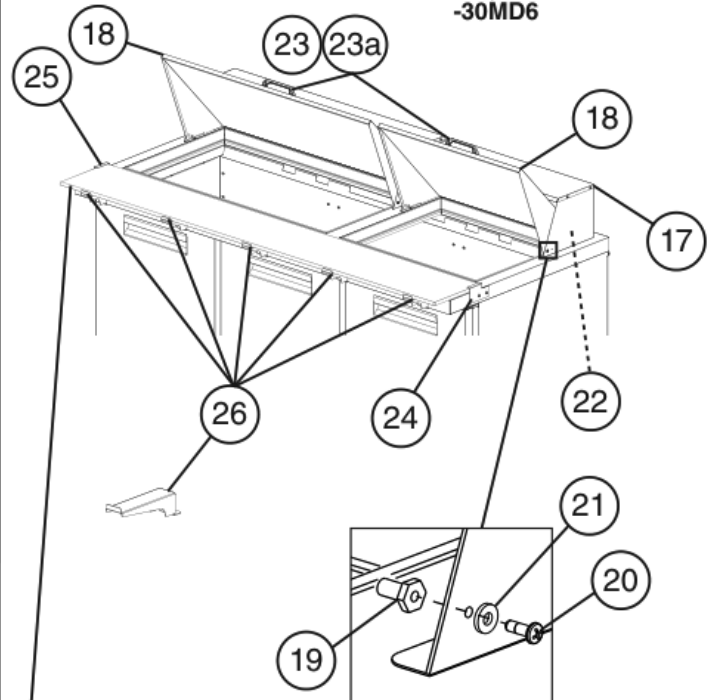
### Prep Table

#### Specific Parts

For Pans, see Section "H"



-24M, -30M  
-30MD2, -30MD4  
-30MD6



For Cutting Board, see Section "H"

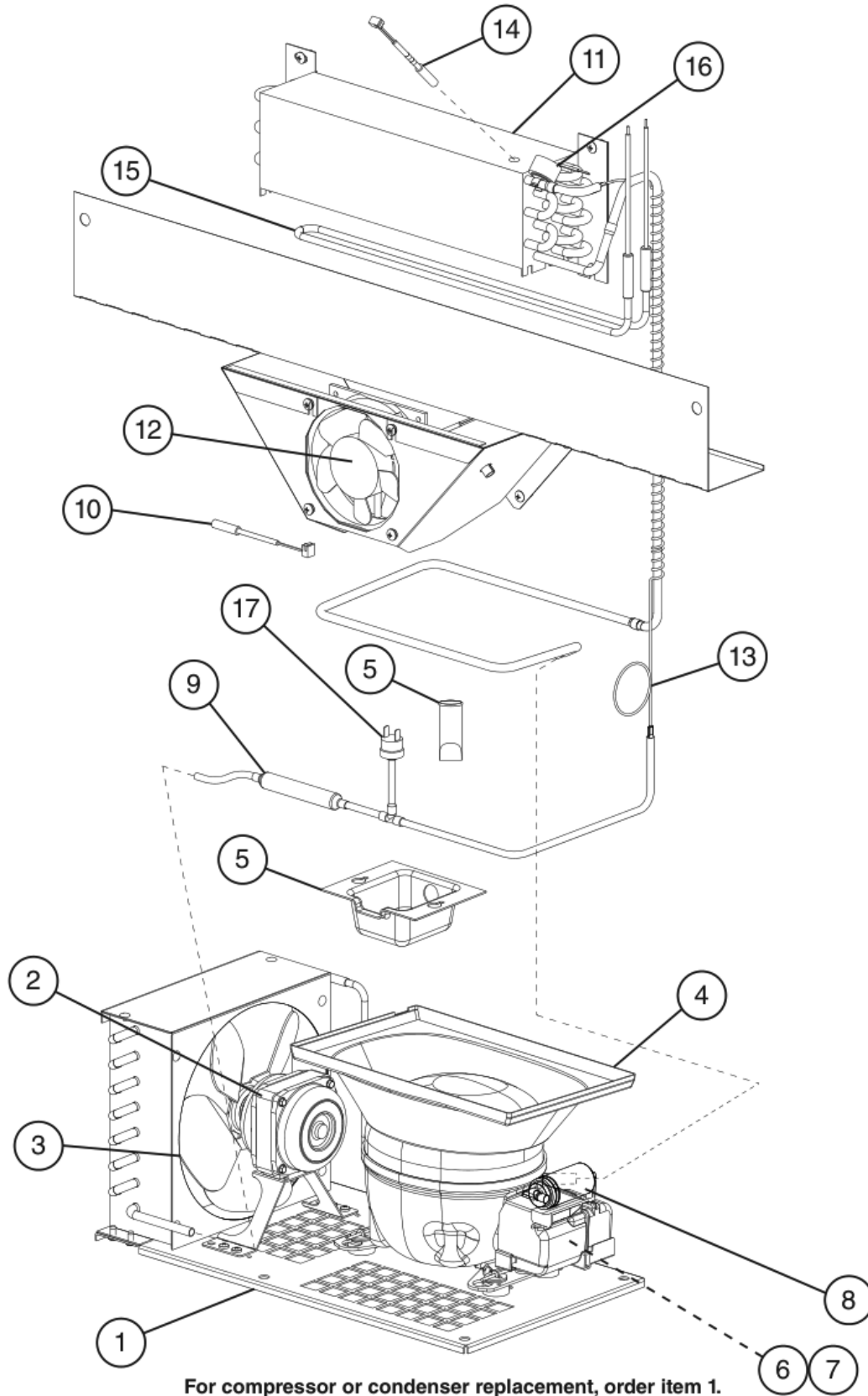
Model Shown: SR72A-30M

Title: A. Main Assembly Models: UR72, WR72, and SR72 Undercounter, Worktop, and Prep Table										
Index No.	Description	Material or Model Number	Part Number	Required Number						
				G-5 to J-9 (K)	J-9 to L-5					
<b>Common Parts</b>										
1	Control Module	UC/WT	4A5959G02	1	1					
		Prep Table	4A5959G03	1	1					
2	Cabinet Temperature Control (Spindle)	UC/WT/Prep Table	4A5952-01	1	1					
3	Adapter Plate	UC/WT/Prep Table	4A5949-01	1	1					
4	Dial Plate		4A5960-01	1	1					
5	Dial Knob	UC/WT/Prep Table	4A5950-01	1	1					
6	Rear Pilaster		4A5417-01	4	4					
		-30MD2		2	2					
7	Side and Front Pilaster		4A5719-01	8	8					
		-30MD2		6	6					
		-30MD4		4	4					
8	Shelf		3A2830-07	3	3					
		-30MD2		2	2					
		-30MD4	3A2830-08	1	1					
9	Shelf Clip		4A5418-01	12	12					
		-30MD2		8	8					
		-30MD4		4	4					
10	Cabinet Thermometer		461083-01	1	1					
11	Bumpers		3A6696-01	2	2					
12	Power Cord		4A5718-01	1	1					
13	Rear Panel	UC/WT	1A2525-01	1	1					
		Prep Tables	1A2668-01	1	1					
14	Condensate Pan	UC/WT	3A9478-01	1	1					
		Prep Table	1A3373-01	1	1					
15	Elbow Socket		4A5624-01	1	1					
16	Hose		4A0658L01	1	1					

Title: A. Main Assembly Models: UR72, WR72, and SR72 Undercounter, Worktop, and Prep Table										
Index No.	Description	Material or Model Number	Part Number	Required Number						
				G-5 to J-9 (K)	J-9 to L-5					
<b>Prep Table Specific Parts</b>										
17	Rail Hood	-12	3A9394A01	1	1					
		-18M	3A9395A01	1	1					
		-16	3A9396A01	1	1					
		-18	3A9397A01	1	1					
		-24M	3A9403A01	2	2					
		-30M, -30MD2, -30MD4, -30MD6 (Right)	3A9403A01	1	1					
		-30M, -30MD2, -30MD4, -30MD6 (Left)	3A9395A01	1	1					
18	Rail Cover (includes items 19 through 23a)	-12	3A9398A01	1	1					
		-16	3A9400A01	1	1					
		-18	3A9401A01	1	1					
		-18M	3A9399A01	1	1					
		-24M	3A9402A01	2	2					
		-30M, -30MD2, -30MD4, -30MD6 (Right)	3A9402A01	1	1					
		-30M, -30MD2, -30MD4, -30MD6 (Left)	3A9399A01	1	1					
19	Pivot Pin	-12, -16, -18, -18M	4A6161-01	2	2					
		-24M, -30M, -30MD2, -30MD4, -30MD6		4	4					
20	Pivot Bolt	-12, -16, -18, -18M	4A6160-01	2	2					
		-24M, -30M, -30MD2, -30MD4, -30MD6		4	4					
21	Flat Washer	-12, -16, -18, -18M	7W22I0832	2	2					
		-24M, -30M, -30MD2, -30MD4, -30MD6		4	4					
22	Tree Clip	-12, -16, -18, -18M	4A0579-01	2	2					
		-24M, -30M, -30MD2, -30MD4, -30MD6		4	4					
23	Handle	-12, -16, -18, -18M	1A3416-01	1	1					
		-24M, -30M, -30MD2, -30MD4, -30MD6		2	2					
23a	Pan Head Screws	-12, -16, -18, -18M	7C12I1412	2	2					
		-24M, -30M, -30MD2, -30MD4, -30MD6		4	4					
24	Right Cutting Board Bracket		3A8971-02	1	1					
25	Left Cutting Board Bracket		3A8971-01	1	1					

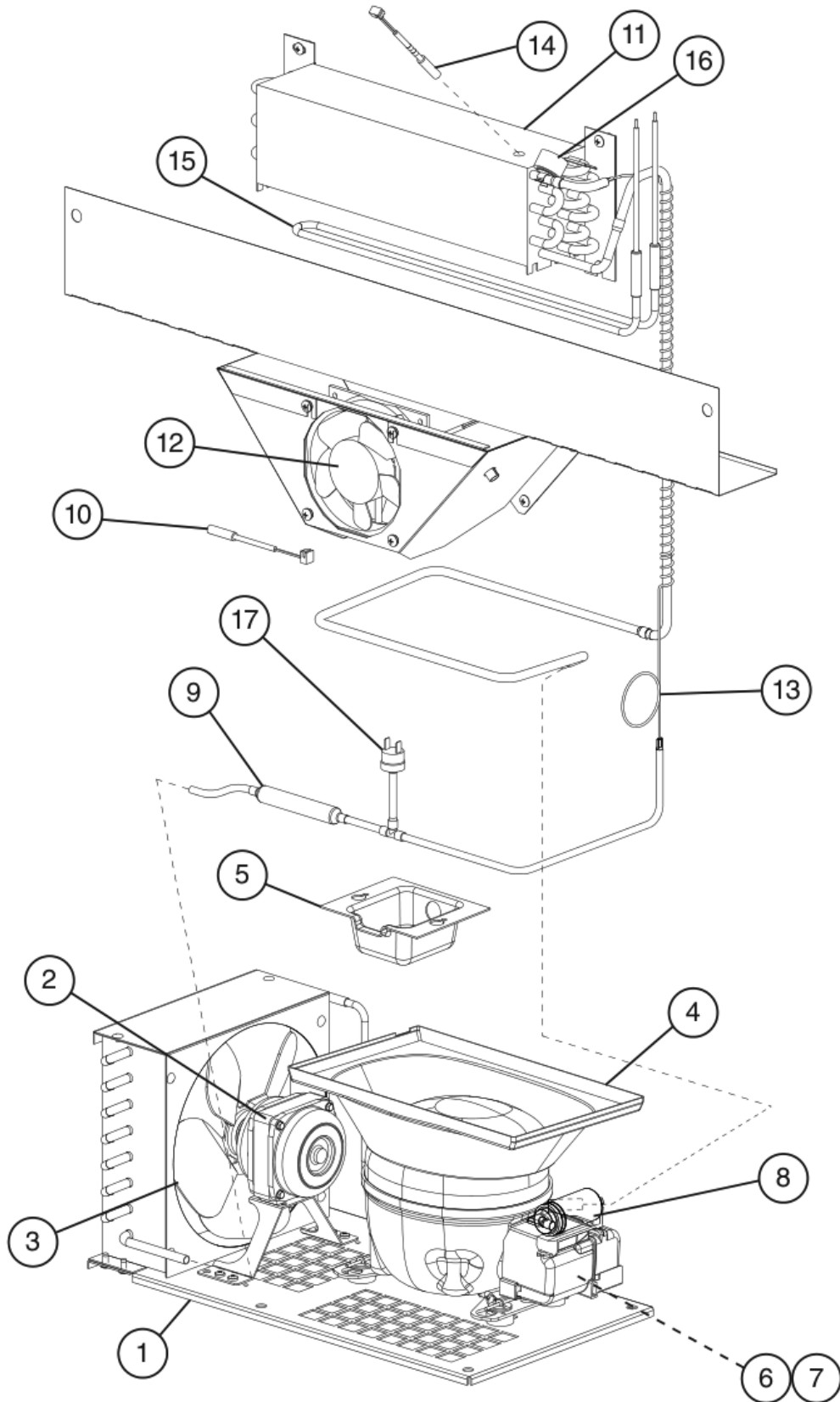
Title: A. Main Assembly Models: UR72, WR72, and SR72 Undercounter, Worktop, and Prep Table										
Index No.	Description	Material or Model Number	Part Number	Required Number						
				G-5 to J-9 (K)	J-9 to L-5					
26	Center Cutting Board Bracket	-12, -16, -18	4A5905-01	3	3					
		-18M, -24M, -30M, -30MD2, -30MD4, -30MD6	4A6794-01	5	4					
27	Rail Divider (front-to-back)	-12, -18 (HS-5188)	3A8904-01	2	2					
		-16 (HS-5188)		3	3					
		-18M, -24M (HS-5184)	3A8855-01	2	2					
		-30M, -30MD2, -30MD4, -30MD6 (HS-5184)		3	3					
28	Rail Divider (side-to-side)	-12 (HS-5189)	3B0027-01	2	2					
	(outer side to side)	-16 (HS-5189)		2	2					
		-18 (HS-5191)	3B0027-02	2	2					
	(outer side to side)	-18M (HS-5185)	3B0027-03	4	4					
	(side-to-side)	-24M (HS-5185)		8	8					
	(outer side to side)	-30M, -30MD2, -30MD4, -30MD6 (HS-5185)		8	8					
29	Rail Divider C (center side-to-side)	-12 (HS-5190)	3B0028-01	1	1					
		-16 (HS-5190)		2	2					
		-18 (HS-5192)	3B0028-02	1	1					
		-18M, -30M, -30MD2, -30MD4, -30MD6 (HS-5186)	3B0028-03	2	2					
30	Catch Tray	-12	1A4221-03	1	1					
		-16	1A4221-01	2	2					
		-18	1A4221-02	1	1					
			1A4221-03	1	1					
		-18M	2A8667A01	1	1					
		-24M	2A8666A01	2	2					
		-30M, -30MD2, -30MD4, -30MD6	2A8666A01	1	1					
			2A8667A01	1	1					
31	Handle	2A8666A01	4A4518-01	1	1					
		2A8667A01		2	2					
32	Pan Head Screw	2A8666A01	7C12I0838	2	2					
		2A8667A01		4	4					
33	Flat Washer	2A8666A01	7W22-0500	2	2					
		2A8667A01		4	4					

**B. Refrigeration Circuit**  
**UR27, WR27, and SR27 Undercounter, Worktop, and Prep Table**  
 G-5 to L-5



Title: B. Refrigeration Circuit Models: UR27, WR27, and SR27 Undercounter, Worktop, Prep Table										
Index No.	Description	Material or Model Number	Part Number	Required Number						
				G-5 to H-5	H-6 to L-5					
1	Condensing Unit (includes compressor, condenser, and items 2 through 8; compressor and condenser are not sold individually)	UC/WT	3A9520-01	1	1					
		Prep Table	3A9316-01	1	1					
2	Condenser Fan Motor		3A6798-01	1	1					
3	Condenser Fan Blade		3A6799-01	1	1					
4	Condensate Pan	UC/WT	3A6758-01	1	1					
		Prep Table	3A9478-01	1	1					
5	Drain Cup	UC/WT	3A9702-01	1	1					
	Duct Bill	Prep Tables	SP-5345	1	-					
	Drain Cup		3A9702-01		1					
6	Compressor External Protector	UC/WT	3A9522-01	1	1					
		Prep Table	3A9475-01	1	1					
7	Start Relay	UC/WT	3A9523-01	1	1					
		Prep Table	3A9476-01	1	1					
8	Start Capacitor	UC/WT 145-175MFD, 250VAC	3A9524-01	1	1					
	Run Capacitor	Prep Table 12MFD, 250VAC	3A9477-01	1	1					
9	Drier		4A5576-01	1	1					
10	Cabinet Thermistor	UC/WT/Prep Tables	4A4864-01	1	1					
11	Evaporator		2A8513-01	1	1					
12	Evaporator Fan Motor		4A5343-01	1	1					
13	Capillary Tube Replacement Kit	L=2438mm	SP-5437	1	1					
14	Defrost Thermistor	Prep Table	4A4865-01	1	1					
15	Defrost Heater	Prep Table	3A6443-05	1	1					
16	Defrost Safety Thermostat	Prep Table	4A5853-01	1	1					
17	High-Pressure Switch		4A6039-01	1	1					

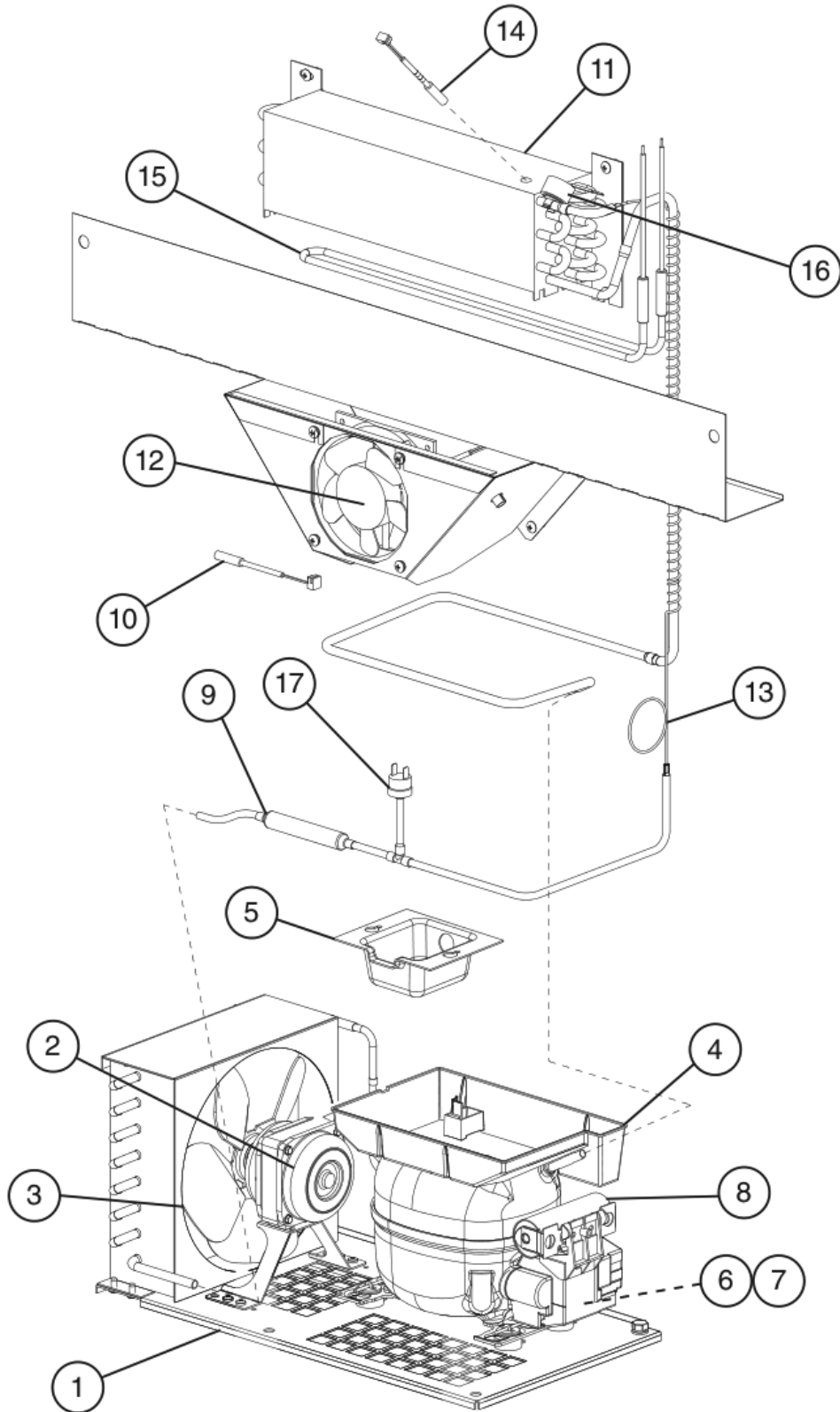
**B. Refrigeration Circuit**  
**UF27 and WF27 Undercounter and Worktop**  
G-5 to L-5



For compressor or condenser replacement, order item 1.

Title: B. Refrigeration Circuit    Models: UF27 and WF27 Undercounter and Worktop											
Index No.	Description	Material or Model Number	Part Number	G-5 to L-5	Required Number						
1	Condensing Unit (includes compressor, condenser, and items 2 through 7; compressor and condenser are not sold individually)		3A9316-01	1							
2	Condenser Fan Motor		3A6798-01	1							
3	Condenser Fan Blade		3A6799-01	1							
4	Condensate Pan		3A9478-01	1							
5	Drain Cup		3A9702-01	1							
6	Compressor External Protector		3A9475-01	1							
7	Start Relay		3A9476-01	1							
8	Run Capacitor	UC/WT 12MFD, 250VAC	3A9477-01								
9	Drier		4A5576-01	1							
10	Cabinet Thermistor		4A4864-01	1							
11	Evaporator		2A8513-01	1							
12	Evaporator Fan Motor		4A5343-01	1							
13	Capillary Tube Replacement Kit	L=1499mm	SP-5436	1							
14	Defrost Thermistor		4A4865-01	1							
15	Defrost Heater		3A6443-05	1							
16	Defrost Safety Thermostat		4A0954-02	1							
17	High-Pressure Switch		4A6039-01	1							

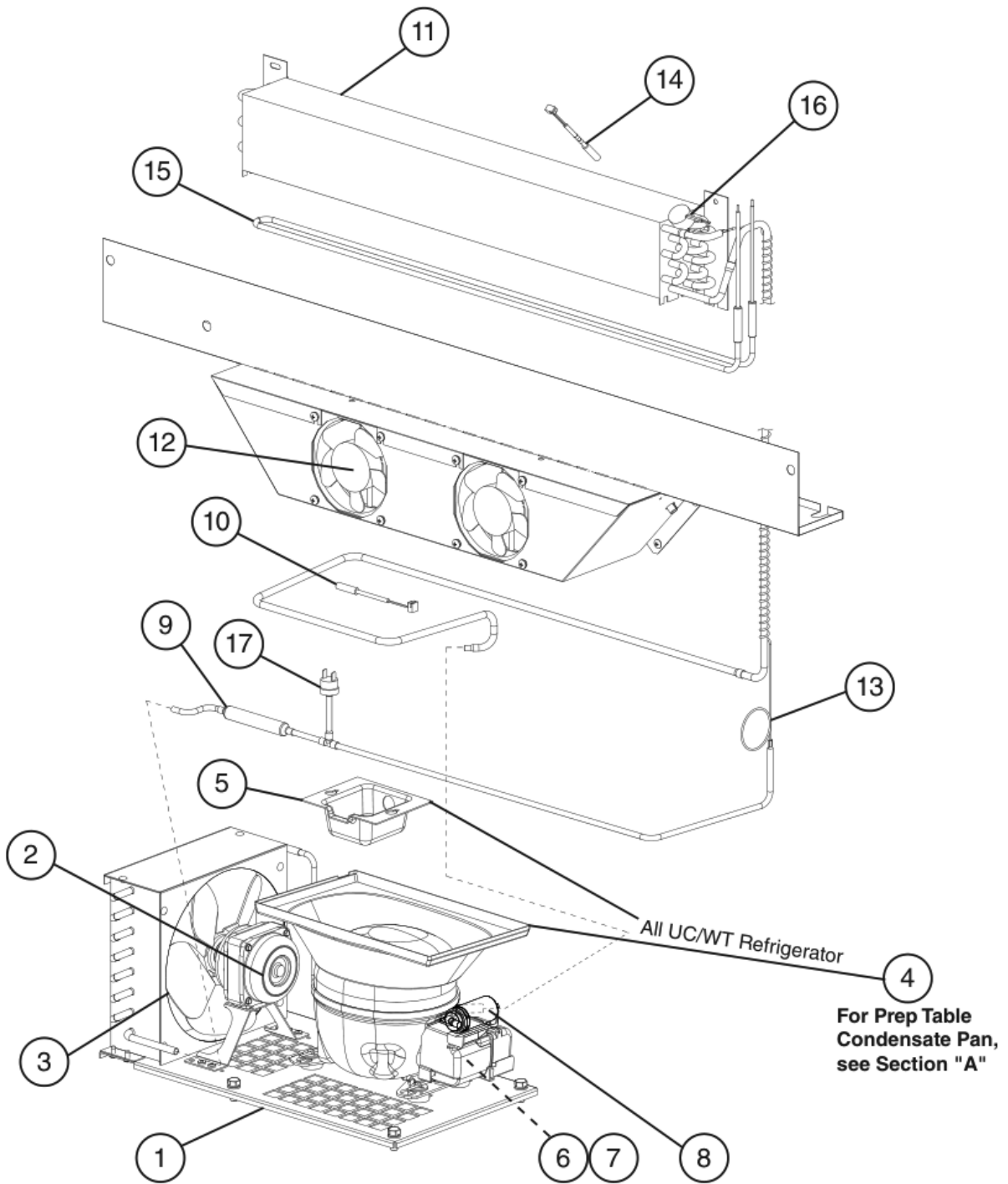
**B. Refrigeration Circuit**  
**UR36, WR36, and SR36 Undercounter, Worktop, and Prep Table**  
G-5 to L-5



For compressor or condenser replacement, order item 1.

Title: B. Refrigeration Circuit Models: UR36, WR36, SR36 Undercounter, Worktop, Prep Table												
Index No.	Description	Material or Model Number	Part Number	G-5 to L-5	Required Number							
1	Condensing Unit (includes compressor, condenser, and items 2 through 8; compressor and condenser are not sold individually)	<b>UC/WT/Prep Table</b>	<a href="#">3A9520-01</a>	1								
2	Condenser Fan Motor		<a href="#">3A6798-01</a>	1								
3	Condenser Fan Blade		<a href="#">3A6799-01</a>	1								
4	Condensate Pan		<a href="#">3A6758-01</a>	1								
5	Drain Cup		<a href="#">3A9702-01</a>	1								
6	Compressor External Protector		<a href="#">3A9522-01</a>	1								
7	Start Relay		<a href="#">3A9523-01</a>	1								
8	Start Capacitor	145-175MFD, 250VAC	<a href="#">3A9524-01</a>	1								
9	Drier		<a href="#">4A5576-01</a>	1								
10	Cabinet Thermistor		<a href="#">4A4864-01</a>	1								
11	Evaporator		<a href="#">2A8513-01</a>	1								
12	Evaporator Fan Motor		<a href="#">4A5343-01</a>	1								
13	Capillary Tube (includes: capillary tube, drier, cover, insulation)	L=2438mm	<a href="#">SP-5438</a>	1								
14	Defrost Thermistor	<b>Prep Table</b>	<a href="#">4A4865-01</a>	1								
15	Defrost Heater	<b>Prep Table</b>	<a href="#">3A6443-05</a>	1								
16	Defrost Safety Thermostat (thermodisc)	<b>Prep Table</b>	<a href="#">4A5853-01</a>	1								
17	High-Pressure Switch		<a href="#">4A6039-01</a>	1								

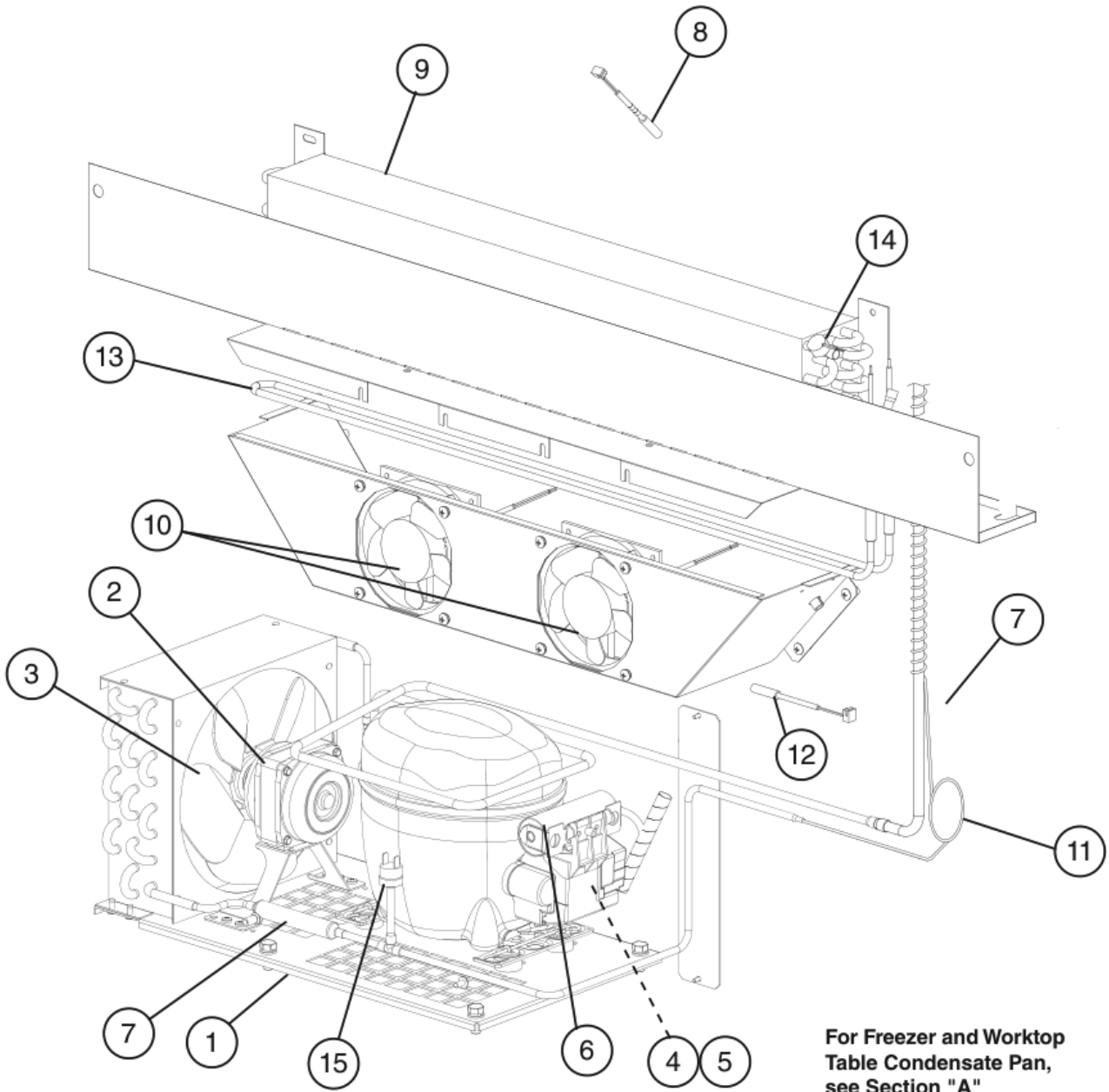
**B. Refrigeration Circuit**  
**UR48, WR48, and SR48 Undercounter, Worktop, and Prep Table**  
 G-5 to L-5



For compressor or condenser replacement, order item 1.

Title: B. Refrigeration Circuit Models: UR48, WR48, and SR48 Undercounter, Worktop, and Prep Table											
Index No.	Description	Material or Model Number	Part Number	G-5 to L-5	Required Number						
1	Condensing Unit (includes compressor, condenser, and items 2 through 8; compressor and condenser are not sold individually)	UC/WT	3A9520-01	1							
		Prep Table	3A9316-01	1							
2	Condenser Fan Motor		3A6798-01	1							
3	Condenser Fan Blade		3A6799-01	1							
4	Condensate Pan	UC/WT	3A6758-01	1							
5	Drain Cup	Refrigerators	3A9702-01	1							
6	Compressor External Protector	UC/WT	3A9522-01	1							
		Prep Table	3A9475-01	1							
7	Start Relay	UC/WT	3A9523-01	1							
		Prep Table	3A9476-01	1							
8	Start Capacitor	UC/WT 145-175MFD, 250VAC	3A9524-01	1							
	Run Capacitor	Prep Table 12MFD, 250VAC	3A9477-01	1							
9	Drier		4A5576-01	1							
10	Cabinet Thermistor		4A4864-01	1							
11	Evaporator		2A8513-02	1							
12	Evaporator Fan Motor		4A5343-01	2							
13	Capillary Tube Replacement Kit	UC/WT L=2684mm	SP-5437	1							
		Prep Table L=3584mm	SP-5438	1							
14	Defrost Thermistor	Prep Table	4A4865-01	1							
15	Defrost Heater	Prep Table	3A6443-04	1							
16	Defrost Safety Thermostat	Prep Table	4A5853-01	1							
17	High-Pressure Switch		4A6039-01	1							

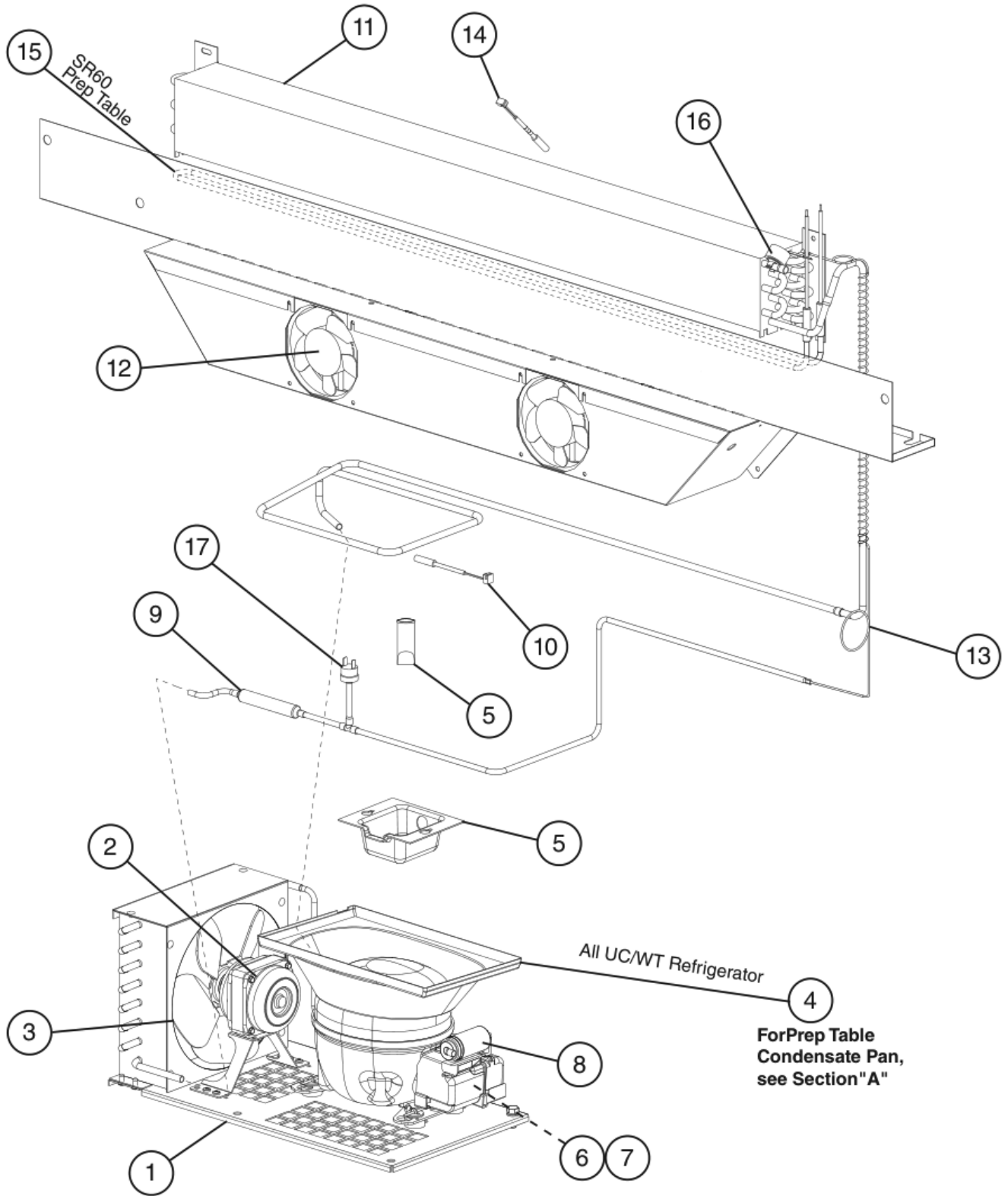
**B. Refrigeration Circuit**  
**UF48 and WF48 Undercounter and Worktop**  
 G-5 to L-5



For compressor or condenser replacement, order item 1.

Title: B. Refrigeration Circuit    Models: UF48 and WF48 Undercounter and Worktop											
Index No.	Description	Material or Model Number	Part Number	G-5 to L-5	Required Number						
1	Condensing Unit (includes compressor, condenser, and items 2 through 6; compressor and condenser are not sold individually)		3A9313-01	1							
2	Condenser Fan Motor		3A6798-01	1							
3	Condenser Fan Blade		3A6799-01	1							
4	Compressor External Protector		3A6936-01	1							
5	Start Relay		3A6937-01	1							
6	Start Capacitor	378-454MFD, 115VAC	3A6938-01	1							
7	Drier		4A5576-01	1							
8	Cabinet Thermistor		4A4864-01	1							
9	Evaporator		2A8513-02	1							
10	Evaporator Fan Motor		4A5343-01	2							
11	Capillary Tube Replacement Kit	L=1829mm	SP-5435	1							
12	Defrost Thermistor		4A4865-01	1							
13	Defrost Heater		3A6443-04	1							
14	Defrost Safety Thermostat		4A5853-01	1							
15	High-Pressure Switch		4A6039-01	1							

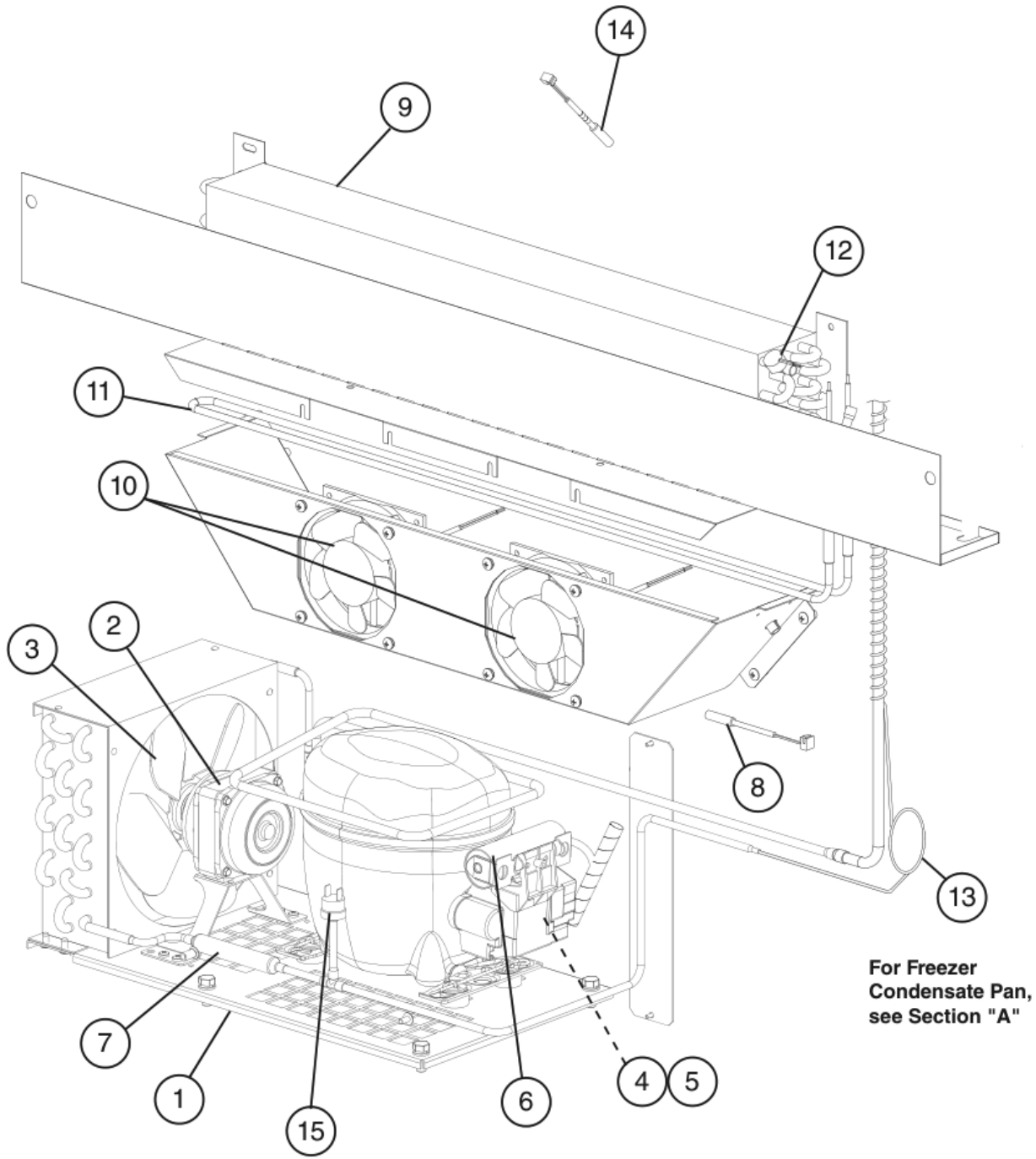
**B. Refrigeration Circuit**  
**UR60, WR60, and SR60 Undercounter, Worktop, and Prep Table**  
 G-5 to L-5



For compressor or condenser replacement, order item 1.

Title: B. Refrigeration Circuit Models: UR60, WR60, and SR60 Undercounter, Worktop, and Prep Table											
Index No.	Description	Material or Model Number	Part Number	Required Number							
				G-5 to H-5 (K)	H-5 (L) to L-5						
1	Condensing Unit (includes compressor, condenser, and items 2 through 8; compressor and condenser are not sold individually)	UC/WT	3A9316-01	1	1						
		Prep Table	3A9313-01	1	1						
2	Condenser Fan Motor		3A6798-01	1	1						
3	Condenser Fan Blade		3A6799-01	1	1						
4	Condensate Pan	UC/WT	3A9478-01	1	1						
5	Duct Bill	UC/WT	SP-5345	1	-						
	Drain Cup		3A9702-01		1						
6	Compressor External Protector	UC/WT	3A9475-01	1	1						
		Prep Table	3A6936-01	1	1						
7	Start Relay	UC/WT	3A9476-01	1	1						
		Prep Table	3A6937-01	1	1						
8	Run Capacitor	UC/WT 12MFD, 250VAC	3A9477-01	1	1						
	Start Capacitor	Prep Table 378-454MFD, 115VAC	3A6938-01	1	1						
9	Drier		4A5576-01	1	1						
10	Cabinet Thermistor	UC/WT/Prep Table	4A4864-02	1	1						
11	Evaporator		2A8513-03	1	1						
12	Evaporator Fan Motor		4A5343-01	2	2						
13	Capillary Tube Replacement Kit	UC/WT/Prep Table L=2184mm	SP-5434	1	1						
14	Defrost Thermistor	Prep Table	4A4865-02	1	1						
15	Defrost Heater	Prep Table	3A6443-06	1	1						
16	Defrost Thermostat	Prep Table	4A5853-01	1	1						
17	High-Pressure Switch	Prep Table	4A6039-01	1	1						

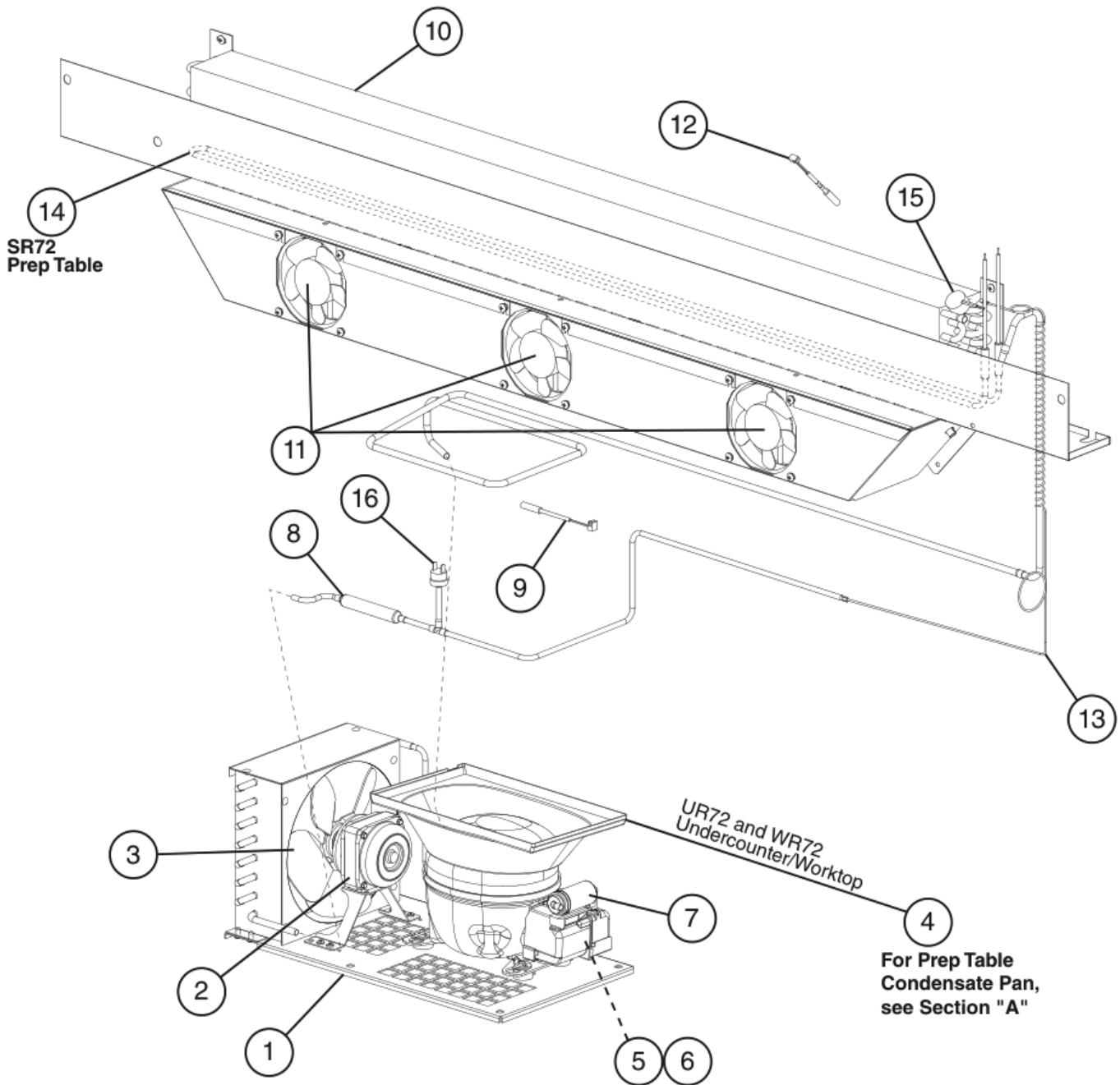
**B. Refrigeration Circuit**  
**UF60 and WF60 Undercounter and Worktop**  
G-5 to L-5



For compressor or condenser replacement, order item 1.

Title: B. Refrigeration Circuit Models: UF60 and WF60 Undercounter and Worktop											
Index No.	Description	Material or Model Number	Part Number	G-5 to L-5	Required Number						
1	Condensing Unit (includes compressor, condenser, and items 2 through 6; compressor and condenser are not sold individually)		3A9313-01	1							
2	Condenser Fan Motor		3A6798-01	1							
3	Condenser Fan Blade		3A6799-01	1							
4	Compressor External Protector		3A6936-01	1							
5	Start Relay		3A6937-01	1							
6	Start Capacitor	378-454MFD, 115VAC	3A6938-01	1							
7	Drier		4A5576-01	1							
8	Cabinet Thermistor		4A4864-02	1							
9	Evaporator		2A8513-03	1							
10	Evaporator Fan Motor		4A5343-01	2							
11	Defrost Heater		3A6443-06	1							
12	Defrost Thermostat		4A5853-01	1							
13	Capillary Tube Replacement Kit	L=1829mm	SP-5435	1							
14	Defrost Thermistor		4A4865-02	1							
15	High-Pressure Switch		4A6039-01	1							

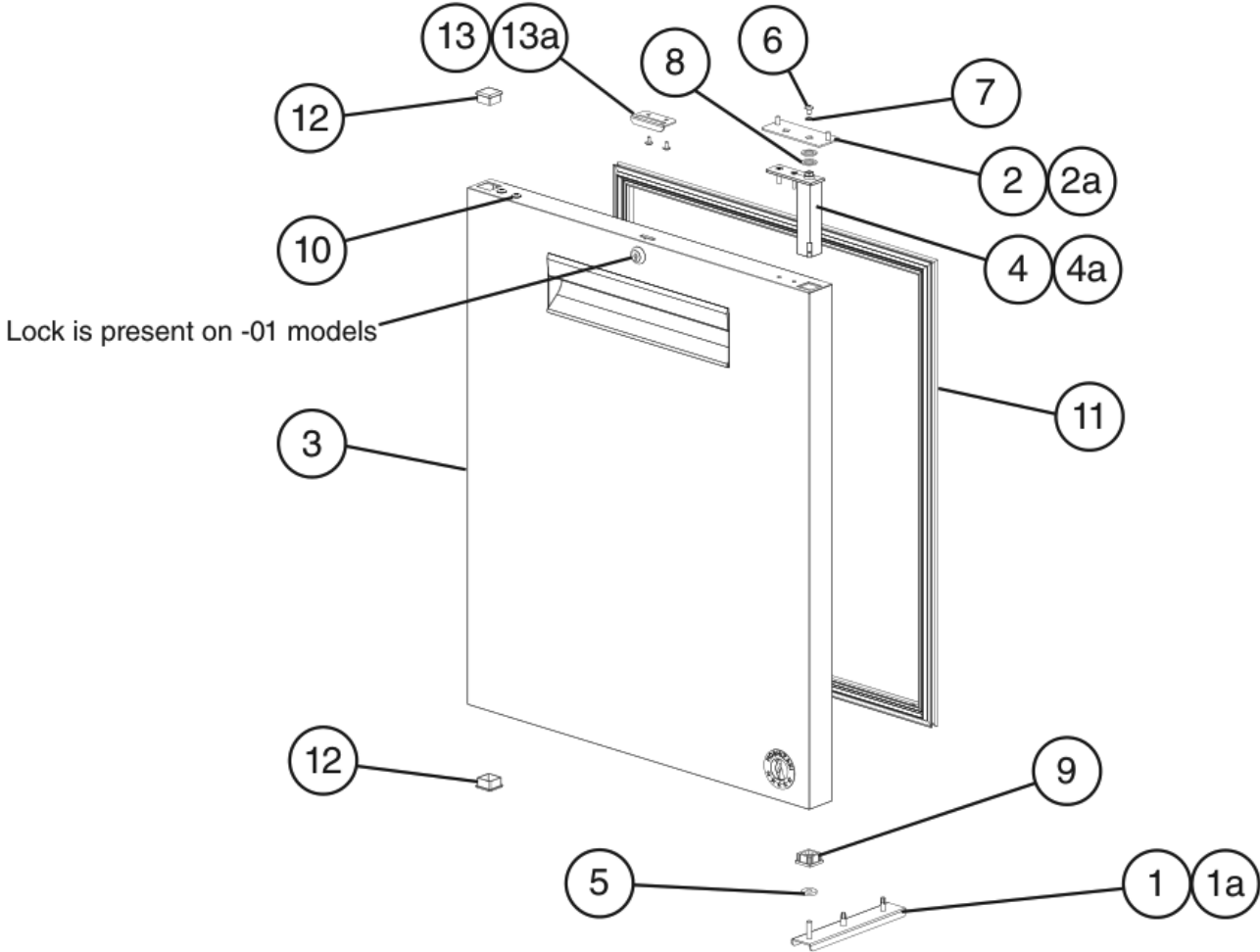
**B. Refrigeration Circuit**  
**UR72, WR72, and SR72 Undercounter, Worktop, Prep Table**  
 G-5 to L-5



For compressor or condenser replacement, order item 1.

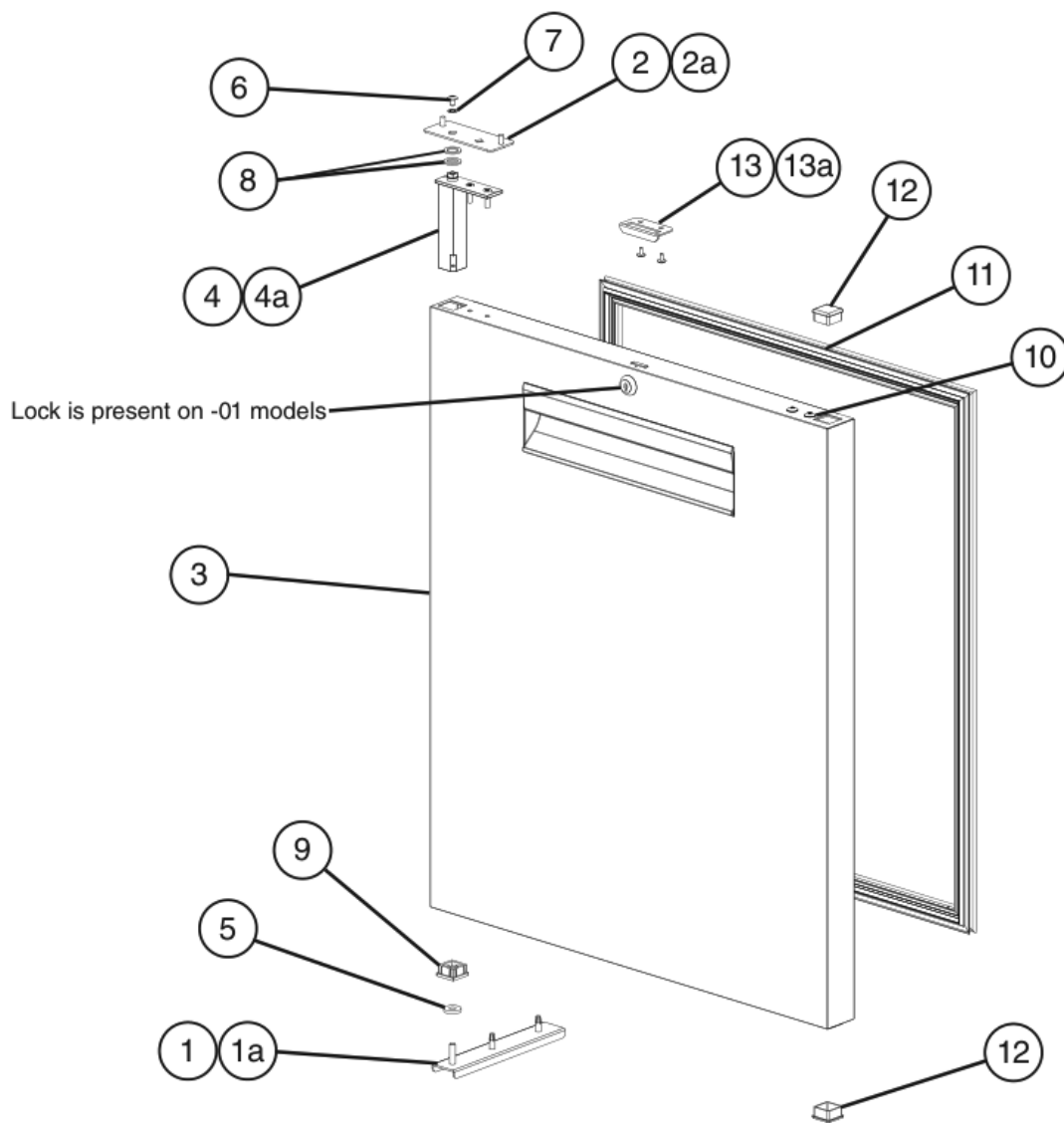
Title: B. Refrigeration Circuit Models: UR72, WR72, and SR72 Undercounter, Worktop, and Prep Table											
Index No.	Description	Material or Model Number	Part Number	G-5 to L-5	Required Number						
1	Condensing Unit (includes compressor, condenser, and items 2 through 7; compressor and condenser are not sold individually)	UC/WT	3A9316-01	1							
		Prep Table	3A9313-01	1							
2	Condenser Fan Motor		3A6798-01	1							
3	Condenser Fan Blade		3A6799-01	1							
4	Condensate Pan	UC/WT	3A9478-01	1							
5	Compressor External Protector	UC/WT	3A9475-01	1							
		Prep Table	3A6936-01	1							
6	Start Relay	UC/WT	3A9476-01	1							
		Prep Table	3A6937-01	1							
7	Run Capacitor	UC/WT 12MFD, 250VAC	3A9477-01	1							
	Start Capacitor	Prep Table 378-454MFD, 115VAC	3A6938-01	1							
8	Drier		4A5576-01	1							
9	Cabinet Thermistor	UC/WT/Prep Table	4A4864-02	1							
10	Evaporator		2A8513-04	1							
11	Evaporator Fan Motor		4A5343-01	3							
12	Capillary Tube Replacement Kit	UC/WT L=3584mm	SP-5437	1							
		Prep Table L=2184mm	SP-5434	1							
13	Defrost Thermister	Prep Table	4A4865-02	1							
14	Defrost Heater	Prep Table	3A6443-07	1							
15	Defrost Safety Thermostat	Prep Table	4A5853-01	1							
16	High-Pressure Switch	Prep Table	4A6039-01	1							

**C. Door-Right Hinged**  
**Undercounter, Worktop, Prep Table**  
G-5 to L-5



Title: C. Door-Right Hinged Models: Undercounter, Worktop, Prep Table											
Index No.	Description	Material or Model Number	Part Number	G-5 to L-5	Required Number						
1	Lower Hinge Bracket		3A6681G01	1							
1a	Hex Head Tapping Bolt	1/4-20x3/4	4A5213-01	2							
2	Upper Hinge Bracket		3A6810-01	1							
2a	Truss Head Screw	5x12, SS	7C32-0512	2							
3	Door Assembly without Locks (includes items 4 through 12)	_R27A and _F27A, (All except -01, -LPW, and -GLP)	2A7322G01	1							
		UR27A-LPW	2A8635G01	1							
		_R36A, _R60A and _F60A UC/WT/Prep Table (All except -01)	2A7328G01	1							
		_R48A, _F48A, and _R72A UC/WT/Prep Table (All except -01)	2A7324G01	1							
	Door Assembly with Locks (includes items 4 through 12)	_R27A-01 and _F27A-01	2A7323G01	1							
		_R36A-01, _R60A-01, and _F60A-01	2A8291G01	1							
_R48A-01, _F48A-01 and _R72A-01		2A7327G01	1								
4	Hinge Spring Cartridge (includes items 5 through 9)		3A9206-01	1							
4a	Countersunk Screw	5x20, SS	7C42-0520	2							
5	Thrust Washer		4A5234-01	1							
6	Screw		4A5230-01	1							
7	Lockwasher		4A5231-01	1							
8	Thrust Washer		4A5233-01	2							
9	Bearing		4A5232-01	1							
10	Truss Head Screw (filler screws)	5x10, SS	7C32-0510	2							
11	Gasket	_R27A and _F27A, UC/WT/Prep Table	2A6996-05	1							
		_R36A, _R60A, and _F60A UC/WT/Prep Table	2A6996-09	1							
		_R48A, _F48A, and _R72A UC/WT/Prep Table	2A6996-06	1							
12	End Cap		4A5432-01	2							
13	Strike Plate for Doors with Locks	-01 UC/WT	4A5493-01	1							
13a	T2 Screw	-01 UC/WT 4x8, SS	7P32-0408	2							

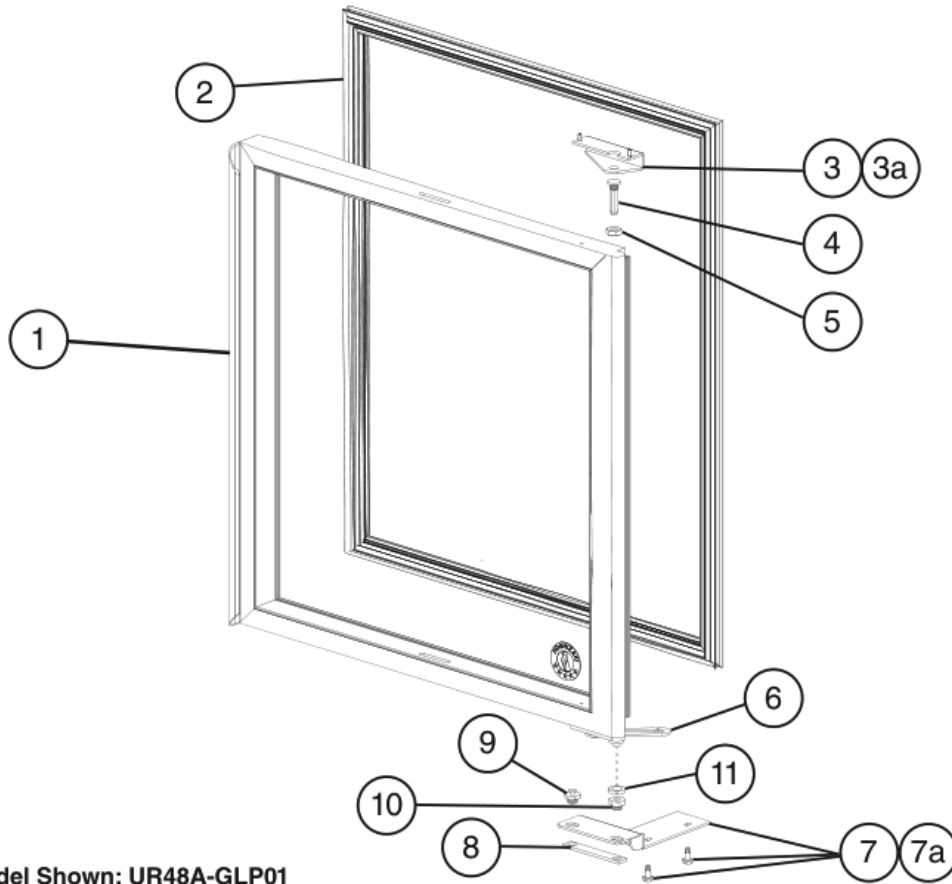
# D. Door-Left Hinged Undercounter, Worktop, Prep Table G-5 to L-5



Title: D. Door-Left Hinged Models: Undercounter, Worktop, Prep Table												
Index No.	Description	Material or Model Number	Part Number	G-5 to L-5	Required Number							
1	Lower Hinge Bracket		<a href="#">3A6681G01</a>	1								
1a	Hex Head Tapping Bolt	1/4-20x3/4	<a href="#">4A5213-01</a>	2								
2	Upper Hinge Bracket		<a href="#">3A6810-01</a>	1								
2a	Truss Head Screw	5x12, SS	<a href="#">7C32-0512</a>	2								
3	Door Assembly without Locks (includes items 4 through 12)	<b>_R48A, _F48A, and _R72A UC/WT/Prep Table (All except -01)</b>	<a href="#">2A7325G01</a>	1								
		<b>_R60 and _F60A UC/WT/Prep Table (All except -01)</b>	<a href="#">2A7329G01</a>	1								
	Door Assembly with Locks (includes items 4 through 12)	<b>_R60A-01 and _F60A-01</b>	<a href="#">2A8293G01</a>	1								
		<b>_R48A-01, _F48A-01, and _R72A-01</b>	<a href="#">2A7326G01</a>	1								
4	Hinge Spring Cartridge (includes items 5 through 9)		<a href="#">3A9206-01</a>	1								
4a	Countersunk Screw	5x20, SS	<a href="#">7C42-0520</a>	2								
5	Thrust Washer		<a href="#">4A5234-01</a>	1								
6	Screw		<a href="#">4A5230-01</a>	1								
7	Lockwasher		<a href="#">4A5231-01</a>	1								
8	Thrust Washer		<a href="#">4A5233-01</a>	2								
9	Bearing		<a href="#">4A5232-01</a>	1								
10	Truss Head Screw (filler screws)	5x10, SS	<a href="#">7C32-0510</a>	2								
11	Gasket	<b>_R48A, _F48A, and _R72A UC/WT/Prep Table</b>	<a href="#">2A6996-06</a>	1								
		<b>_F60A UC/WT/Prep Table</b>	<a href="#">2A6996-09</a>	1								
12	End Cap		<a href="#">4A5432-01</a>	2								
13	Strike Plate for Doors with Locks	<b>-01 UC/WT</b>	<a href="#">4A5493-01</a>	1								
13a	T2 Screw	<b>-01 UC/WT</b> 4x8, SS	<a href="#">7P32-0408</a>	2								

## E. Door-Right Glass Door Hinged Undercounter, Worktop, Prep Table

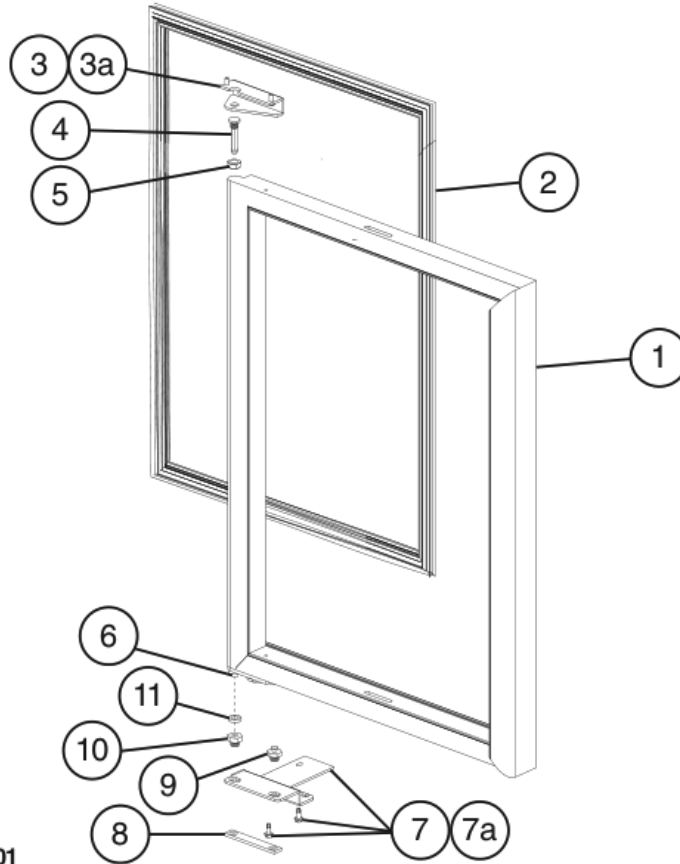
G-5 to L-5



Model Shown: UR48A-GLP01

Title: E. Door-Right Glass Door Hinged Models: Undercounter, Worktop, Prep Table					Required Number								
Index No.	Description	Material or Model Number	Part Number	G-5 to L-5									
1	Door (includes gasket and hinge arm)	UR27A-GLP01	2A8853-03	1									
		UF27A-GLP01	2A8853-04	1									
		UR48A-GLP01 Right Side Hinged Door	2A8852-03	1									
2	Gasket	U_27A-GLP01	4A6448-01	1									
		UR48A-GLP01	4A6449-01	1									
3	Upper Hinge		3A9346-02	1									
3a	Truss Head Screw	5x12, SS	7C32-0512	2									
4	Hinge Pin		3A7946-04	1									
5	Hinge Pin Locknut		3A7946-05	1									
6	Hinge Arm		3A7946-01	1									
7	Lower Hinge		3A9342-01	1									
7a	Hex Head Tapping Bolt	1/4-20x3/4	4A5213-01	2									
8	Backer Plate		3A7946-08	1									
9	Slide Pin		3A7946-11	1									
10	Hinge Bushing		3A7946-09	1									
11	Nylon Washer		3A7946-10	1									

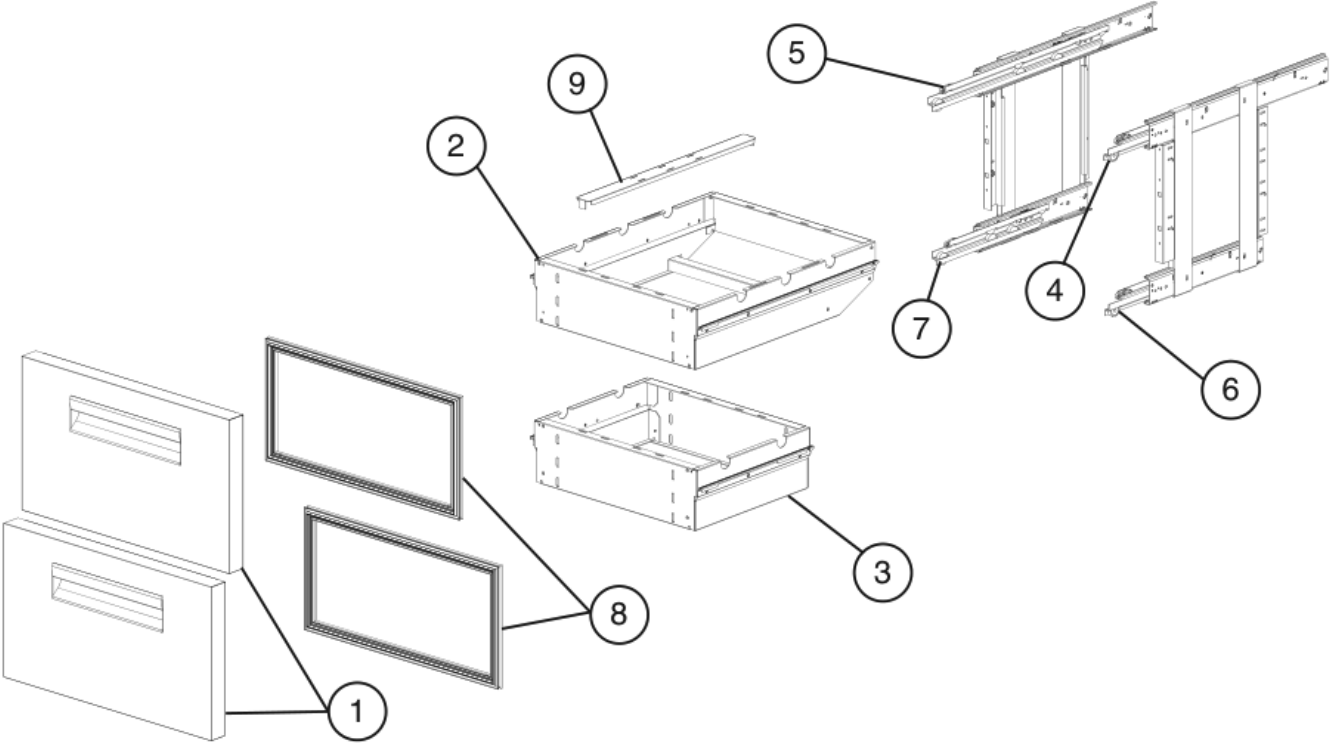
**F. Door-Left Glass Door Hinged**  
**Undercounter, Worktop, Prep Table**  
 G-5 to L-5



Model Shown: UR48A-GLP01

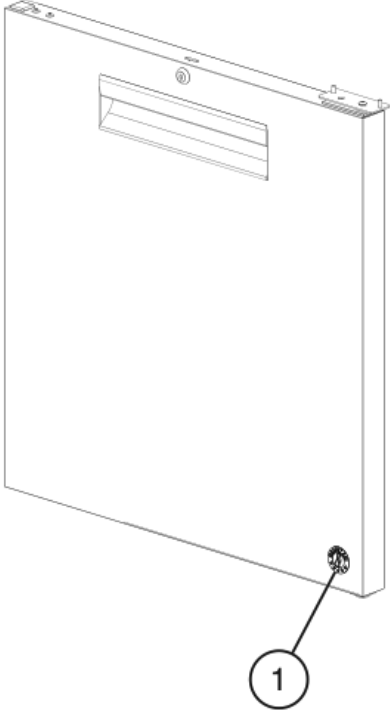
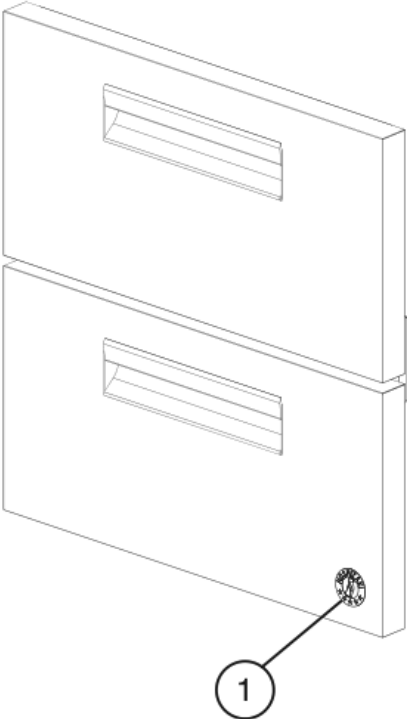
Title: F. Door-Left Glass Door Hinged Models: Undercounter, Worktop, Prep Table																		
Index No.	Description	Material or Model Number	Part Number	Required Number														
				G-5 to L-5														
1	Door (includes gasket and hinge arm)	UR48A-GLP01 Left Side Hinged Door	2A8852-01	1														
2	Gasket	UR48A-GLP01	4A6449-01	1														
3	Upper Hinge		3A9346-01	1														
3a	Truss Head Screw	5x12, SS	7C32-0512	2														
4	Hinge Pin		3A7946-04	1														
5	Hinge Pin Locknut		3A7946-05	1														
6	Hinge Arm		3A7946-01	1														
7	Lower Hinge		3A9342-02	1														
7a	Hex Head Tapping Bolt	1/4-20x3/4	4A5213-01	2														
8	Backer Plate		3A7946-08	1														
9	Slide Pin		3A7946-11	1														
10	Hinge Bushing		3A7946-09	1														
11	Nylon Washer		3A7946-10	1														

**G. Drawer**  
**Undercounter, Worktop, Prep Table (-D)(-D2)(-D4)(-D6)**  
G-5 to L-5



Title: G. Drawer Models: Undercounter, Worktop, Prep Table											
Index No.	Description	Material or Model Number	Part Number	Required Number							
				G-5 to J-5(B)	J-5(C) to L-5						
1	Drawer Face	_R27A-xx(M(D2)), and _F27A-D2 UC/WT/Prep Table	<a href="#">2A7510G01</a>	2	2						
		_R48A-xx(M(Dx)), _F48A-D4, and _R72A-xx(M(Dx)) UC/WT/Prep Table	<a href="#">2A7511G01</a>	2	2						
		_R60A-xx(M(Dx)) UC/WT/Prep Table	<a href="#">2A7512G01</a>	2	2						
2	Upper Drawer Box	_R27A-xx(M(D2)), and _F27A-D2 UC/WT/Prep Table	<a href="#">3A9501G01</a>	1	1						
		_R48A-xx(M(Dx)), _F48A-D4, and _R72A-xx(M(Dx)) UC/WT/Prep Table	<a href="#">3A9500G01</a>	1	1						
		_R60A-xx(M(Dx)) UC/WT/Prep Table	<a href="#">3A9502G01</a>	1	1						
3	Lower Drawer Box	_R27A-xx(M(D2)), and _F27A-D2 UC/WT/Prep Table	<a href="#">3A8185G01</a>	1	1						
		_R48A-xx(M(Dx)), _F48A-D4, and _R72A-xx(M(Dx)) UC/WT/Prep Table	<a href="#">3A8191G01</a>	1	1						
		_R60A-xx(M(Dx)) UC/WT/Prep Table	<a href="#">3A8294G01</a>	1	1						
4	Upper Right Slide Roller		<a href="#">4A6146-02</a>	1	1						
5	Upper Left Slide Roller		<a href="#">4A6147-02</a>	1	1						
6	Lower Right Slide Roller		<a href="#">4A5663-02</a>	1	1						
7	Lower Left Slide Roller		<a href="#">4A5664-02</a>	1	1						
8	Gasket	_R27A-xx(M(D2)), and _F27A-D2 UC/WT/Prep Table	<a href="#">2A5192-15</a>	2	2						
		_R48A-xx(M(Dx)), _F48A-D4, and _R72A-xx(M(Dx)) UC/WT/Prep Table	<a href="#">2A5192-17</a>	2	2						
		_R60A-xx(M(Dx)) UC/WT/Prep Table	<a href="#">2A5192-16</a>	2	2						
9	Upper Drawer Divider	_R27A-xx(M(D2)), _F27A-D2, and _R60A-xx(M(Dx)) UC/WT/Prep Table	<a href="#">3A9645-01</a>		1						
		_R48A-xx(M(Dx)), _F48A-D4, and _R72A-xx(M(Dx)) UC/WT/Prep Table	<a href="#">3A9645-02</a>		1						

**H. Accessories & Labels**  
**Undercounter, Worktop, Prep Table**  
G-5 to L-5



Title: H. Accessories & Labels    Models: Undercounter, Worktop, Prep Table												
Index No.	Description	Material or Model Number	Part Number	G-5 to L-5	Required Number							
1	Penguin Label		475552L01	1								
2	4" Caster Kit (includes items 3 and 4)	HS-5035 UC	4A5434A01	1								
	2" Caster Kit (includes items 3, 4, and 4a)	HS-5037 UC Low Profile	4A5436A01	1								
	6" Caster Kit (includes items 3 and 4)	HS-5036 WT/Prep Table	4A5435A01	1								
3	4" Non-Locking Caster	UC	4A5427-01	2								
	2" Non-Locking Caster	UC Low Profile	4A5429-01	2								
	6" Non-Locking Caster	WT/Prep Table	4A5428-01	2								
4	4" Locking Caster	UC	4A5427-02	2								
	2" Locking Caster	UC Low Profile	4A5429-02	2								
	6" Locking Caster	WT/Prep Table	4A5428-02	2								
4a	Wrench	UC Low Profile	4A5492-01	1								
4b	Caster Bracket	_R48A-(xxxxx) and _F48A-(xxxxx) UC/WT/Prep Table	3A9099-01	2								
<b>Prep Table Specific Parts</b>												
5	1/6 Size Pan, 4" Depth	-8	1000000344	8								
		-10		10								
		-16		16								
		-15M		15								
		-12, -12M, -12D(x)		12								
		-18, -18M, 18MD(x)		18								
		-24M, -24MD2		24								
		-30M, -30MD(x)		30								
6	Cutting Board	SR27A-8(Dx) and SR27A-12(M(Dx))	3A4894-09	1								
		SR36A-10(-15M)	3A4894-15	1								
		SR48A-xx(M(Dx))	3A4894-10	1								
		SR60A-xx(M(Dx))	3A4894-13	1								
		SR72A-xx(M(Dx))	3A4894-14	1								